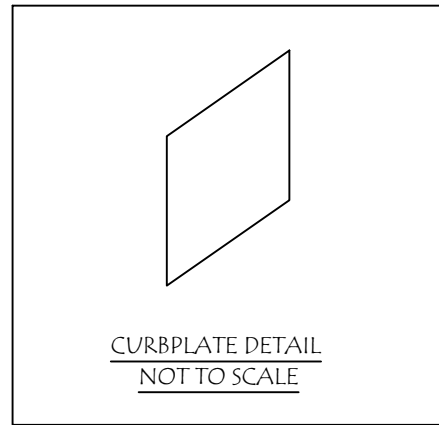
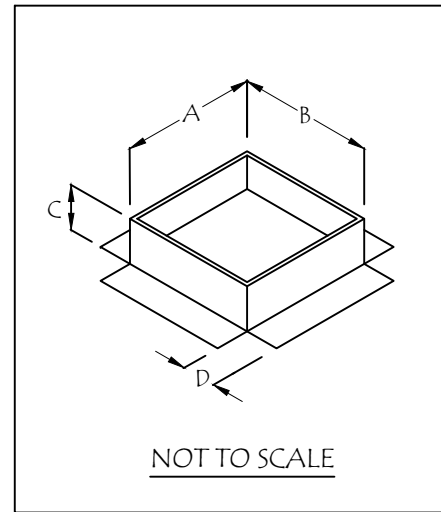


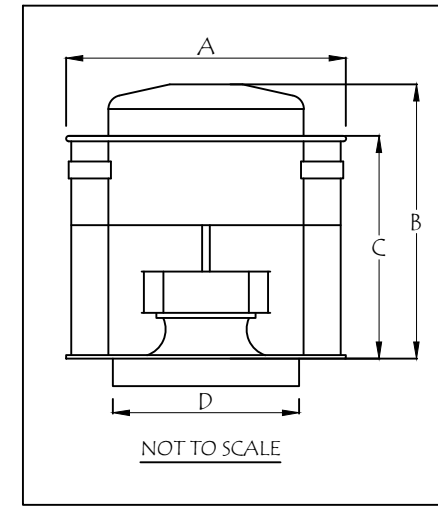
DUCTWORK DETAIL
NOT TO SCALE



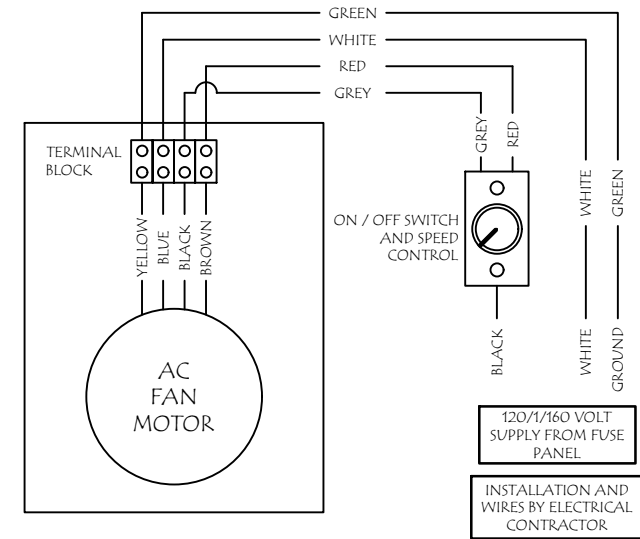
CURBPLATE DETAIL
NOT TO SCALE



NOT TO SCALE



NOT TO SCALE



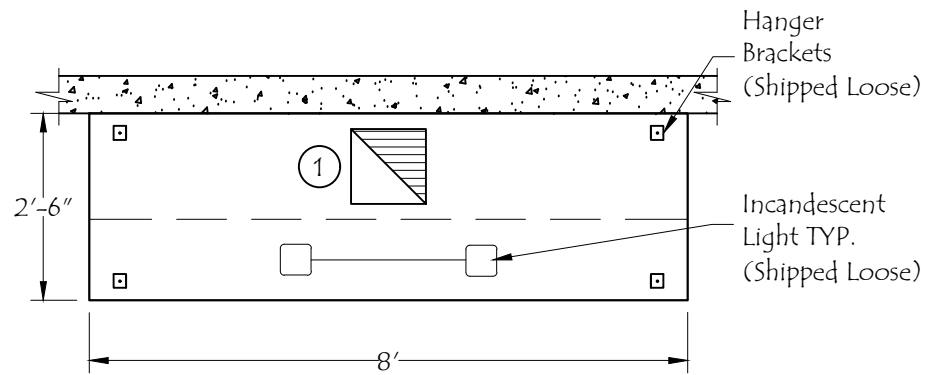
VARIABLE SPEED CONTROL DIAGRAM
NOT TO SCALE

DUCTWORK				
A	B	C	D	QTY.
12"	12"	12"	1"	1

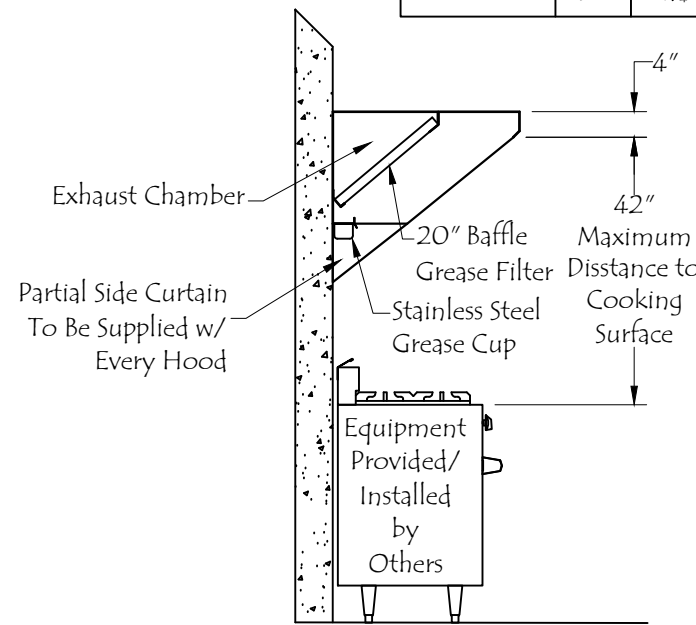
CURBPLATE		
WIDTH	LENG.	QTY.
18"	18"	1

FAN MODEL	A	B	C	D
20D	17½"	17½"	2"	4"

FAN MODEL	A	B	C	D	WT. LBS.
20D	26"	19¼"	16½"	19" SQ.	72 LBS.



PLAN VIEW
SCALE: 3/8"=1'-0"



SIDE VIEW
SCALE: 3/8"=1'-0"

*IT IS THE RESPONSIBILITY OF THE ARCHITECT/OWNER TO ENSURE THAT THE HOOD CLEARANCE FROM LIMITED-COMBUSTIBLE MATERIALS IS IN COMPLIANCE WITH LOCAL CODE REQUIREMENTS

ALL EQUIPMENT IS UL LISTED COMPONENTS
HOODMART HOODS ARE BUILT IN COMPLIANCE WITH : NFPA #96 & UL710
AND ARE RECOGNIZED BY ONE OR MORE OF THE FOLLOWING:
- NSF INTERNATIONAL -UL

HOOD NO.	MODEL	LENGTH	MAX. COOKING TEMP.	① EXHAUST PLENUM					② SUPPLY PLENUM					HOOD CONSTRUCTION	
				TOTAL EXH. CFM	RISER(S)				TOTAL SUP. CFM	RISER(S)					
					WIDTH	LENG.	QTY.	CFM		S.P.	WIDTH	LENG.	QTY.		CFM
1	EXSS008C 8X30	96" NOM 96" OD	700 Deg.	1600	12"	12"	1	1600	.375"	-	-	-	-	-	STAINLESS STEEL

HOOD NO.	FILTER(S)				LIGHT(S)			UTILITY CABINET(S)				EST. HOOD WEIGHT	
	TYPE	QTY.	HEIGHT	LENGTH	TYPE	QTY.	WIRE GUARD	FIRE SYSTEM		ELECTRICAL MODEL #	SWITCHES		
								TYPE	SIZE		QUANTITY		LOCATION
1	S.S. BAFFLE W/ HANDLES	1	20"	16"	INCANDESCENT LIGHT	2	NO	--	--	--	--	--	200 LBS.

FAN UNIT NO.	FAN UNIT MODEL #	EXHAUST FAN									SUPPLY FAN									
		MODEL	TAG	CFM	S.P.	RPM	H.P.	Ø	VOLT	FLA	BLOWER	HOUSING	TAG	CFM	S.P.	RPM	H.P.	Ø	VOLT	FLA
1	20D EF-1	20D	EF-1	1600	.375"	1680	1/4	1	115	2.6										
2																				



REVISIONS						REMARKS
REV	DATE	DRWN BY	APP'D BY	SCALE	AS NOTED	
-	-	-	-	-	-	

HOODMART. YOUR ONE STOP HOOD SHOP	
172 REASER COURT ELYRIA, OHIO 44035	TOLL FREE : 1-800-715-1014 FAX: 1-800-716-1214
EQUIPMENT SCHEDULE	
CONCESSION CANOPY	
CONTRACT NO. -	ITEM NO. -
JOB: -	LOC: -
CUST: -	CUST#: -

DATE -	SCALE -	AS NOTED
DRAWN BY -	APPROVED BY -	

DWG#11909

SHT -
OF -