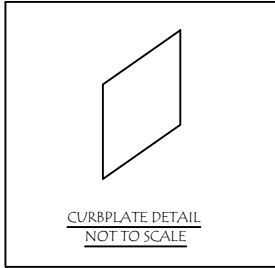
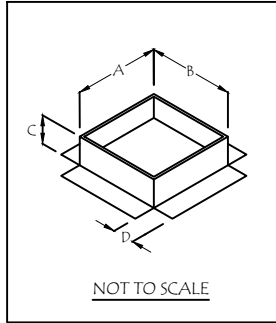


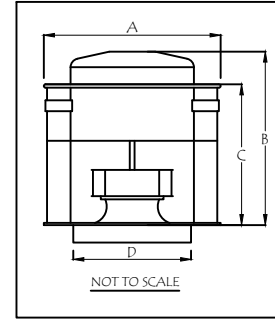
DUCTWORK				
A	B	C	D	QTY.
10"	10"	12"	1"	2



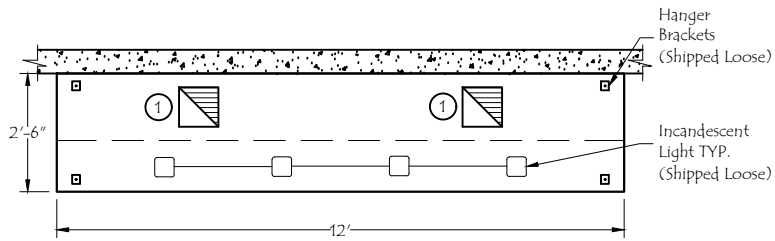
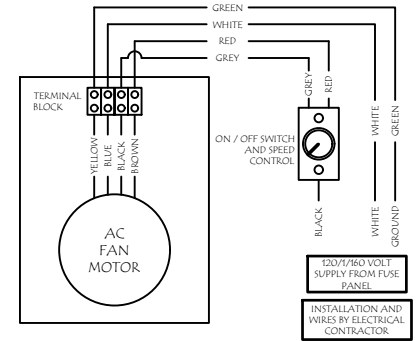
CURBPLATE		
WIDTH	LENG.	QTY.
18"	18"	2



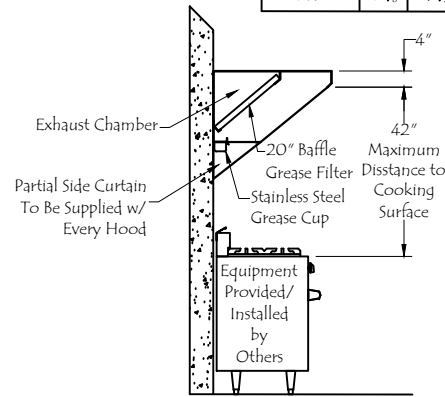
FAN MODEL	A	B	C	D	QTY
20D	17 1/2"	17 1/2"	2"	4"	2



FAN MODEL	A	B	C	D	QTY	WT. LBS.
20D	26 1/2"	19 1/2"	16 1/2"	19" SQ.	2	60 LBS.



PLAN VIEW
SCALE: 3/8"=1'-0"



SIDE VIEW
SCALE: 3/8"=1'-0"

"IT IS THE RESPONSIBILITY OF THE ARCHITECT/OWNER TO ENSURE THAT THE HOOD CLEARANCE FROM LIMITED-COMBUSTIBLE MATERIALS IS IN COMPLIANCE WITH LOCAL CODE REQUIREMENTS"

"ALL EQUIPMENT IS UL LISTED COMPONENTS"

HOODMART HOODS ARE BUILT IN COMPLIANCE WITH : NFPA #96 & UL710

AND ARE RECOGNIZED BY ONE OR MORE OF THE FOLLOWING: - NSF INTERNATIONAL - UL



HOOD NO.	MODEL	LENGTH	MAX. COOKING TEMP.	EXHAUST PLENUM				SUPPLY PLENUM				HOOD CONSTRUCTION			
				TOTAL EXH. CFM	RISER(S)			TOTAL SUP. CFM	RISER(S)						
				WIDTH	LENG.	QTY.	CFM	S.P.	WIDTH	LENG.	QTY.	CFM	S.P.		
1	EXSS012C 12X30	144" NOM 144" OD	700 Deg.	2400	10"	10"	2	1200	.375"	-	-	-	-	-	STAINLESS STEEL

HOOD NO.	FILTER(S)			LIGHT(S)			UTILITY CABINET(S)				EST. HOOD WEIGHT		
	TYPE	QTY.	HEIGHT	LENGTH	TYPE	QTY.	WIRE GUARD	FIRE SYSTEM		ELECTRICAL MODEL #		SWITCHES	
									TYPE	SIZE	QUANTITY	LOCATION	
1	S.S. BAFFLE W/ HANDLES	4	20"	16"	INCANDESCENT LIGHT	4	NO	--	--	--	--	--	250 LBS.

FAN UNIT NO.	FAN UNIT MODEL #	EXHAUST FAN								SUPPLY FAN										
		MODEL	TAG	CFM	S.P.	RPM	H.P.	Ø	VOLT	FLA	BLOWER	HOUSING	TAG	CFM	S.P.	RPM	H.P.	Ø	VOLT	FLA
1	20D EF-1	20D	EF-1	1200	.375"	1680	1/4	1	115	2.6										
2	20D EF-2	20D	EF-2	1200	.375"	1680	1/4	1	115	2.6										

REVISIONS			
REV.	DATE	BY	REMARKS
B	5/21/20	TEAM	CHANGE FAN TYPE AND QTY. ADD DUCT

HOODMART
 172 READER COURT
 ELYRIA, OHIO 44025
 TOLL FREE: 1-800-776-3034
 FAX: 1-800-776-0244

EQUIPMENT SCHEDULE
 CONCESSION CANOPY
 CONTRACT NO. - ITEM NO. -
 JOB: -
 LOC: -
 CUST: -
 CUST#: -

DATE	SCALE	AS NOTED	DWG# 11917	SHT
DRAWN BY	APPROVED BY			OF -