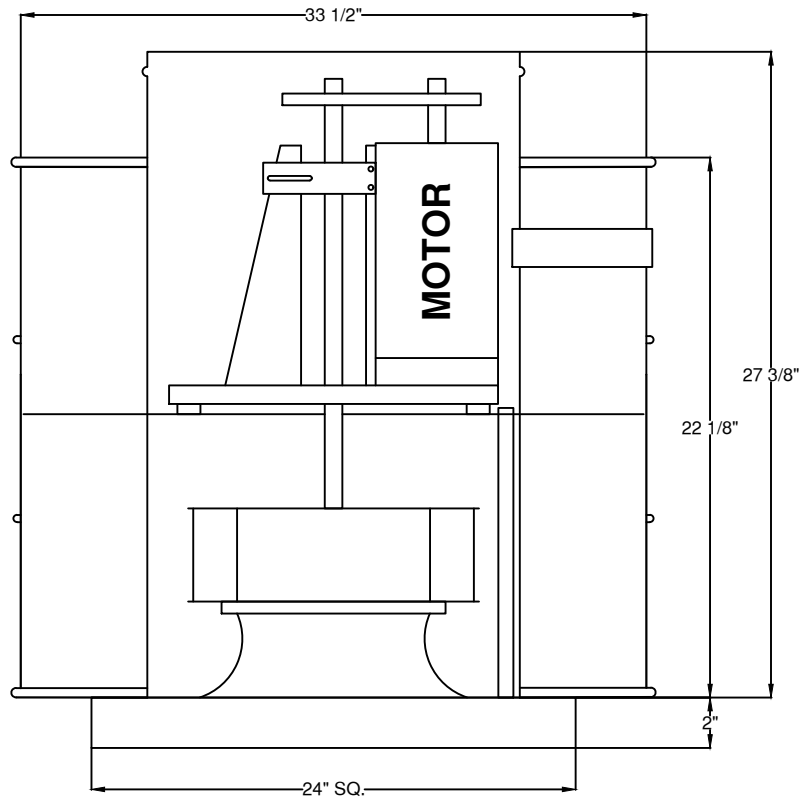
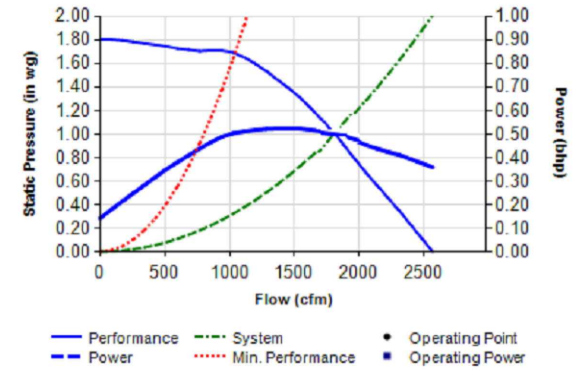


MODEL# **28BS**

UL762 UPBLAST EXHAUST FAN BELT DRIVE



DIMENSIONAL DATA
22 1/2" SQ. CURB



PERFORMANCE DATA

PHASE	1	VOLTS	115/230
AMPS	11.0/5.5	HP	3/4

RPM	.000" S.P.		.250" S.P.		.50" S.P.		.75" S.P.		1.00" S.P.		1.25" S.P.		1.50" S.P.		1.50" S.P.		2.00" S.P.	
	CFM	Sone	CFM	Sone	CFM	Sone	CFM	Sone	CFM	Sone	CFM	Sone	CFM	Sone	CFM	Sone	CFM	Sone
1551	2229	16.3	2016	16.2	1788	15.4	1577	13.7	1333	13.2	-	-	-	-	-	-	-	-
1785	2565	19.6	2381	17.6	2187	18.6	1993	17.6	1810	16.8	1599	16.1	1320	14.7	-	-	-	-
2055	2953	25.0	2793	21.0	2630	23.0	2457	22.0	2291	21.0	2132	19.5	1957	18.9	1772	18.3	1507	18.3

STANDARD FEATURES

HEAVY GAUGE ALUMINUM HOUSING
1 YEAR LIMITED WARRANTY ON ALL ELECTRIC MOTORS
FACTORY SET DRIVE
BELT DRIVEN MOTORS ARE ENCLOSED IN WEATHER-TIGHT COMPARTMENTS
AVERAGE UNIT WEIGHT: 101 LBS
AVERAGE SHIPPING WEIGHT: 137 LBS
MEETS 2009 IBC:SEISMIC



LISTED

FANS

UL 762

14022 1/20