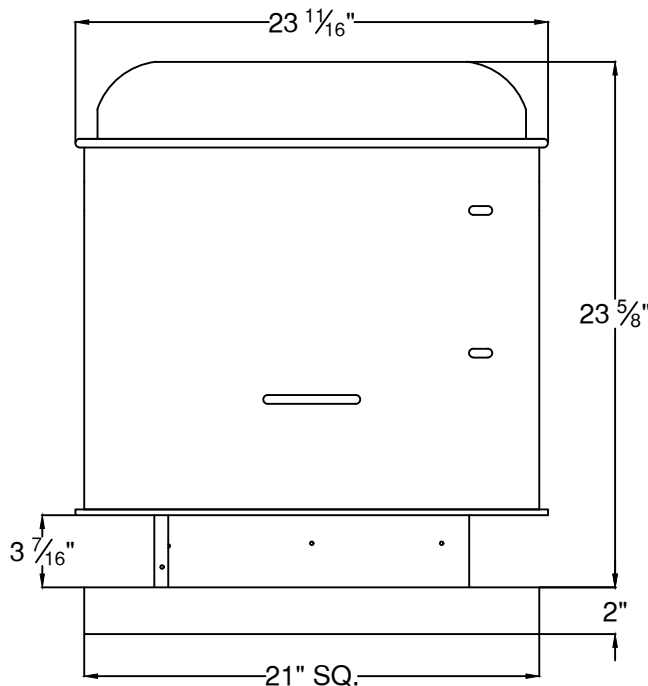
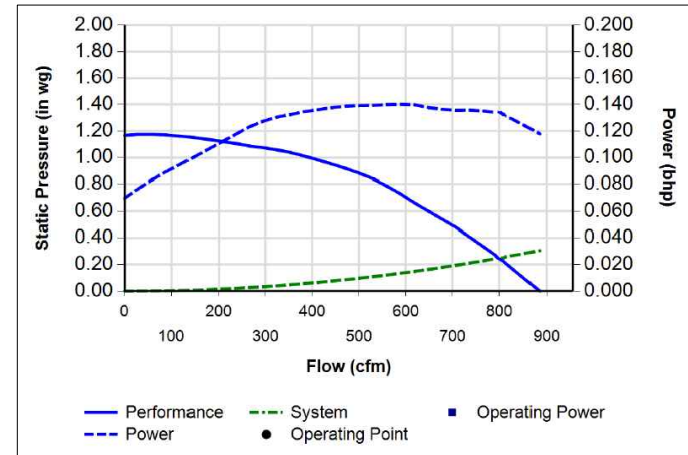


MODEL # 10B-DB

**UL705 DOWNBLAST EXHAUST FAN
BELT DRIVE**



DIMENSIONAL DATA
19 1/2" SQ. CURB



**PERFORMANCE
DATA**

PHASE	1	VOLTS	115
AMPS	3	HP	1/4

RPM	.000" S.P.		.125" S.P.		.250" S.P.		.375" S.P.		.50" S.P.		.625" S.P.		.750" S.P.		.875" S.P.		1.000" S.P.	
	CFM	Sone	CFM	Sone	CFM	Sone	CFM	Sone	CFM	Sone	CFM	Sone	CFM	Sone	CFM	Sone	CFM	Sone
1915	945	11.5	905	11.2	776	9.1	724	8.9	668	8.9	606	9.3	543	8.5	454	8.3	319	8.4

STANDARD FEATURES

- LIFTING POINTS LOCATED ON MOTOR BASE FRAME
- VIBRATION ISOLATION
- ALUMINUM BIRD SCREEN
- CONDUIT POST THROUGH BASE'S CURB CAP
- BACKWARD INCLINED NON-OVERLOADING ALUMINUM WHEEL
- 5 YEAR WARRANTY-MAINTENANCE FREE BEARINGS-PATENTED STEEL SHAFT-RATED AT L-50 LIFE OF 200000 HOURS
- VARIABLE PITCH DRIVES DESIGNED FOR 1.5 SERVICE FACTOR
- NEMA 1 DISCONNECTED SWITCH MOUNTED & WIRED
- MOTOR BEARINGS ARE PERMANENTLY LUBRICATED
- 2 YEAR FAN/MOTOR WARRANTY
- AVERAGE UNIT WEIGHT: 77 LBS
- AVERAGE SHIPPING WEIGHT: 82 LBS



LISTED

FANS
UL 705

14033 2/20