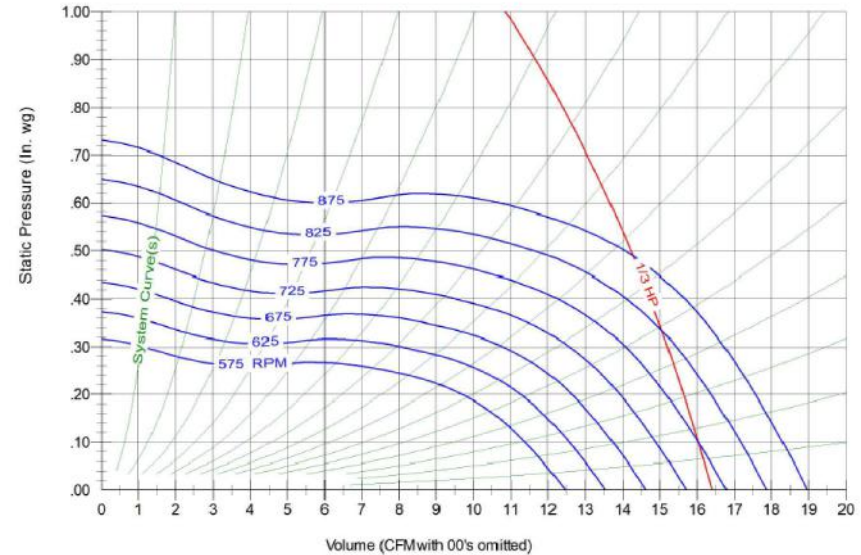
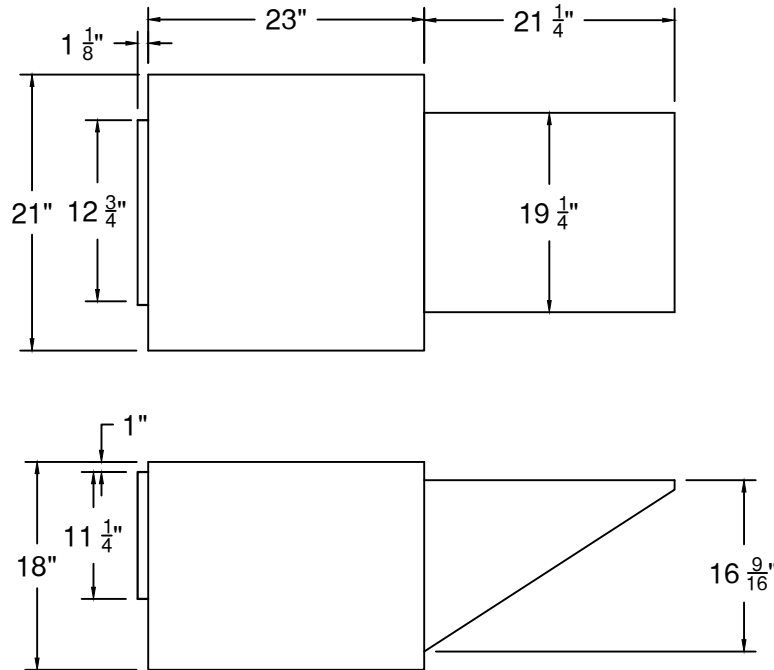


PERFORMANCE DATA

MODEL # SFI5

UL705 FRESH AIR SUPPLY FAN INLINE BELT



PHASE	1	VOLTS	115/230
AMPS		HP	1/3

RPM	0"		.125"		.250"		.375"		.5"		.750"		1"	
	CFM	SONE	CFM	SONE	CFM	SONE	CFM	SONE	CFM	SONE	CFM	SONE	CFM	SONE
573	1240	3.8	1100	3.3	760	2.5								
632	1367	4.7	1245	4.1	1055	3.6								
684	1480	5.6	1370	5.1	1215	4.6	820	3.8						
739	1600	6.6	1500	6.1	1375	5.6	1138	5.1						

STANDARD FEATURES

- FLEXIBLE FORWARD CURVED BELT DRIVE BLOWERS
- OPERATE AT LOW SPEED AND LOW NOISE LEVELS
- GALVANIZED STEEL HOUSING
- HEAVY DUTY BALL BEARINGS SUITABLE FOR -65° TO +250° F
- WEATHER PROOF CABINET DESIGNED FOR OUTDOOR ROOF MOUNTING
- FILTERS DESIGNED WITH LARGE SURFACE AREA FOR EFFICIENT FILTRATION
- WASHABLE ALUMINUM MESH FILTER ARE LOCATED IN THE INTAKE HOOD AND ARE ACCESSIBLE THROUGH THE HOOD END CAP FOR EASE OF SERVICE
- EASY ON-SITE ADDITION OF CUSTOMER SUPPLIED AIR SUPPLY DUCT
- EXTENSION BETWEEN THE INTAKE HOOD AND UNIT PROVIDES ADDITIONAL SEPARATION WHERE NECESSARY
- AVERAGE UNIT WEIGHT: 95 LBS
- AVERAGE SHIPPING WEIGHT: 172 LBS

