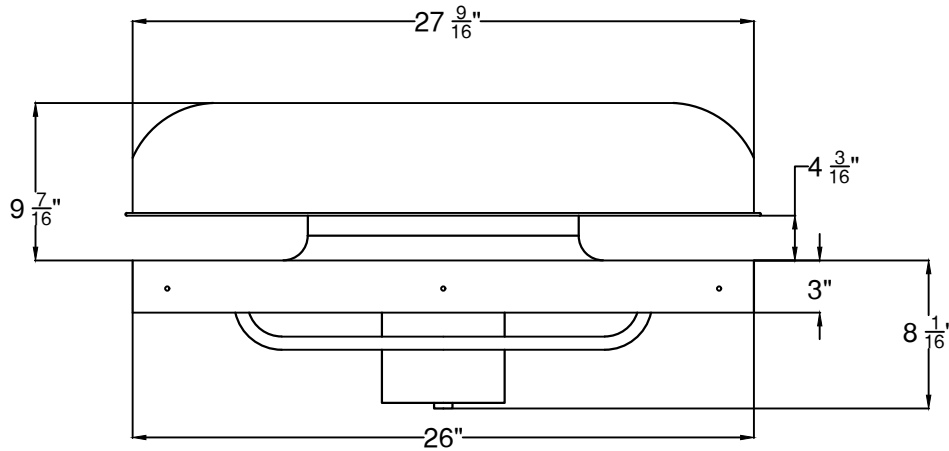
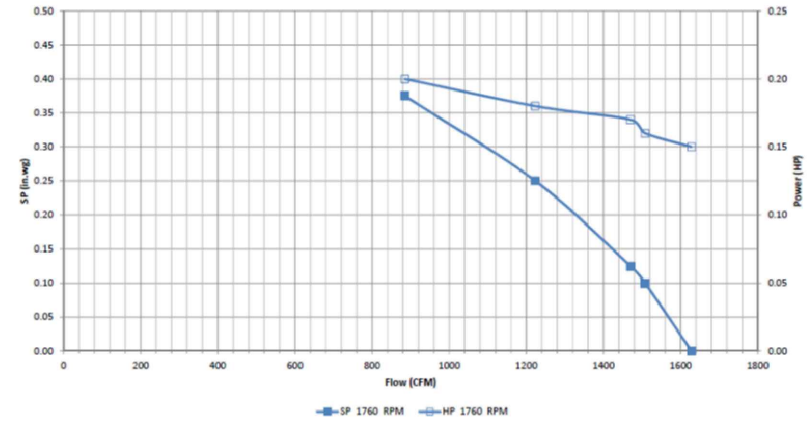


**MODEL # SF5-DB**

**UL705 DIRECT DRIVE ECONOMY  
ROOF SUPPLY FAN**



**DIMENSIONAL DATA  
24 1/2" ROUGH OPENING**



**PERFORMANCE DATA**

<b>PHASE</b>	1	<b>VOLTS</b>	115
<b>AMPS</b>	5.8	<b>HP</b>	1/4

RPM	.000" S.P.	.125" S.P.	.250" S.P.	.375" S.P.	.500" S.P.	.750" S.P.	1.000" S.P.
	CFM	CFM	CFM	CFM	CFM	CFM	CFM
1760	1630	1460	1235	875	-	-	-

**STANDARD FEATURES**

- HEAVY GAUGE STEEL FRAME/ORIFICE COATED WITH ACME SEAL
- POWDER COATING CHARCOAL GRAY
- ALUMINUM BLADED PROPELLER NON-OVERLOADING LOW NOISE LEVEL DESIGN
- MOTOR BEARINGS ARE PERMANENTLY LUBRICATED
- 2 YEAR FAN/MOTOR WARRANTY
- AVERAGE UNIT WEIGHT: 56 LBS
- AVERAGE SHIPPING WEIGHT: 57 LBS



**LISTED**

FANS

**UL 705**

14072 6/20