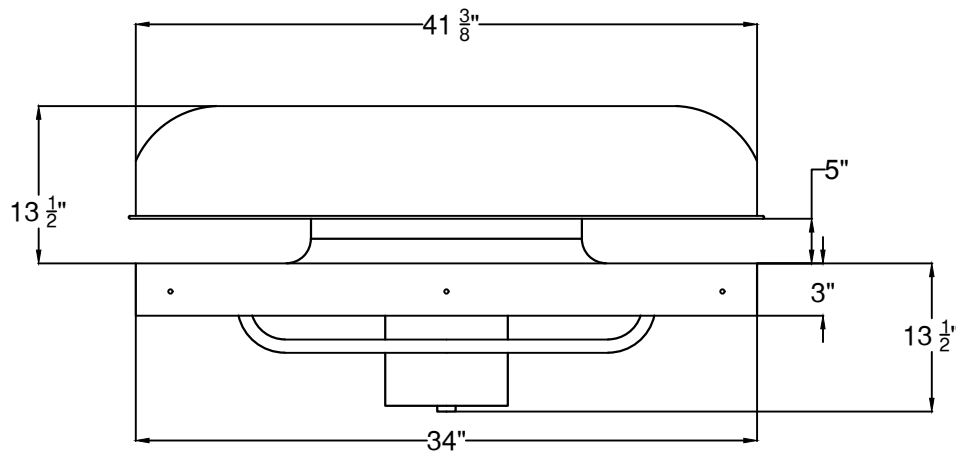
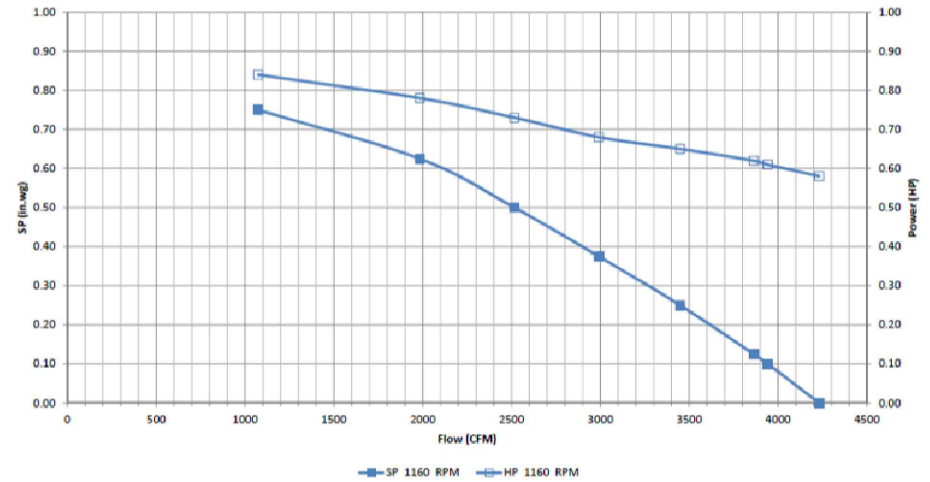


MODEL # SF8-DB

**UL705 DIRECT DRIVE ECONOMY
ROOF SUPPLY FAN**



DIMENSIONAL DATA
29 1/2" ROUGH OPENING



PERFORMANCE DATA

PHASE	1	VOLTS	230
AMPS	6.9	HP	3/4

RPM	.000" S.P.	.125" S.P.	.250" S.P.	.375" S.P.	.500" S.P.	.750" S.P.	1.000" S.P.
	CFM	CFM	CFM	CFM	CFM	CFM	CFM
1160	4235	3850	3430	3000	2535	1055	-

STANDARD FEATURES

- HEAVY GAUGE STEEL FRAME/ORIFICE COATED WITH ACME SEAL
- POWDER COATING CHARCOAL GRAY
- ALUMINUM BLADED PROPELLER NON-OVERLOADING LOW NOISE LEVEL DESIGN
- MOTOR BEARINGS ARE PERMANENTLY LUBRICATED
- 2 YEAR FAN/MOTOR WARRANTY
- AVERAGE UNIT WEIGHT: 177 LBS
- AVERAGE SHIPPING WEIGHT: ?? LBS



LISTED

FANS

UL 705

14074 6/20