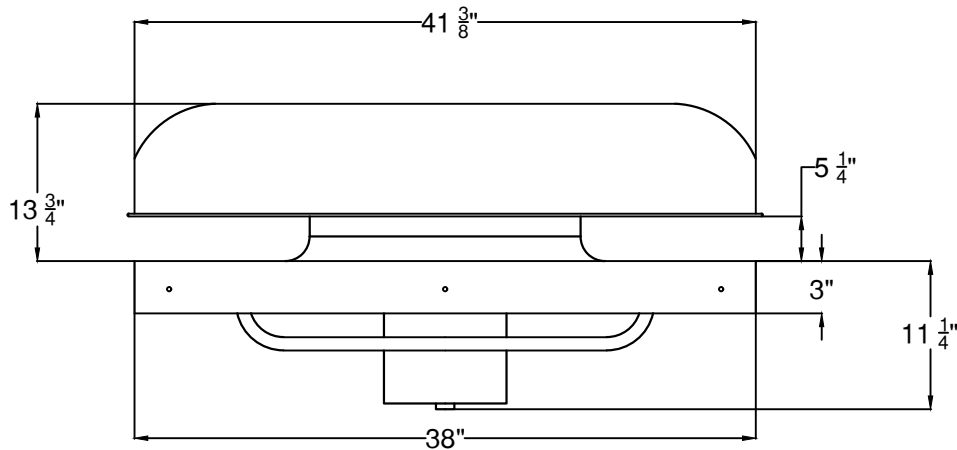
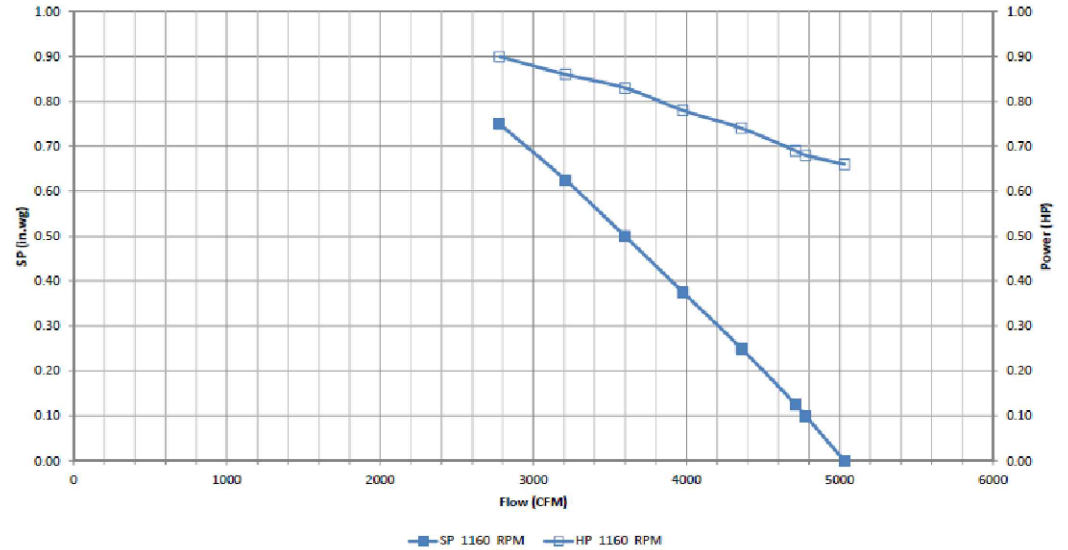


**MODEL # SF9-DB**

**UL705 DIRECT DRIVE ECONOMY  
ROOF SUPPLY FAN**



**DIMENSIONAL DATA**  
**32 1/2" ROUGH OPENING**



**PERFORMANCE DATA**

<b>PHASE</b>	1	<b>VOLTS</b>	115/208
<b>AMPS</b>	13.8/7.6	<b>HP</b>	3/4

RPM	.000" S.P.	.125" S.P.	.250" S.P.	.375" S.P.	.500" S.P.	.750" S.P.	1.000" S.P.
	CFM	CFM	CFM	CFM	CFM	CFM	CFM
1160	5030	4720	4360	3950	3580	2800	-

**STANDARD FEATURES**

- HEAVY GAUGE STEEL FRAME/ORIFICE COATED WITH ACME SEAL POWDER COATING CHARCOAL GRAY
- ALUMINUM BLADED PROPELLER NON-OVERLOADING LOW NOISE LEVEL DESIGN
- MOTOR BEARINGS ARE PERMANENTLY LUBRICATED
- 2 YEAR FAN/MOTOR WARRANTY
- AVERAGE UNIT WEIGHT: 161 LBS
- AVERAGE SHIPPING WEIGHT: 187 LBS



**LISTED**

FANS

**UL 705**

14075 7/20