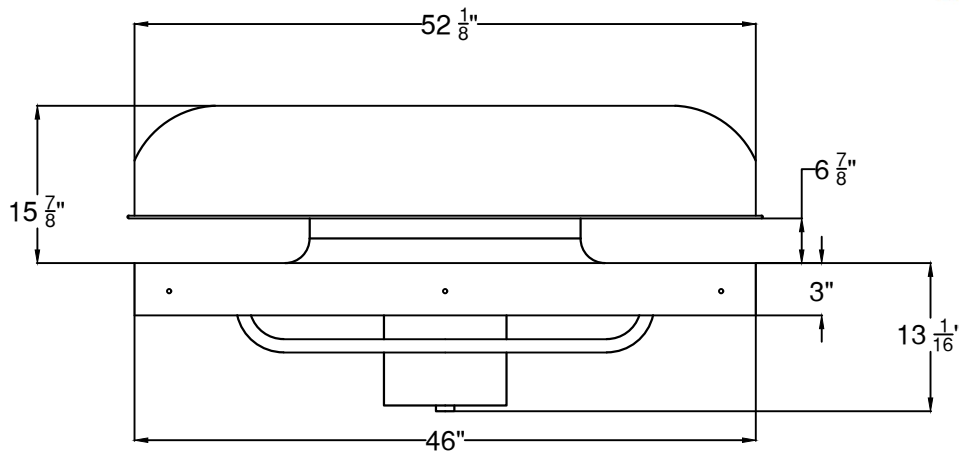
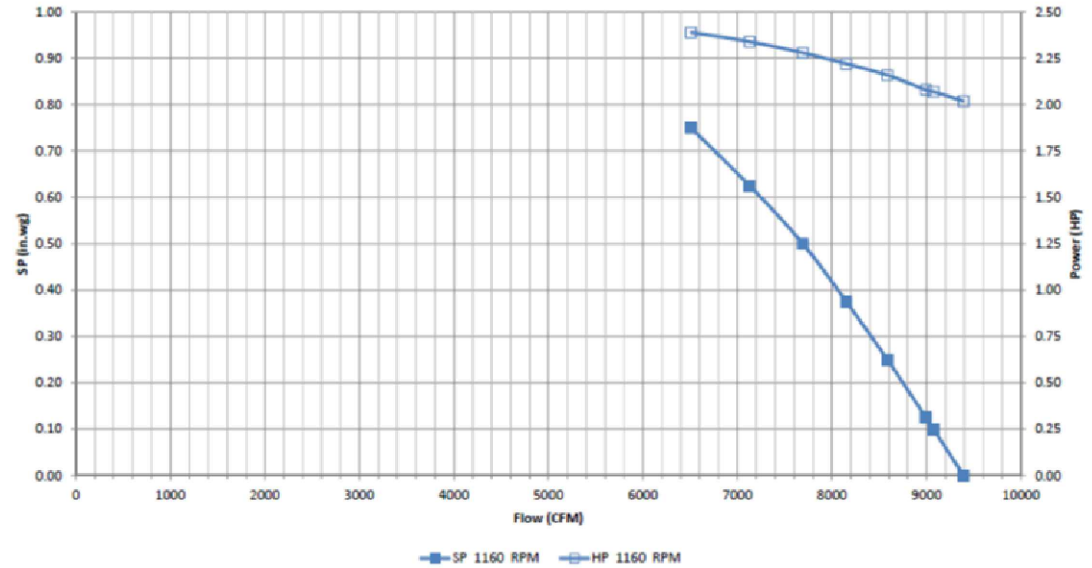


MODEL # SF10-3DB

**UL705 DIRECT DRIVE ECONOMY
ROOF SUPPLY FAN**



DIMENSIONAL DATA
36 1/2" ROUGH OPENING



PERFORMANCE DATA

PHASE	3	VOLTS	460
AMPS	3.4	HP	2

RPM	.000" S.P.	.125" S.P.	.250" S.P.	.375" S.P.	.500" S.P.	.750" S.P.	1.000" S.P.
	CFM	CFM	CFM	CFM	CFM	CFM	CFM
1160	9380	9000	8590	8130	7690	6550	-

STANDARD FEATURES

- HEAVY GAUGE STEEL FRAME/ORIFICE COATED WITH ACME SEAL POWDER COATING CHARCOAL GRAY
- ALUMINUM BLADED PROPELLER NON-OVERLOADING LOW NOISE LEVEL DESIGN
- MOTOR BEARINGS ARE PERMANENTLY LUBRICATED
- 2 YEAR FAN/MOTOR WARRANTY
- AVERAGE UNIT WEIGHT: 263 LBS
- AVERAGE SHIPPING WEIGHT: 334 LBS



LISTED

FANS

UL 705

14076 7/20