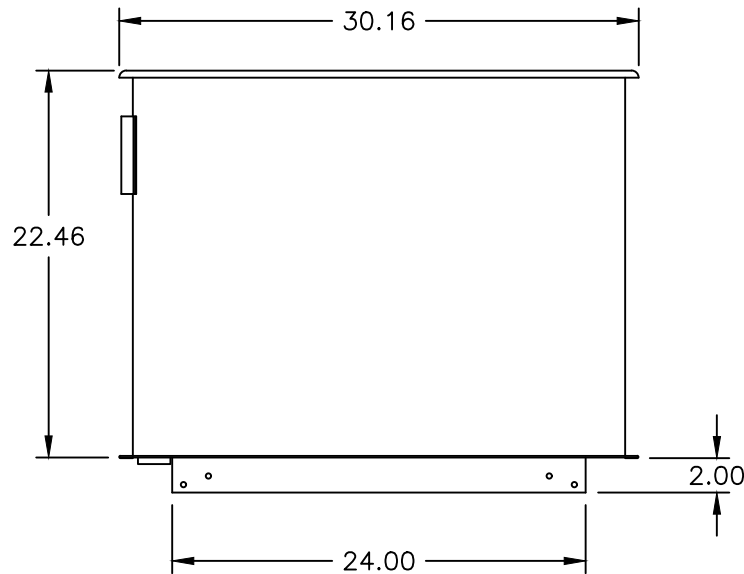


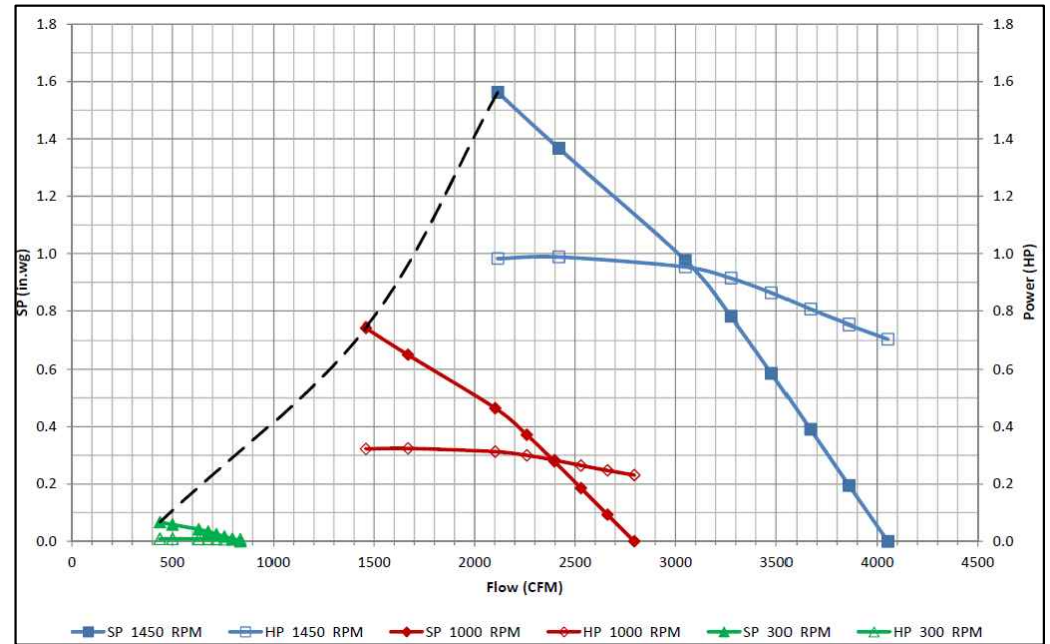
MODEL# **36DECA**

**UL762 UPBLAST EXHAUST FAN
DIRECT DRIVE**



DIMENSIONAL DATA
23-1/2" SQ. CURB

PERFORMANCE DATA



PHASE	1	VOLTS	115/230
AMPS	16/8	HP	1

RPM	.000" S.P.	.250" S.P.	.50" S.P.	.75" S.P.	1.00" S.P.	1.25" S.P.
	CFM	CFM	CFM	CFM	CFM	CFM
1450	4052	3805	3560	3306	3007	2613

STANDARD FEATURES

- EFFICIENT EC MOTOR WHICH CAN RUN DOWN TO 10% OF SPEED
- HEAVY GAUGE ALUMINUM HOUSING
- 2 YEAR LIMITED WARRANTY ON ALL ELECTRIC MOTORS
- FACTORY SET DRIVE
- DIRECT DRIVEN MOTORS ARE ENCLOSED IN WEATHER-TIGHT COMPARTMENTS
- AVERAGE UNIT WEIGHT: 76 LBS
- AVERAGE SHIPPING WEIGHT: 102 LBS



FANS
UL 762
14090 3/20