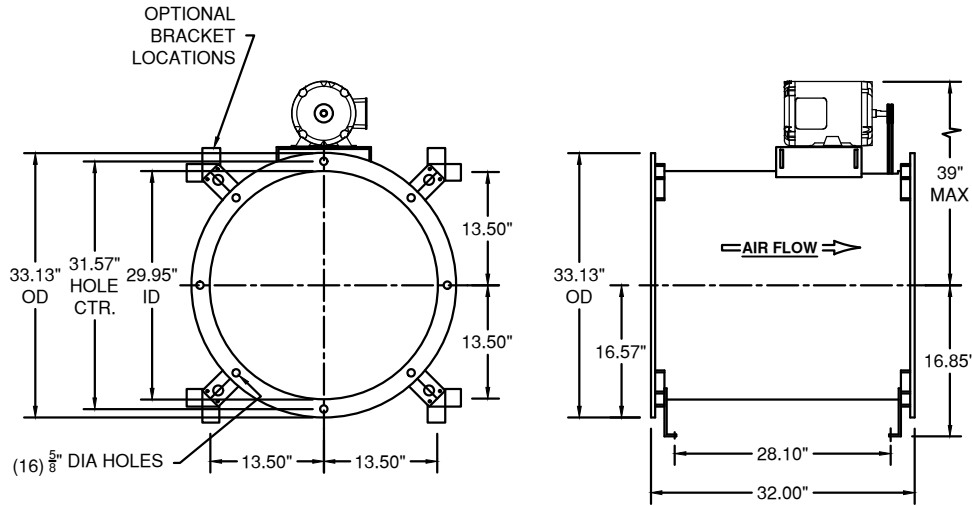
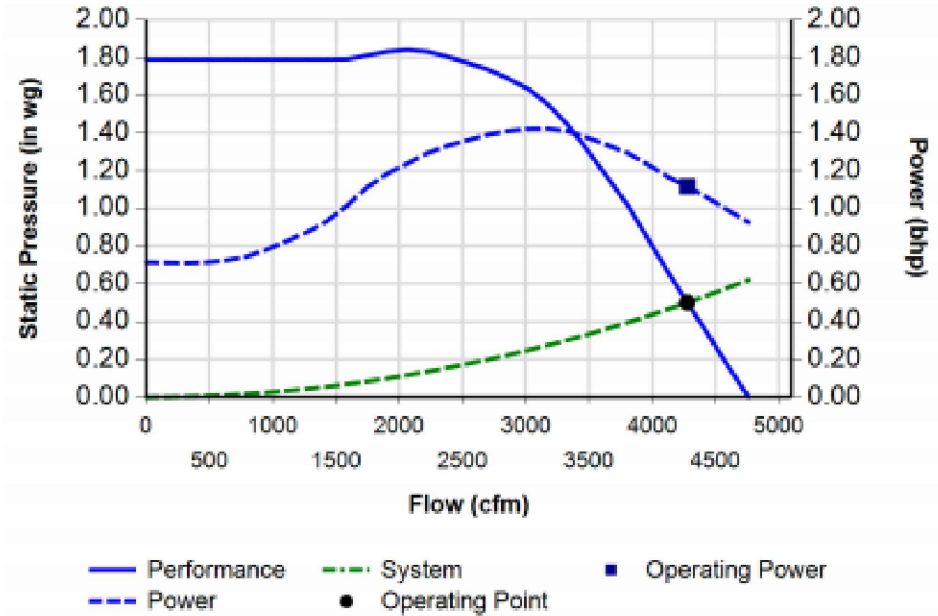


**MODEL# TIB 185B 1.5 HP MOTOR THREE PHASE**

**UL762 IN LINE DUCT FAN  
BELT DRIVE**



**PERFORMANCE DATA**



**PERFORMANCE DATA**

<b>PHASE</b>	3	<b>VOLTS</b>	230
<b>AMPS</b>	6.0-6.0 0-3.0	<b>HP</b>	1.5

RPM	.000" S.P.		.25" S.P.		.50" S.P.		.75" S.P.		1.0" S.P.		1.25" S.P.		1.50" S.P.	
	CFM	SONES	CFM	SONES	CFM	SONES	CFM	SONES	CFM	SONES	CFM	SONES	CFM	SONES
803	2795	2.6	2390	5.6	1930	5.2	-	-	-	-	-	-	-	-
881	3067	3.1	2693	6.8	2321	6.6	1393	6.4	-	-	-	-	-	-
1012	3524	4.7	3199	9.6	2887	9.5	2524	9.0	1526	8.7	-	-	-	-
1158	4033	6.2	3750	12.1	3467	12.3	3198	11.7	2856	11.4	2117	11.2	-	-
1256	4374	7.0	4111	13.5	3848	13.9	3603	13.7	3329	13.0	2973	12.7	2127	12.6
1437	5005	8.7	4771	15.7	4547	17.1	4320	17.1	-	-	-	-	-	-

**STANDARD FEATURES**

- AMCA DRIVE ARRANGEMENT 9
- HEAVY GAUGE STEEL FRAME/ORIFICE BASE COATED WITH - SEAL POWDER COATING CHARCOAL GREY
- BOLTED, GASKETED, OVERSIZED ACCESS DOOR
- UNIVERSAL MOUNTING FEET
- FAN CAN BE ORIENTED INTO ANY POSITION
- BACKWARD INCLINED NON-OVERLOADING ALUMINUM WHEEL
- 5 YEAR WARRANTY-MAINTENANCE FREE BEARINGS-PATENTED-STEEL SHAFT RATED AT L-50 LIFE OF 200,000 HOURS
- VARIABLE PITCH DRIVES DESIGNED FOR 1.5 SERVICE FACTOR
- MOTOR BEARINGS ARE PERMANENTLY LUBRICATED
- 2 YEAR FAN/MOTOR WARRANTY

