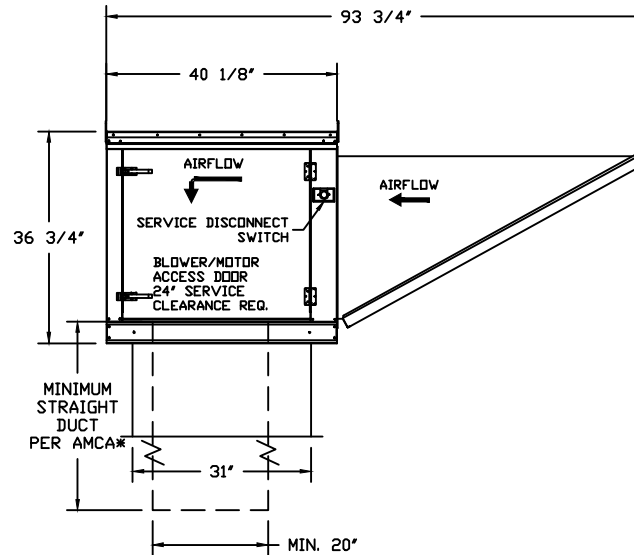
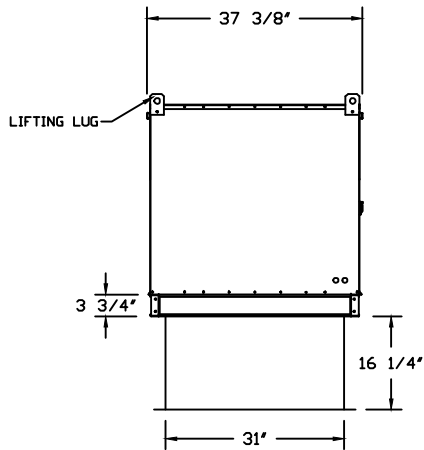
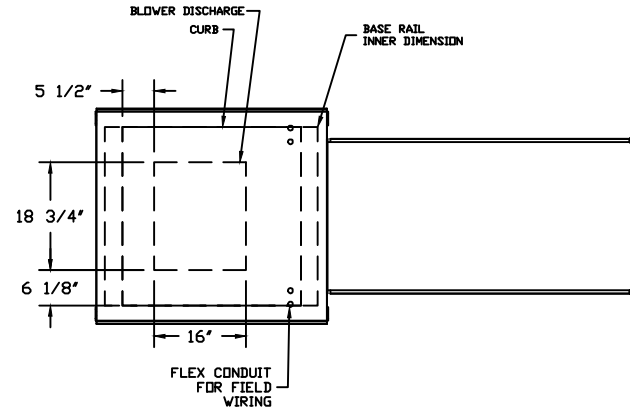


**MODEL # SF10H**

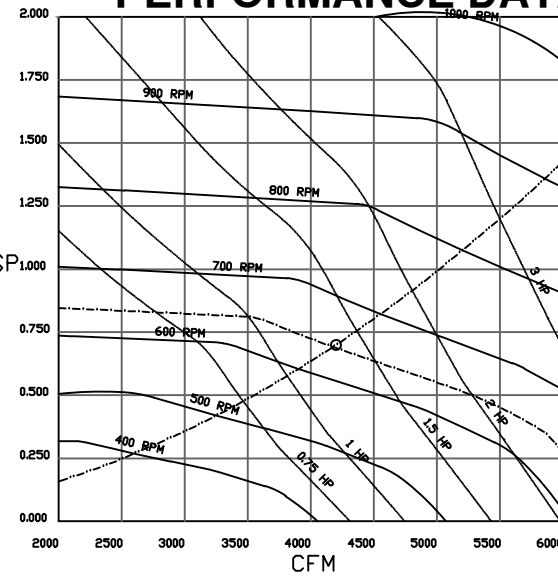
**UL705 FRESH AIR  
SUPPLY FAN BELT**



ROOF OPENING 2" SMALLER THAN CURB DIMENSION.

**DIMENSIONAL DATA  
31" SQ. CURB**

**PERFORMANCE DATA**



PHASE	1	VOLTS	115/230
AMPS	20/11	HP	1 1/2

Static Pressure in Inches W.G.									
	0	0.25	0.5	0.75	1	1.25	1.5	1.75	2
CFM	RPM/BHP	RPM/BHP	RPM/BHP	RPM/BHP	RPM/BHP	RPM/BHP	RPM/BHP	RPM/BHP	RPM/BHP
2000	362 / 0.18	491 / 0.32	600 / 0.47	695 / 0.65	780 / 0.83	855 / 1.02	923 / 1.21	986 / 1.41	
2500	383 / 0.28	501 / 0.42	601 / 0.59	692 / 0.79	775 / 0.99	851 / 1.21	921 / 1.44		
3000	409 / 0.42	518 / 0.57	611 / 0.75	696 / 0.96	775 / 1.18	848 / 1.42			
3500	345 / 0.40	438 / 0.60	541 / 0.78	628 / 0.97	707 / 1.18	781 / 1.41			
4000	394 / 0.60	471 / 0.83	566 / 1.04	649 / 1.24	724 / 1.46				
4500	444 / 0.85	508 / 1.12	593 / 1.36						
5000	493 / 1.17	548 / 1.47							

**STANDARD FEATURES**

- FLEXIBLE FORWARD CURVED BELT DRIVE BLOWERS
- OPERATE AT LOW SPEED AND LOW NOISE LEVELS
- GALVANIZED STEEL HOUSING
- HEAVY DUTY BALL BEARINGS SUITABLE FOR -65° TO +250° F
- WEATHER PROOF CABINET DESIGNED FOR OUTDOOR ROOF MOUNTING
- FILTERS DESIGNED WITH LARGE SURFACE AREA FOR EFFICIENT FILTRATION
- WASHABLE ALUMINUM MESH FILTER ARE LOCATED IN THE INTAKE HOOD AND ARE ACCESSIBLE THROUGH THE HOOD END CAP FOR EASE OF SERVICE
- EASY ON-SITE ADDITION OF CUSTOMER SUPPLIED AIR SUPPLY DUCT
- EXTENSION BETWEEN THE INTAKE HOOD AND UNIT PROVIDES ADDITIONAL SEPARATION WHERE NECESSARY
- MIAMI DADE IMPACT AND WIND CERTIFICATION +30/-130 PSF -
- MIAMI DADE COUNTY PRODUCT CONTROL APPROVED,
- FLORIDA BUILDING CODE APPROVAL
- AVERAGE UNIT WEIGHT: 208 LBS
- AVERAGE SHIPPING WEIGHT: 240 LBS
- HURRICANE RATED



FANS  
**UL 705**