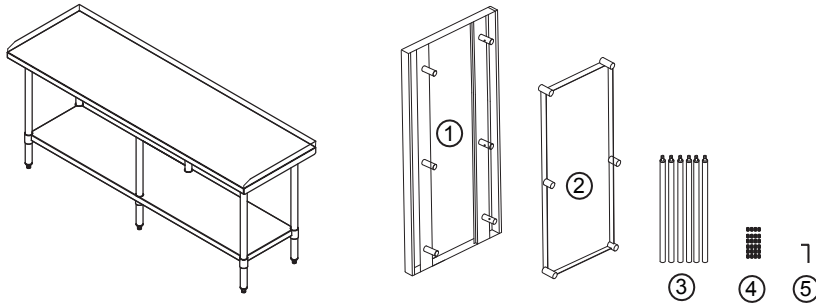


## ASSEMBLY INSTRUCTIONS



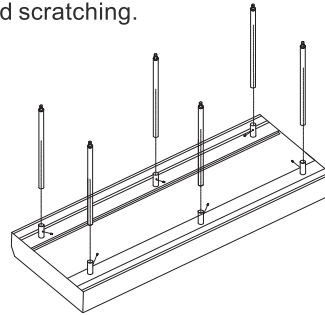
Contents in the carton

Item	Description	Qty.
1	Top Shelf	1
2	Lower Shelf	1
3	Legs	6
4	Allen Screws	25 (1 spare)
5	Allen Key	1

Unpack and check to make sure all contents are complete.  
Please follow the steps and instructions below.

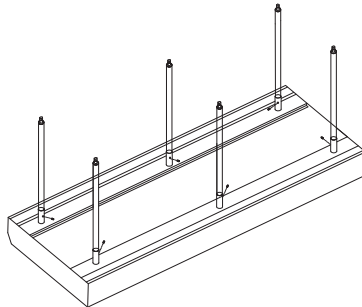
### STEP 1

Turn the top shelf upside down onto the floor.  
Place the carton top underneath for padding to avoid scratching.



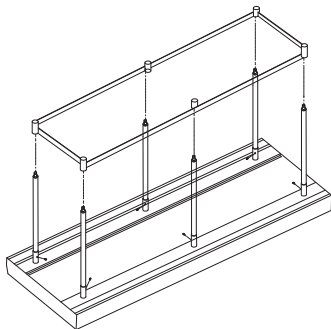
### STEP 2 - SIX LEGS ASSEMBLY

Insert six legs into the leg sockets , then partially fasten the allen screws.



### STEP 3 - LOWER SHELF ASSEMBLY

Slide the lower shelf into six legs to desired height, then tighten all allen screws to secure the lower shelf in place.



### STEP 4

Turn over the assembled equipment stand. Adjust the feet height to ensure proper leveling and stability. Your equipment stand is now ready to use.

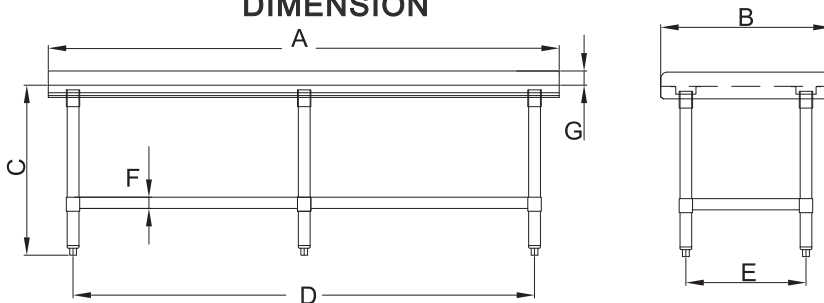
### WARNING

1. Do not use the equipment stand if any screws are missing.
2. Level or adjust the stand when there is no equipment or items on the top and under shelf.

### CLEANING

1. To maintain the appearance and increase the service life, clean your equipment daily.
2. Using a damp cloth, sponge dipped in soapy water to clean the outside of the equipment stand.

### DIMENSION



NO.	DESCRIPTION	NESG-7224-418	NESG-7230-418
A	Top shelf length	72"	72"
B	Top shelf width	24"	30"
C	Height	24"	24"
D	Lower shelf length	65"	65"
E	Lower shelf width	16.9"	23.3"
F	Lower shelf thickness	1.6"	1.6"
G	Edge height	2"	2"