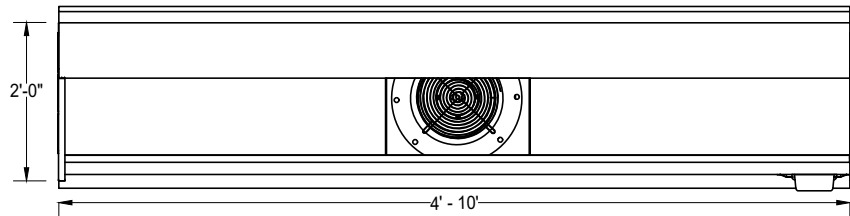
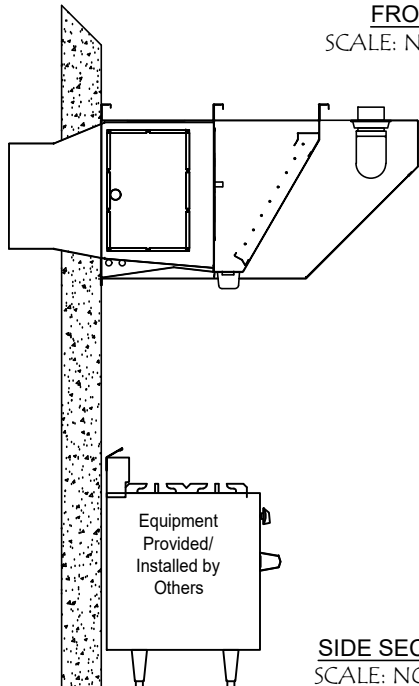


PLAN VIEW
SCALE: NOT TO SCALE



FRONT VIEW
SCALE: NOT TO SCALE



SIDE SECTION VIEW
SCALE: NOT TO SCALE

Low Box Concession Trailer (TYPE I) -

Hood General Specifications

- First UL710 listed assembly with integrated fan, tested in accordance with AMCA 210-16 and ASHRAE 51-16
- NFPA96 and IMC approved
- FDNY COA listed
- NSF certified
- **4'-0" - 10'-0"** long with single blower and outlet
- Hoods are constructed of 18 gauge stainless steel where exposed, 18 gauge aluminized where not exposed
- All joints are welded liquid tight, without seams
- Grease Filters are 20" stainless steel baffle type which carry a UL listing
- Grease trough is made to receive grease extracted by the filter
- Ductwork sloped back to grease trough
- Each Grease trough is equipped with a stainless steel cup
- Factory mounted grease duct with louver
- 100W incandescent Lights are shipped loose (Can be installed)
- Integrated 1100 CFM fan
- 115/1/60, 5.2 amps total draw
- **PATENT #12,611,910**



It is the responsibility of the architect/owner to ensure that the hood clearance from limited-combustible and combustible materials is in compliance with local code requirements