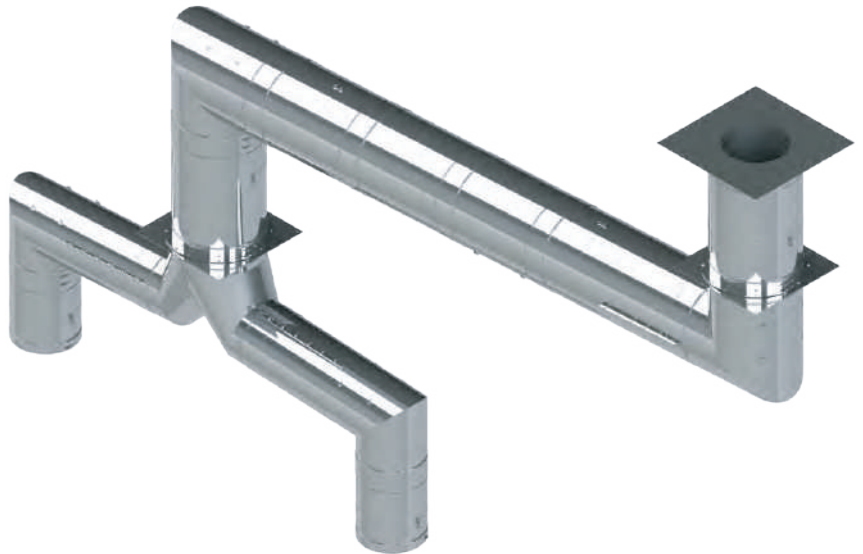


Grease Duct Spec

Model:

DW-NAKS-CK-ZC-KIT17

Double Wall 20" with Two Elbows



- 6x J-600 Sealant
- 6x DW-NAKS-CK20-LSB-ZC Light Support Band
- 2x DW-NAKS-CK20-APS-ZC Anchor Plate Support
- 2x DW-NAKS-CK14-36CL-ZC 36" Cut Length
- 2x DW-NAKS-CK20-36CL-ZC 36" Cut Length
- 5x DW-NAKS-CK20-36L-ZC 36" Fixed Length
- 1x DW-NAKS-CK20-IAD-ZC Inline Access Door Length
- 2x DW-NAKS-CK14-87EA-ZC 87 Degree Elbow w/ Access
- 2x DW-NAKS-CK20-87EA-ZC 87 Degree Elbow w/ Access
- 1x DW-NAKS-CK20-87BHT14-ZC 87 Deg Red Bull-Head Tee
- 2x DW-NAKS-CK14-NWHO-ZC No-Weld Hood Adapter - Oval
- 1x DW-NAKS-CK20-FPE:36x36-ZC Fan Plate Adapter - End



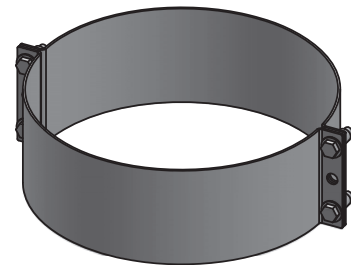
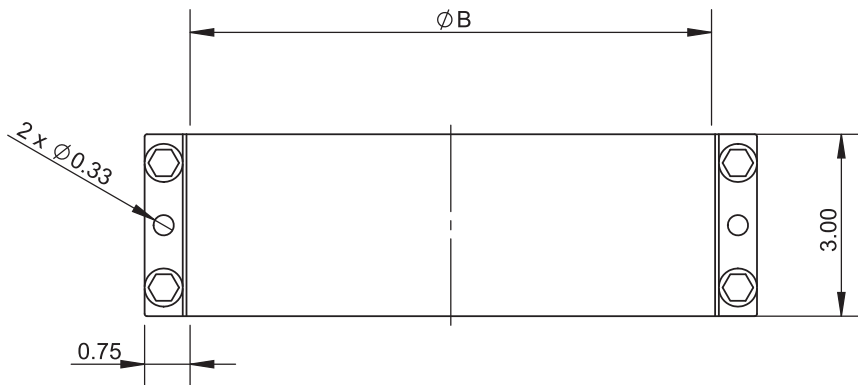


Vent Diameter	Number of Joints Per 10 oz. Tube
3" - 6"	6.7
8" - 10"	6
11" - 12"	5.3
13" - 16"	4.7
18" - 20"	4
22" - 24"	3.3
26" - 28"	2.7
30" - 32"	2
34" - 36"	1.3
38" - 48"	0.7

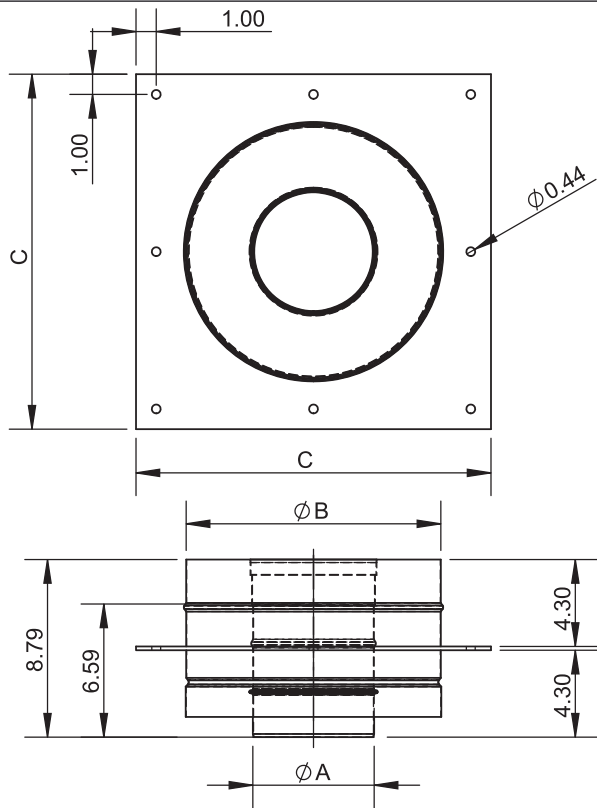
	drawn by	JJR	model	ALL	code	J-600	description	J-600 Sealant
--	----------	-----	-------	-----	------	-------	-------------	---------------

Ø	10	11	12	13	14	16	18	20
B	16.5	17.5	18.5	19.5	20.5	22.5	24.5	26.5
lb	2.90	3.06	3.21	3.37	3.54	3.85	4.16	4.49

Ø	22	24	26	28	30	32	34	36
B	28.5	30.5	32.5	34.5	36.5	38.5	40.5	42.5
lb	4.80	5.13	5.43	5.76	6.07	6.38	6.71	7.02

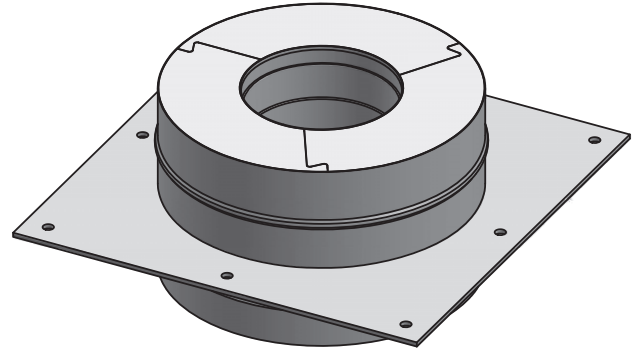


	drawn by	JJR	model	DW-NAKS-CK-ZC	code	LSB	description	DW-NAKS-CKØ-LSB-ZC Light Support Band
--	----------	-----	-------	---------------	------	-----	-------------	---------------------------------------



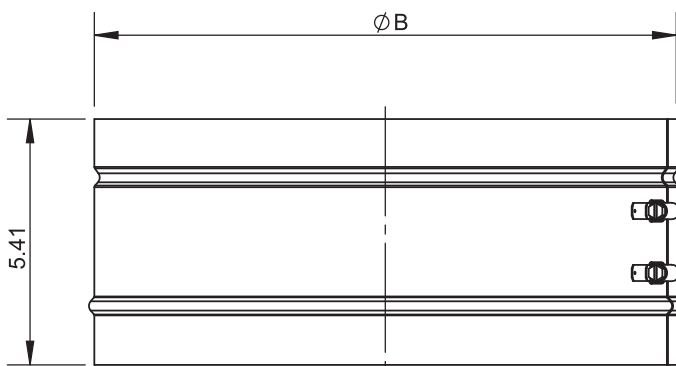
Ø	6	7	8	9	10	11	12	13	14	16
A	6	7	8	9	10	11	12	13	14	16
B	12.5	13.5	14.5	15.5	16.5	17.5	18.5	19.5	20.5	22.5
C	17.56	18.56	19.56	20.56	21.56	22.56	23.56	24.56	25.56	27.56
lb	24.44	26.82	29.19	31.59	34.03	36.48	38.90	41.38	43.91	49.02

Ø	18	20	22	24	26	28	30	32	34	36
A	18	20	22	24	26	28	30	32	34	36
B	24.5	26.5	28.5	30.5	32.5	34.5	36.5	38.5	40.5	42.5
C	29.56	31.56	33.56	35.56	37.56	39.56	41.56	43.56	45.56	47.56
lb	54.21	59.49	64.86	70.31	75.86	81.49	87.23	93.04	98.93	104.94



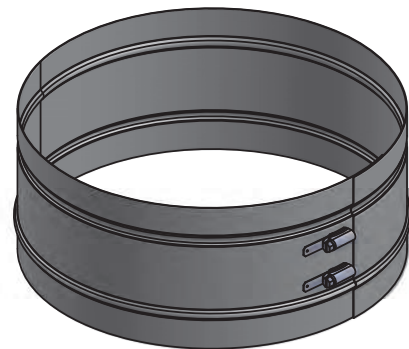
*INCLUDES 1 LOCKING BAND

drawn by	JJR	model	DW-NAKS-CK-ZC	code	APS	description	DW-NAKS-CKØ-APS-ZC Anchor Plate Support			
----------	-----	-------	---------------	------	-----	-------------	---	--	--	--

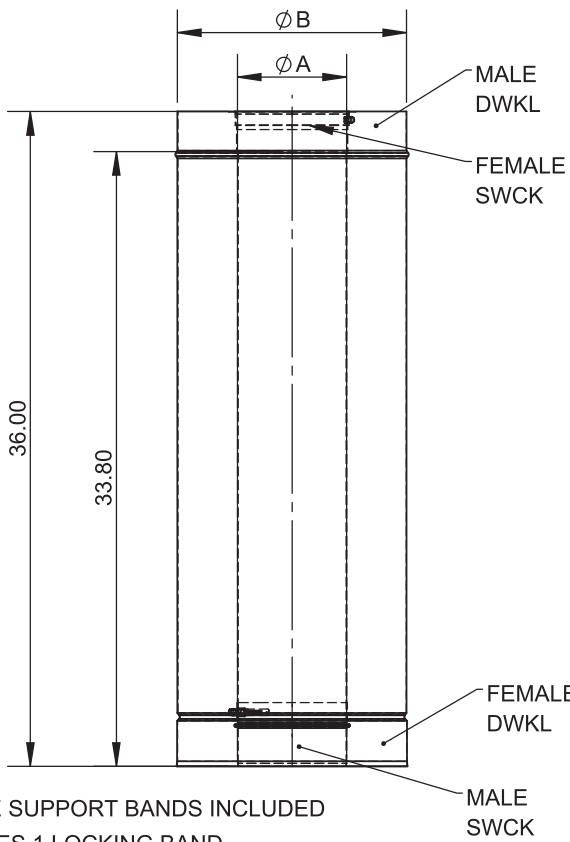


Ø	6	7	8	9	10	11	12	13	14	16
B	12.5	13.5	14.5	15.5	16.5	17.5	18.5	19.5	20.5	22.5
lb	1.76	1.87	2.00	2.13	2.24	2.38	2.51	2.62	2.75	2.99

Ø	18	20	22	24	26	28	30	32	34	36
B	24.5	26.5	28.5	30.5	32.5	34.5	36.5	38.5	40.5	42.5
lb	3.23	3.50	3.74	3.98	4.25	4.49	4.73	4.99	5.24	5.48



drawn by	JJR	model	DW-NAKS-CK-ZC	code	LB	description	DW-NAKS-CKØ-LB-ZC Locking Band			
----------	-----	-------	---------------	------	----	-------------	--------------------------------	--	--	--



*FLANGE SUPPORT BANDS INCLUDED
*INCLUDES 1 LOCKING BAND

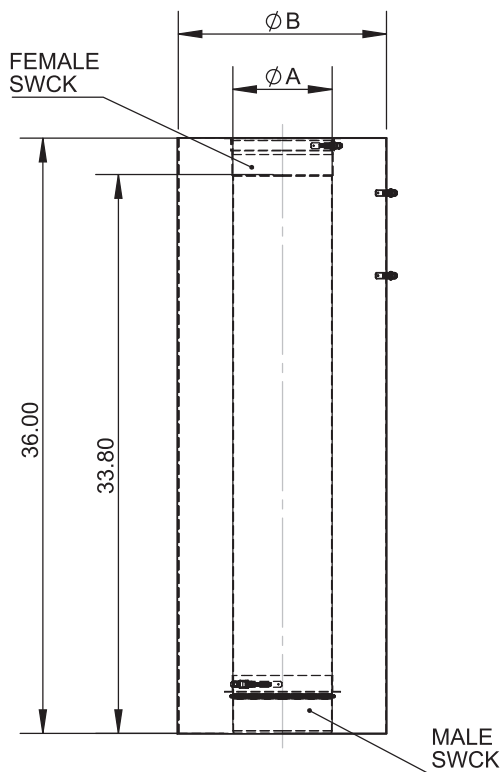
Ø	6	7	8	9	10	11	12	13	14	16
A	6	7	8	9	10	11	12	13	14	16
B	12.5	13.5	14.5	15.5	16.5	17.5	18.5	19.5	20.5	22.5
lb	42.04	46.51	51.00	55.46	59.93	64.42	68.88	73.35	77.84	86.79

Ø	18	20	22	24	26	28	30	32	34	36
A	18	20	22	24	26	28	30	32	34	36
B	24.5	26.5	28.5	30.5	32.5	34.5	36.5	38.5	40.5	42.5
lb	95.74	104.68	113.63	122.58	131.54	140.47	149.42	158.38	167.33	176.26



drawn by JJR model DW-NAKS-CK-ZC code 36L

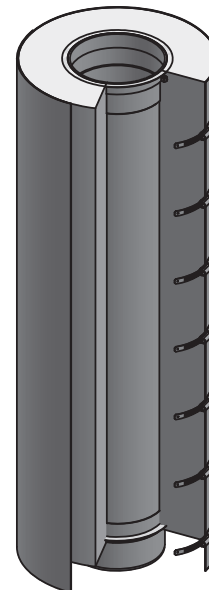
description DW-NAKS-CKØ-36L-ZC 36" Fixed Length



*FLANGE SUPPORT BANDS INCLUDED
*INCLUDES 1 CUT LENGTH LOCKING BAND

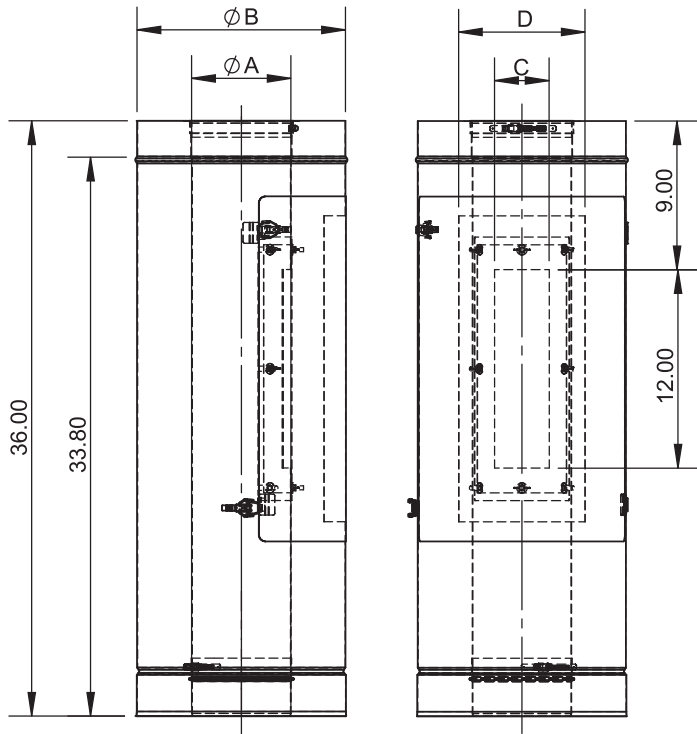
Ø	6	7	8	9	10	11	12	13	14	16
A	6	7	8	9	10	11	12	13	14	16
B	12.5	13.5	14.5	15.5	16.5	17.5	18.5	19.5	20.5	22.5
lb	42.04	46.51	51.00	55.46	59.93	64.42	68.88	73.35	77.84	86.79

Ø	18	20	22	24	26	28	30	32	34	36
A	18	20	22	24	26	28	30	32	34	36
B	24.5	26.5	28.5	30.5	32.5	34.5	36.5	38.5	40.5	42.5
lb	95.74	104.68	113.63	122.58	131.54	140.47	149.42	158.38	167.33	176.26



drawn by JJR model DW-NAKS-CK-ZC code 36CL

description DW-NAKS-CKØ-36CL-ZC 36" Cut Pipe Length



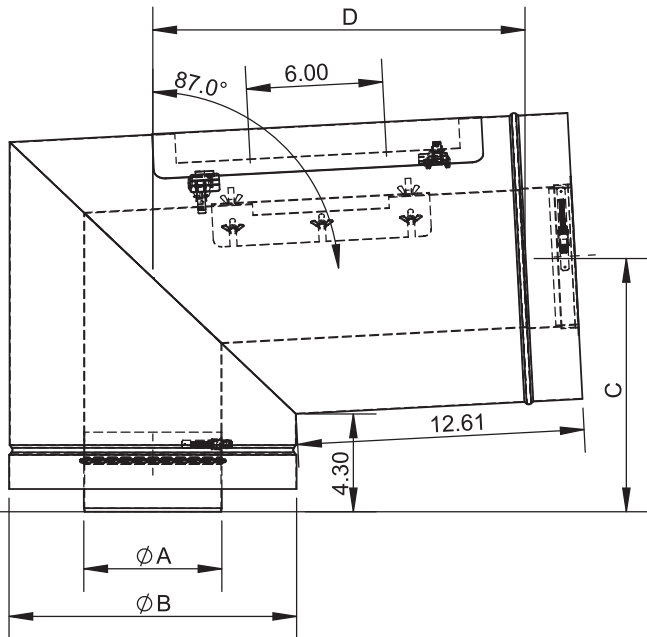
Ø	6	7	8	9	10	11	12	13	14	16
A	6	7	8	9	10	11	12	13	14	16
B	12.5	13.5	14.5	15.5	16.5	17.5	18.5	19.5	20.5	22.5
C	3.3	3.3	3.4	3.4	5.5	5.5	5.5	5.5	5.7	5.7
D	7.65	7.99	8.24	8.43	10.22	10.45	10.7	10.85	10.98	11.19
lb	45.21	49.50	53.86	58.19	62.99	67.34	71.70	76.10	80.54	89.39

Ø	18	20	22	24	26	28	30	32	34	36
A	18	20	22	24	26	28	30	32	34	36
B	24.5	26.5	28.5	30.5	32.5	34.5	36.5	38.5	40.5	42.5
C	5.8	8.7	8.8	8.8	10.7	10.8	10.8	13.7	13.8	13.8
D	11.34	13.92	14.09	14.22	15.86	16.08	17.46	19.3	19.42	20.13
lb	98.25	107.47	116.36	125.25	134.35	143.26	152.24	161.39	170.30	179.23



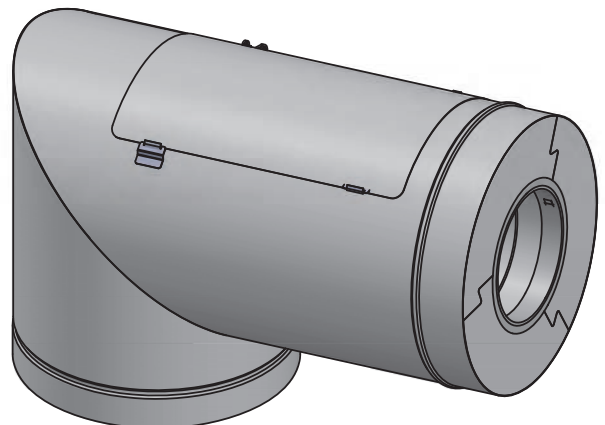
*FLANGE SUPPORT BANDS INCLUDED
*INCLUDES 1 LOCKING BANDS

drawn by	JJR	model	DW-NAKS-CK-ZC	code	IAD	description	DW-NAKS-CKØ-IAD-ZC Inline Access Door Length			
----------	-----	-------	---------------	------	-----	-------------	--	--	--	--



Ø	6	7	8	9	10	11	12	13	14	16
A	6	7	8	9	10	11	12	13	14	16
B	12.5	13.5	14.5	15.5	16.5	17.5	18.5	19.5	20.5	22.5
C	11.14	11.64	12.14	12.64	13.14	13.64	14.14	14.64	15.14	16.13
D	16.37	16.85	17.32	17.79	18.27	18.74	19.22	19.69	20.16	21.11
lb	33.70	38.32	43.19	48.25	53.66	59.18	64.90	70.86	77.04	90.09

Ø	18	20	22	24	26	28	30	32	34	36
A	18	20	22	24	26	28	30	32	34	36
B	24.5	26.5	28.5	30.5	32.5	34.5	36.5	38.5	40.5	42.5
C	17.13	18.13	19.13	20.13	21.13	22.13	23.12	24.12	25.12	26.12
D	22.06	23.01	23.95	24.9	25.85	26.8	27.74	28.69	29.64	30.59
lb	103.99	118.98	134.68	151.29	168.89	187.29	206.58	226.91	247.96	269.94

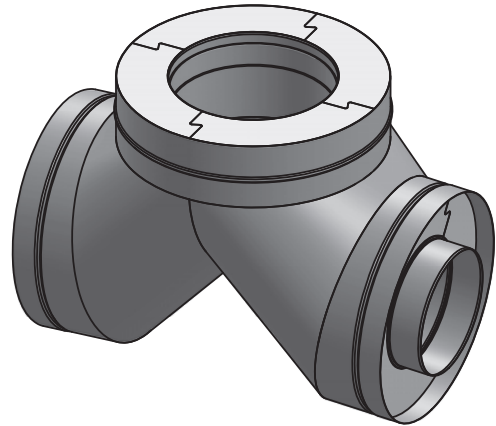
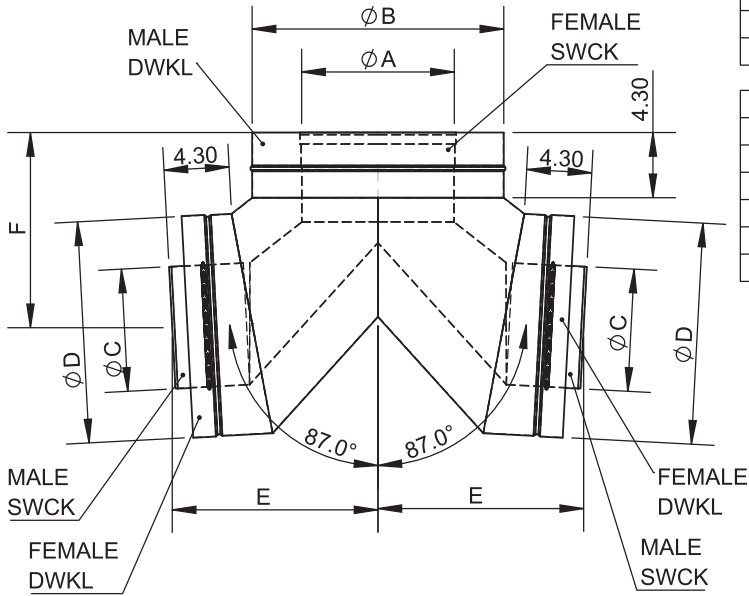


*FLANGE SUPPORT BANDS INCLUDED
*INCLUDES 1 LOCKING BAND

drawn by	JJR	model	DW-NAKS-CK-ZC	code	87EA	description	DW-NAKS-CKØ-87EA-ZC 87 Degree Elbow w/ Access			
----------	-----	-------	---------------	------	------	-------------	---	--	--	--

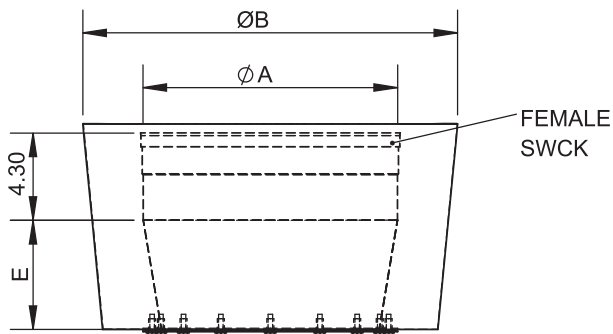
Ø	6	7	8	9	10	11	12	13	14	16
A	6	7	8	9	10	11	12	13	14	16
B	12.5	13.5	14.5	15.5	16.5	17.5	18.5	19.5	20.5	22.5
C	Customer Dimension									
D	Customer Dimension									
E	Customer Dimension									
F	Customer Dimension									

Ø	18	20	22	24	26	28	30	32	34	36
A	18	20	22	24	26	28	30	32	34	36
B	24.5	26.5	28.5	30.5	32.5	34.5	36.5	38.5	40.5	42.5
C	Customer Dimension									
D	Customer Dimension									
E	Customer Dimension									
F	Customer Dimension									

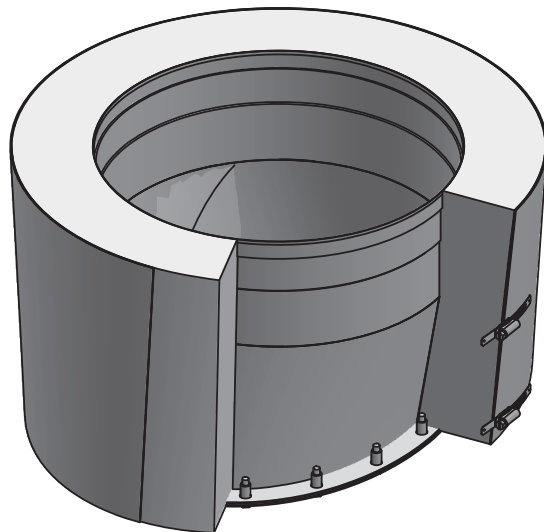
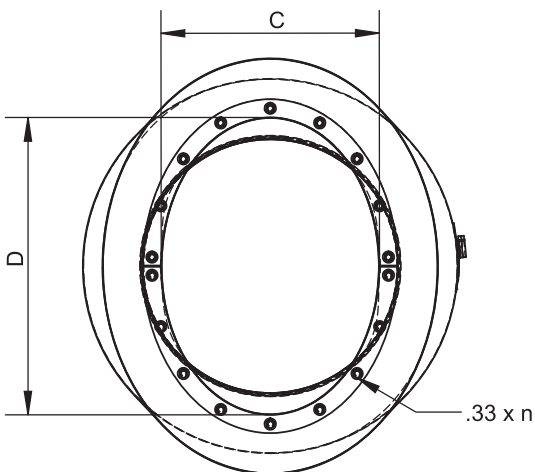


*FLANGE SUPPORT BANDS INCLUDED
*INCLUDES 2 LOCKING BANDS

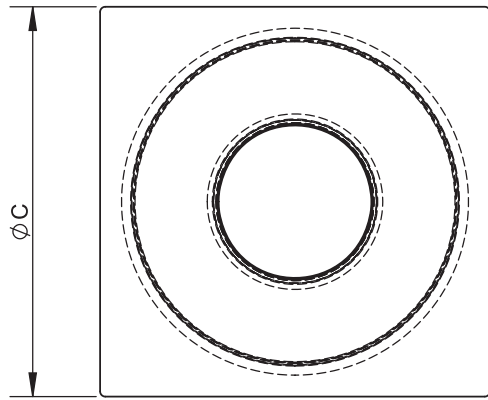
drawn by	JJR	model	DW-NAKS-CK-ZC	code	87BHT	description	DW-NAKS-CKØ-87BHT-ZC 87 Degree Bullhead Tee			
----------	-----	-------	---------------	------	-------	-------------	---	--	--	--



Ø	14	16	18	20
A	14	16	18	20
B	20.5	22.5	24.5	26.5
C	12			
D	16.35	21.3	26.25	31.2
E	7	10	13	16
n	18	18	22	22
lb	25.19	35.42	47.39	60.48

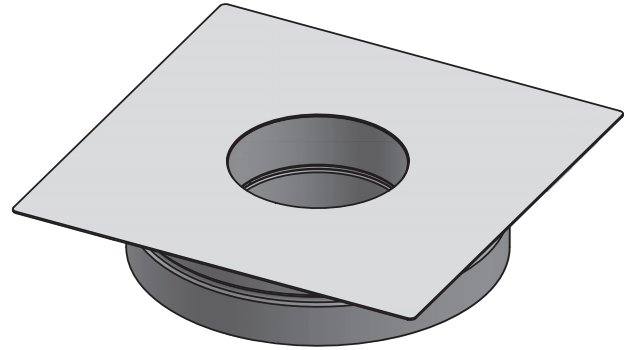
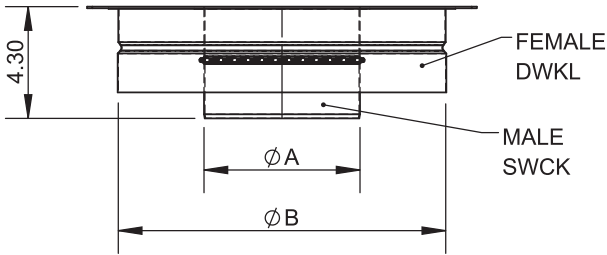


drawn by	JJR	model	DW-NAKS-CK-ZC	code	NWHO	description	DW-NAKS-CKØ-NWHO-ZC No Weld Hood Adapter Oval - Start			
----------	-----	-------	---------------	------	------	-------------	---	--	--	--



Ø	6	7	8	9	10	11	12	13	14	16
A	6	7	8	9	10	11	12	13	14	16
B	12.5	13.5	14.5	15.5	16.5	17.5	18.5	19.5	20.5	22.5
C	29									
lb	19.62	19.95	20.24	20.53	20.77	20.99	21.19	21.34	21.47	21.67

Ø	18	20	22	24	26	28	30	32	34	36
A	18	20	22	24	26	28	30	32	34	36
B	24.5	26.5	28.5	30.5	32.5	34.5	36.5	38.5	40.5	42.5
C	36				42			48		
lb	29.79	29.74	29.61	29.35	37.25	36.78	36.19	45.03	44.22	43.30



*INCLUDES 1 LOCKING BAND

drawn by JJR	model DW-NAKS-CK-ZC	code FPE	description DW-NAKS-CKØ-FPE-ZC Fan Plate Adapter - End
-----------------	------------------------	-------------	---