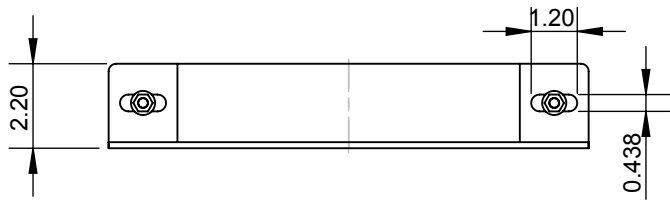


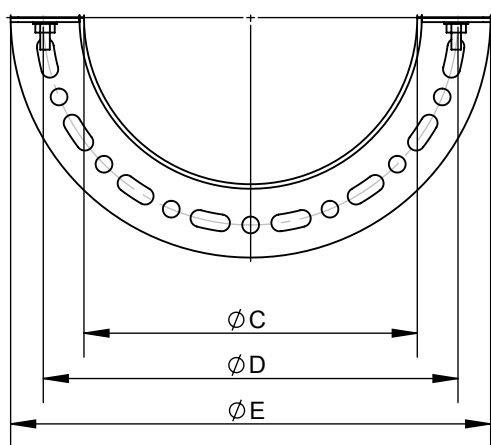
1 2 3 4

A

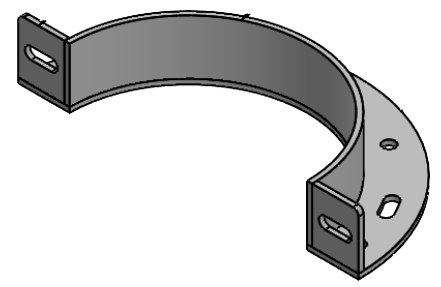


B

C




D



E

Ø	6	7	8	9	10	11	12	13	14	16	18	20	22	24	26	28
C	12.69	13.69	14.69	15.69	16.69	18.69	20.69	22.69	24.69	26.69	28.69	30.69	32.69	34.69	36.69	38.69
D	14.80	15.80	16.80	17.80	18.80	20.80	22.80	24.80	26.80	28.80	30.80	32.80	34.80	36.80	38.80	40.80
E	16.50	17.50	18.50	19.50	20.50	22.50	24.50	26.50	28.50	30.50	32.50	34.50	36.50	38.50	40.50	42.50

F

material: inside/outside 444 304	surface: inside/outside 2B BA	inch / lb			 NORTH AMERICAN KITCHEN SOLUTIONS INCORPORATED	scale	
		revisions-no.				description Full Angle Ring	1:5
		A					format
		date	name				US LETTER
		drawn by	2023	FBA			sheet
checked by			1 of 1				
approved by			code	NAKS-DWCK-HAR-ZC			
modified by			drawing no.				

