

1

2

3

4

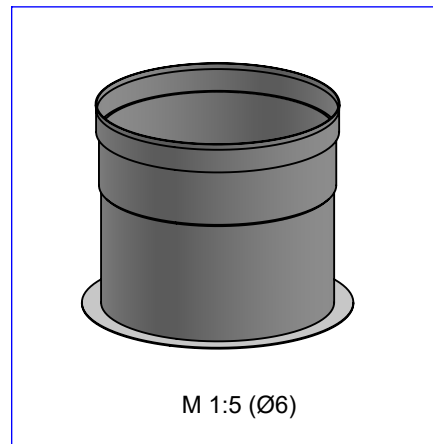
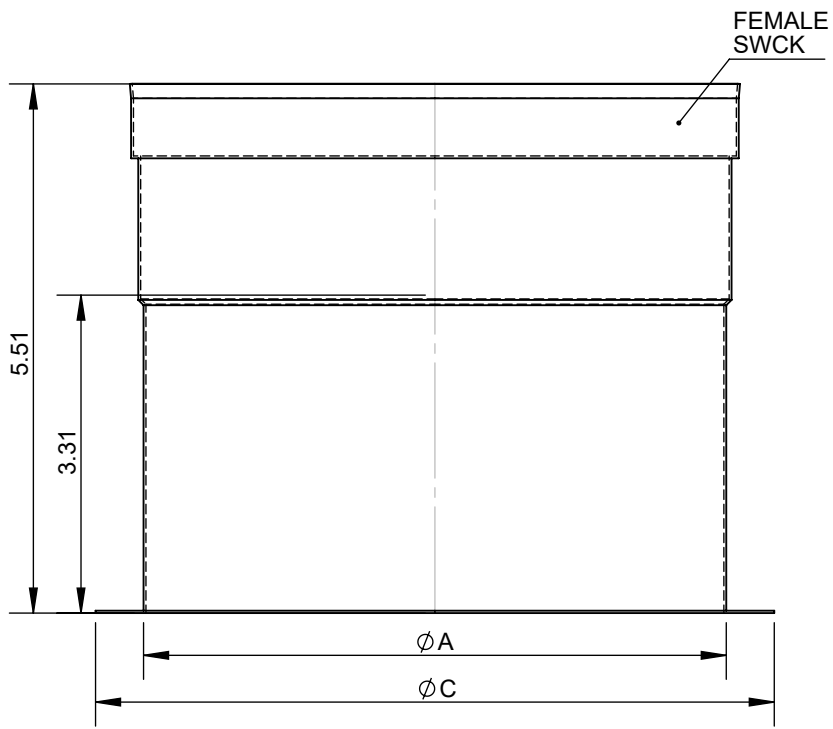
A

B



C

D

E



\varnothing	6	7	8	9	10	11	12	13	14	16	18	20	22	24	26	28	30	32	34	36
A	6	7	8	9	10	11	12	13	14	16	18	20	22	24	26	28	30	32	34	36
$\varnothing C$	7.07	8.07	9.07	10.07	11.07	12.07	13.07	14.07	15.07	17.07	19.07	21.07	23.07	25.07	27.07	29.07	31.07	33.07	35.07	37.07
lb	0.84	0.99	1.12	1.25	1.39	1.52	1.67	1.80	1.94	2.22	2.49	2.75	3.04	4.62	5.02	5.39	5.79	6.16	6.56	6.93

material: inside/outside	surface: inside/outside	inch / lb		 NORTH AMERICAN KITCHEN SOLUTIONS INCORPORATED	scale 1:2	
		revisions-no.			format US LETTER	
		date	name		description Flange Collar Adapter - Start	sheet 1 of 1
		drawn by	2022		code SW-NAKS-CK \varnothing -FCS	
		checked by			drawing no.	
approved by						
modified by						
UL-no.						