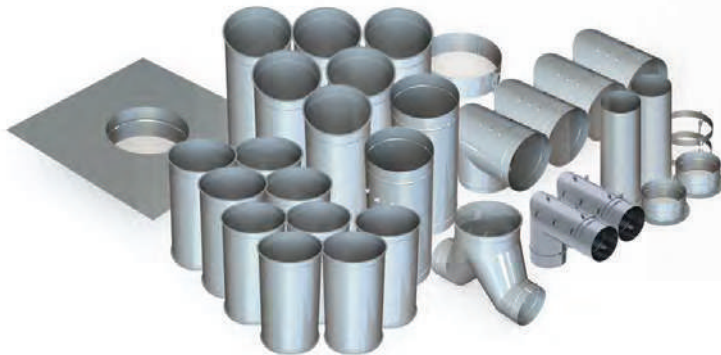


Grease Duct Spec

Model:
SW-NAKS-CK-KIT18
Single Wall 20" with Four Elbows

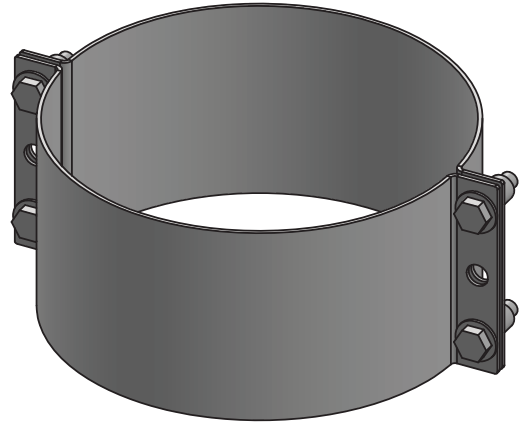
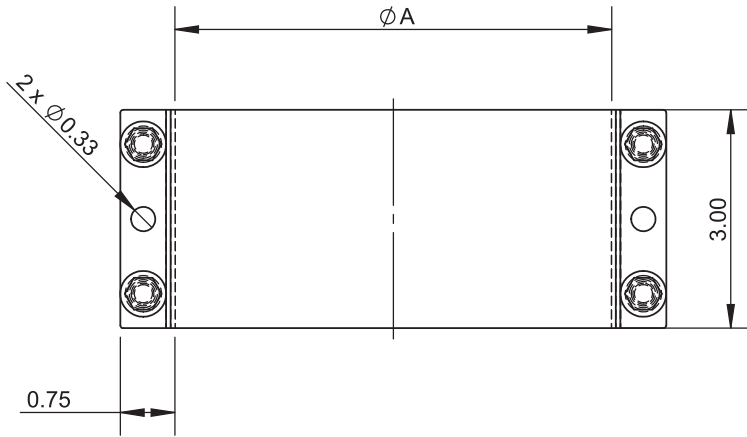


- 7x J-600 Sealant
- 12x SW-NAKS-CK20-LSB Light Support Band
- 2x SW-NAKS-CK14-CLB Cut Length Band
- 5x SW-NAKS-CK20-CLB Cut Length Band
- 2x SW-NAKS-CK14-24L 24" Fixed Length
- 9x SW-NAKS-CK20-24L 24" Fixed Length
- 8x SW-NAKS-CK20-48L 48" Fixed Length
- 2x SW-NAKS-CK20-IAD Inline Access Door Length
- 2x SW-NAKS-CK14-87EA 87 Degree Elbow w/ Access
- 4x SW-NAKS-CK20-87EA 87 Degree Elbow w/ Access
- 1x SW-NAKS-CK20-87BHT14 87 Deg Reduction Bull-Head Tee
- 2x SW-NAKS-CK14-NWHO NoWeld Hood Adapter
- 1x SW-NAKS-CK20-FPE:36X36 Fan Plate Adapter - End



Ø	6	7	8	9	10	11	12	13	14	16
A	6	7	8	9	10	11	12	13	14	16
lb	1.23	1.39	1.54	1.69	1.87	2.02	2.18	2.33	2.49	2.82

Ø	18	20	22	24	26	28	30	32	34	36
A	18	20	22	24	26	28	30	32	34	36
lb	3.12	3.45	3.76	4.09	4.40	4.71	5.04	5.35	5.68	5.98



		drawn by	model	code	description
		JJR	SW-NAKS-CK	LSB	SW-NAKS-CKØ-LSB Light Support

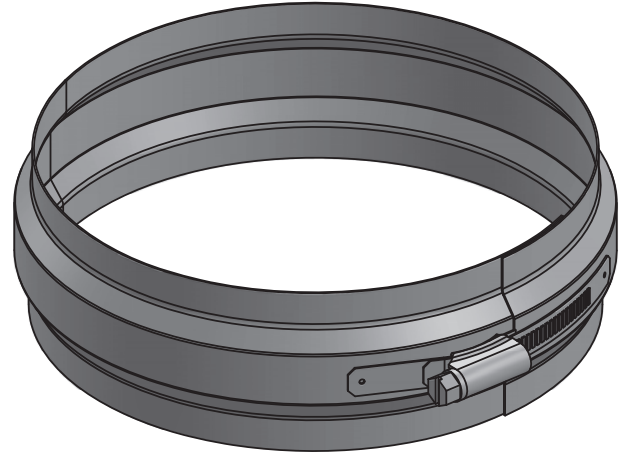
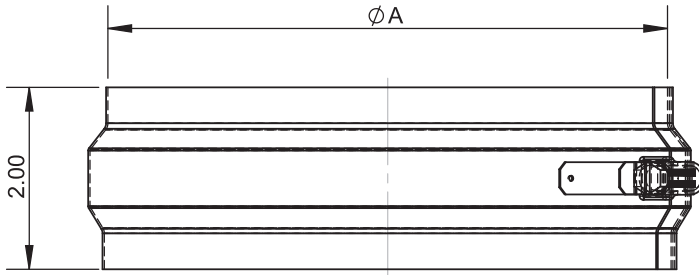


Vent Diameter	Number of Joints Per 10 oz. Tube
3" - 6"	6.7
8" - 10"	6
11" - 12"	5.3
13" - 16"	4.7
18" - 20"	4
22" - 24"	3.3
26" - 28"	2.7
30" - 32"	2
34" - 36"	1.3
38" - 48"	0.7

		drawn by	model	code	description
		JJR	ALL	J-600	J-600 Sealant

Ø	6	7	8	9	10	11	12	13	14	16
A	6	7	8	9	10	11	12	13	14	16
lb	0.35	0.42	0.46	0.51	0.55	0.59	0.64	0.68	0.75	0.84

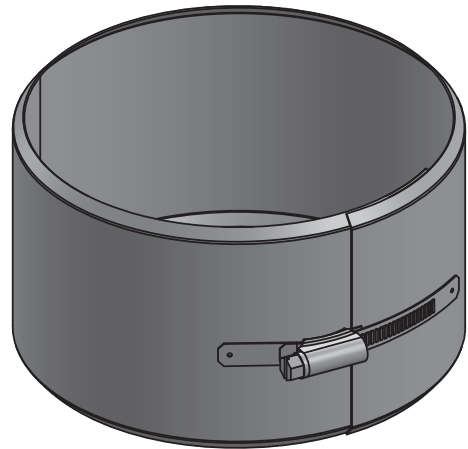
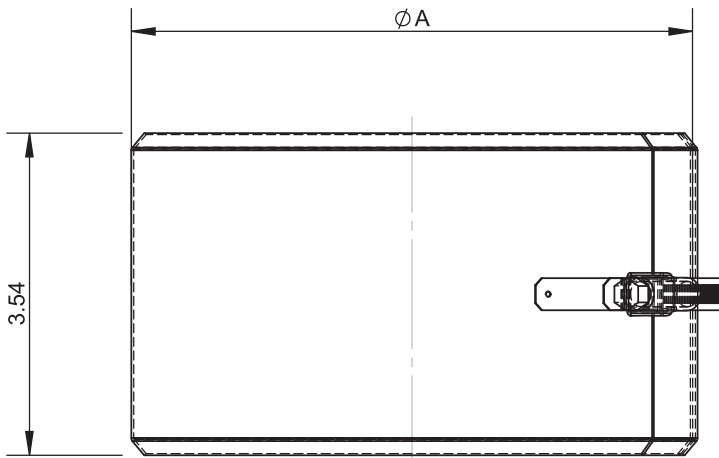
Ø	18	20	22	24	26	28	30	32	34	36
A	18	20	22	24	26	28	30	32	34	36
lb	0.92	1.01	1.12	1.21	1.30	1.41	1.50	1.58	1.69	1.78



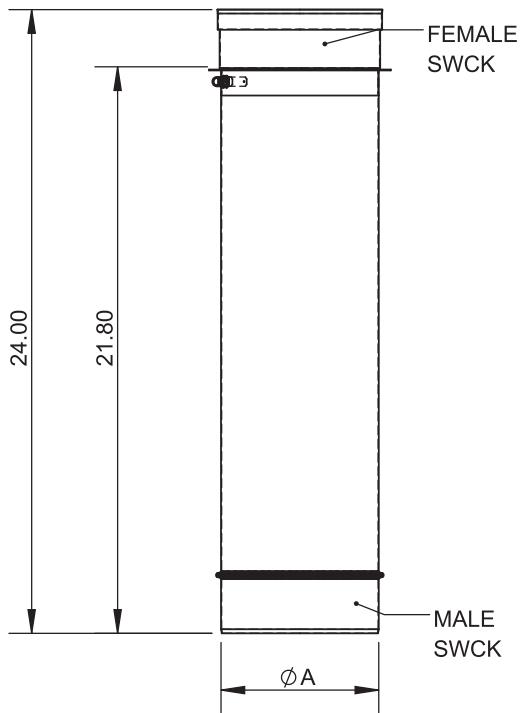
		drawn by JJR	model SW-NAKS-CK	code LB	description SW-NAKS-CKØ-LB Locking Band
--	--	-----------------	---------------------	------------	---------------------------------------------------

Ø	6	7	8	9	10	11	12	13	14	16
A	6	7	8	9	10	11	12	13	14	16
lb	0.59	0.68	0.75	0.84	0.92	1.01	1.08	1.17	1.23	1.43

Ø	18	20	22	24	26	28	30	32	34	36
A	18	20	22	24	26	28	30	32	34	36
lb	1.56	1.74	1.89	2.07	2.22	2.40	2.53	2.73	2.86	3.06



		drawn by JJR	model SW-NAKS-CK	code CLB	description SW-NAKS-CKØ-CLB Cut Length Locking Band
--	--	-----------------	---------------------	-------------	---------------------------------------------------------------



Ø	6	7	8	9	10	11	12	13	14	16
A	6	7	8	9	10	11	12	13	14	16
lb	3.67	4.27	4.86	5.46	6.05	6.64	7.22	7.81	8.40	9.59

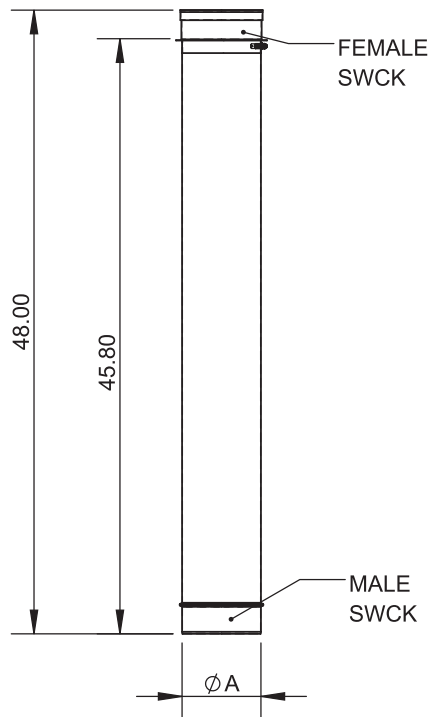
Ø	18	20	22	24	26	28	30	32	34	36
A	18	20	22	24	26	28	30	32	34	36
lb	10.78	11.97	13.16	19.58	21.21	22.81	24.44	26.07	27.70	29.30



*FLANGE SUPPORT BAND INCLUDED
ON SIZES 14" AND ABOVE

*INCLUDES 1 LOCKING BAND

drawn by	JJR	model	SW-NAKS-CK	code	24L	description	SW-NAKS-CKØ-24L 24" Fixed Length			
----------	-----	-------	------------	------	-----	-------------	----------------------------------	--	--	--



Ø	6	7	8	9	10	11	12
A	6	7	8	9	10	11	12
lb	6.93	8.05	9.17	10.32	11.44	12.58	13.71

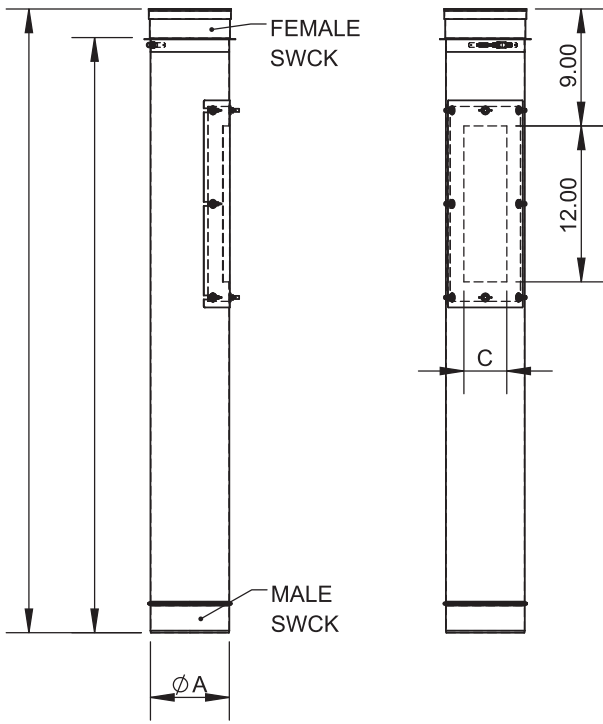
Ø	13	14	16	18	20	22	24
A	13	14	16	18	20	22	24
lb	14.83	15.97	18.24	20.48	22.75	25.01	37.69



*FLANGE SUPPORT BAND INCLUDED
ON SIZES 14" AND ABOVE

*INCLUDES 1 LOCKING BAND

drawn by	JJR	model	SW-NAKS-CK	code	48L	description	SW-NAKS-CKØ-48L 48" Fixed Length			
----------	-----	-------	------------	------	-----	-------------	----------------------------------	--	--	--



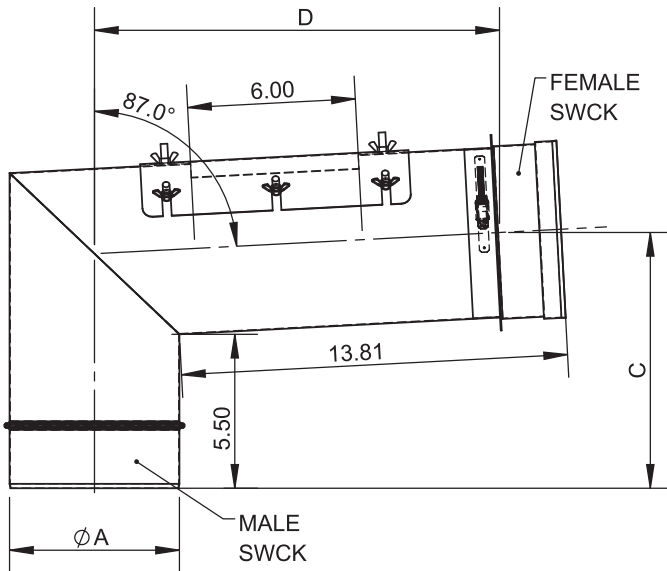
ϕ	6	7	8	9	10	11	12	13	14	16
A	6	7	8	9	10	11	12	13	14	16
C	3.3	3.3	3.4	3.4	5.5	5.5	5.5	5.5	5.7	5.7
E	48									
lb	7.70	8.82	9.94	11.09	12.28	13.40	14.52	15.64	16.81	19.05

ϕ	18	20	22	24	26	28	30	32	34	36
A	18	20	22	24	26	28	30	32	34	36
C	5.8	8.7	8.8	8.8	10.7	10.8	10.8	13.7	13.8	13.8
E	48					36				
lb	21.32	23.67	25.94	29.83	32.30	34.69	37.05	39.56	41.93	44.31



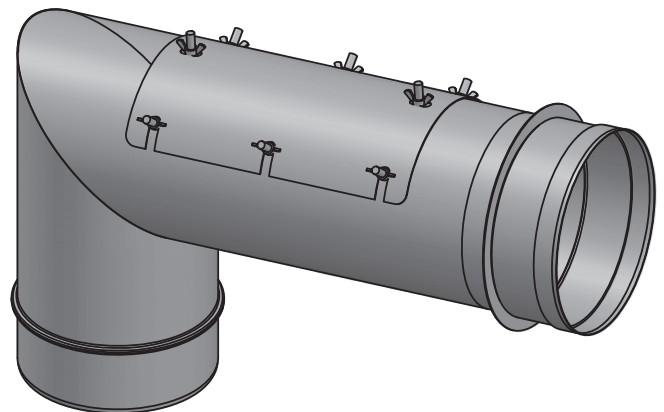
*FLANGE SUPPORT BAND INCLUDED
ON SIZES 14" AND ABOVE
*INCLUDES 1 LOCKING BAND

		drawn by	JJR	model	SW-NAKS-CK	code	IAD	description	SW-NAKS-CKϕ- IAD Inline Access Door Length	
--	--	----------	-----	-------	------------	------	-----	-------------	-------------------------------------------------------------------	--



ϕ	6	7	8	9	10	11	12	13	14	16
A	6	7	8	9	10	11	12	13	14	16
C	9.14	9.64	10.14	10.64	11.14	11.64	12.13	12.63	13.13	14.14
D	14.47	14.95	15.42	15.89	16.37	16.84	17.32	17.79	18.26	19.22
lb	4.27	5.04	5.85	6.69	7.66	8.58	9.57	10.58	11.66	19.07

ϕ	18	20	22	24	26	28	30	32	34	36
A	18	20	22	24	26	28	30	32	34	36
C	15.14	16.13	17.13	18.13	19.13	20.13	21.13	22.13	23.12	24.12
D	20.16	21.11	22.06	23.01	23.95	24.9	25.85	26.8	27.74	28.69
lb	22.44	26.16	29.99	34.06	38.46	42.99	47.78	52.93	58.19	64.53

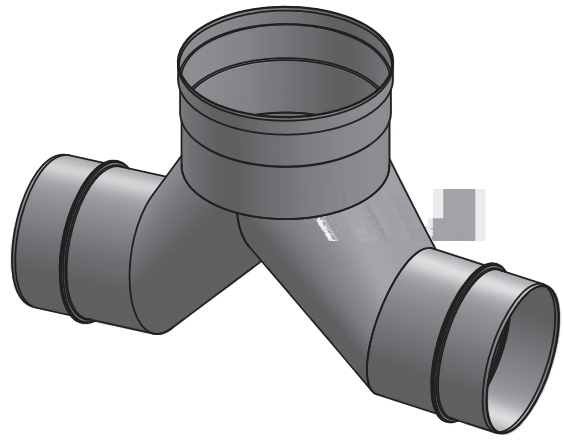
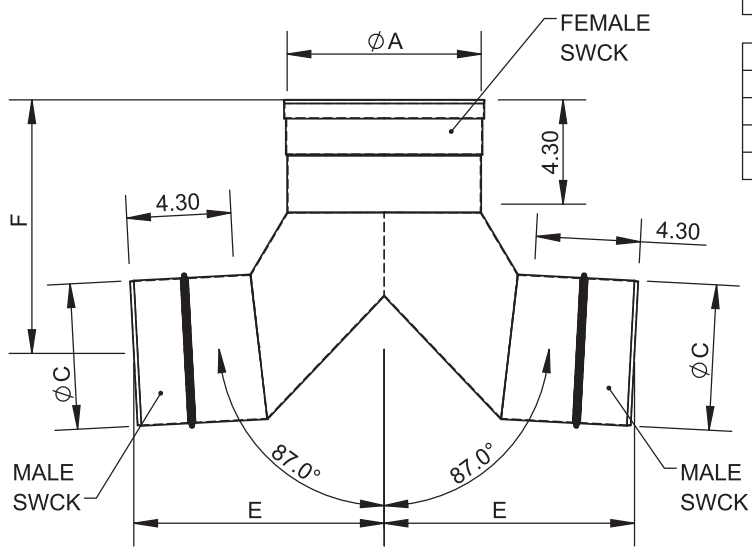


*FLANGE SUPPORT BAND INCLUDED
ON SIZES 14" AND ABOVE
*INCLUDES 1 LOCKING BAND

		drawn by	JJR	model	SW-NAKS-CK	code	87EA	description	SW-NAKS-CKϕ-87EA 87 Elbow Access	
--	--	----------	-----	-------	------------	------	------	-------------	---------------------------------------------------------	--

Ø	6	7	8	9	10	11	12	13	14	16
A	6	7	8	9	10	11	12	13	14	16
C	Customer Dimension									
E	Customer Dimension									
F	Customer Dimension									

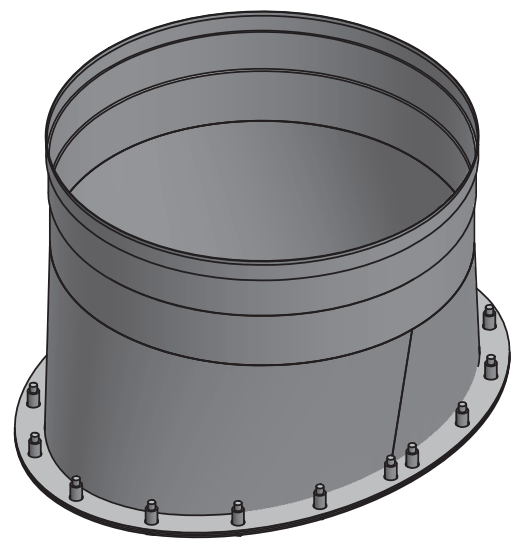
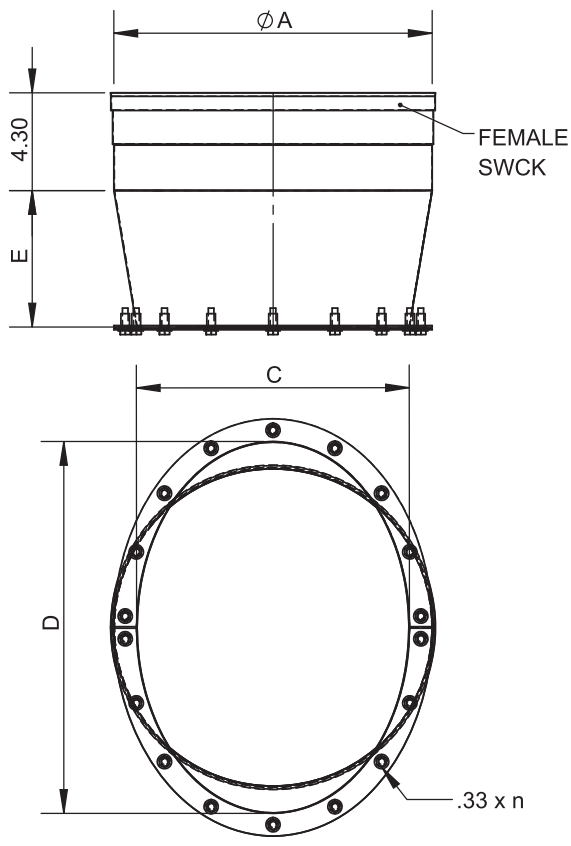
Ø	18	20	22	24	26	28	30	32	34	36
A	18	20	22	24	26	28	30	32	34	36
C	Customer Dimension									
E	Customer Dimension									
F	Customer Dimension									



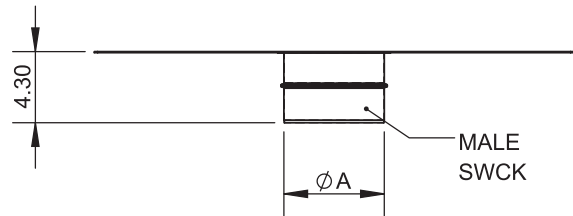
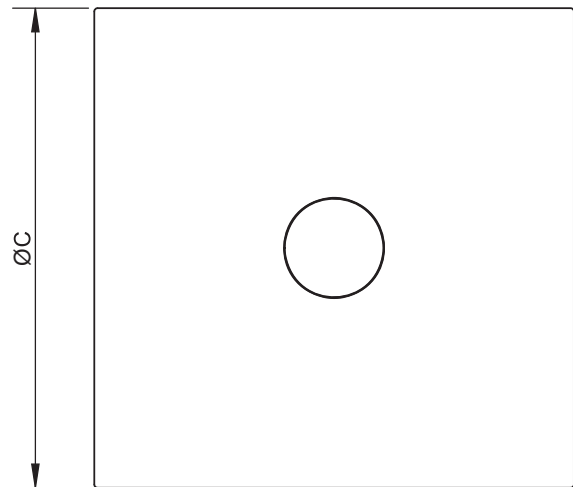
*INCLUDES 2 LOCKING BANDS

	drawn by	JJR	model	SW-NAKS-CK	code	87BHT	description	SW-NAKS-CKØ-87BHT 87 Degree Bull Head Tee		
--	----------	-----	-------	------------	------	-------	-------------	-------------------------------------------	--	--

Ø	14	16	18	20
A	14	16	18	20
C	12			
D	16.35	21.3	26.25	31.2
E	7	10	13	16
n	18	18	22	22
lb	8.69	12.30	16.65	21.45

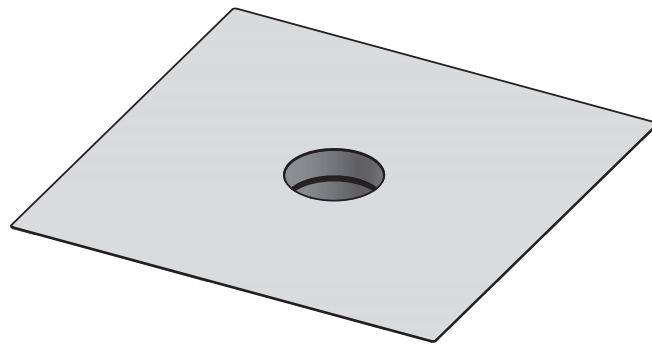


	drawn by	JJR	model	SW-NAKS-CK	code	NWHO	description	SW-NAKS-CKØ-NWHO No Weld Hoof Adapter Oval - Start		
--	----------	-----	-------	------------	------	------	-------------	----------------------------------------------------	--	--



Ø	6	7	8	9	10	11	12	13	14	16
A	6	7	8	9	10	11	12	13	14	16
C	29									
lb	15.36	15.31	15.25	15.16	15.05	14.89	14.72	14.52	14.30	13.75

Ø	18	20	22	24	26	28	30	32	34	36
A	18	20	22	24	26	28	30	32	34	36
C	36				42			48		
lb	21.16	20.39	19.51	19.51	26.77	25.65	24.42	32.63	31.17	29.59



*INCLUDES 1 LOCKING BAND

		drawn by JJR	model SW-NAKS-CK	code FPE	description SW-NAKS-CKØ-FPE Fan Plate Adapter - End
--	--	-----------------	---------------------	-------------	---------------------------------------------------------------