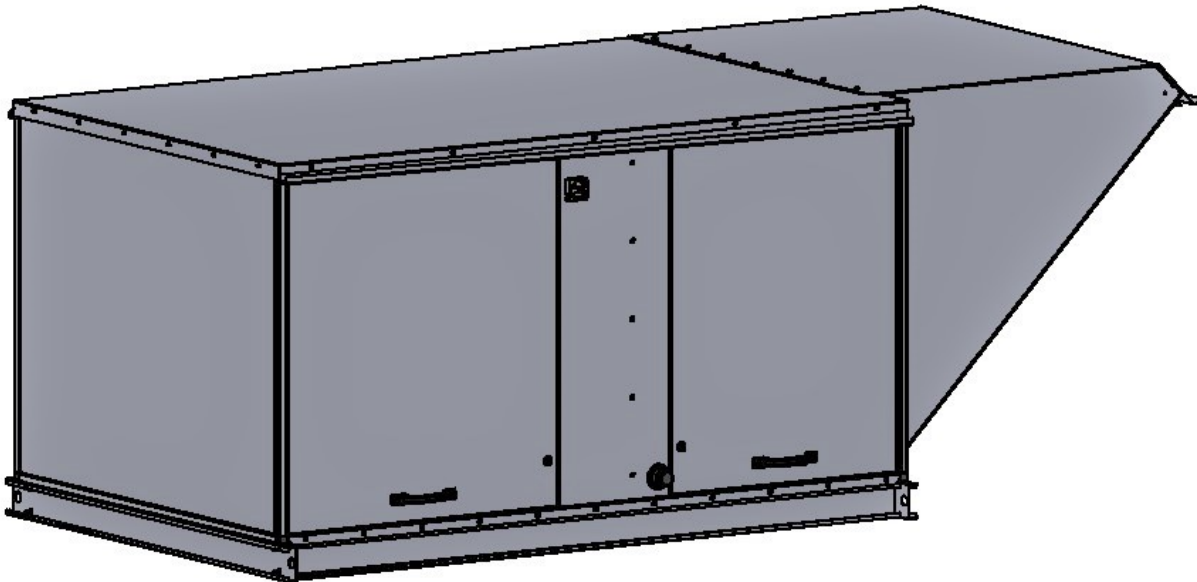


## Gas-Fired Tempered Make-Up Air Unit

Model:

T1-1200-208-3

3-Phase, 208V, 0.50 HP, Belt driven with Motorized Damper and 10-8" Blower. MAX 2,200 CFM





T1-HOX Direct Fired (350 lbs.)

**Supply Motor:**

Model K158, 0.50 HP, 208-3-60, 2.10 FLA, TEFC (Totally Enclosed Fan Cooled)

**Supply Motor Pulleys:**

| <u>Part Type</u> | <u>Qty</u> | <u>Browning #</u> | <u>Turns Out</u> |
|------------------|------------|-------------------|------------------|
| Blower Pulley    | 1          | MA38 x 3/4        |                  |
| Motor Pulley     | 1          | 1VP34 x 5/8       | 4.0              |

**Burner:**

Min Output BTU: 18,000 BTU/Hr  
Max Output BTU: 375,000 BTU/Hr  
Size: 6" long  
Gas Type: Natural

**Supply Performance:**

Volume: 1200 cfm Volume Range: 800-2200 cfm  
RPM: 1044  
TS: 3041 ft/min  
SP: 1.15" w.g.  
0.50" Ext. + 0.40" Int. + 0.25" Opt.  
BHP: 0.38

**Heating Schedule:**

Altitude: 0'  
Winter Entering Air Dry Bulb Temp: 0°F  
Temp Rise: 100°F  
Output BTU: 123,000  
Input BTU: 134,000  
BTUs BASED OFF STANDARD AIR DENSITY

**Supply Installation Information:**

Gas Inlet Pressure: 7 in. w.c. - 14 in. w.c.  
Insurance: FM/ETL  
Unit Main Input: 5.63 Amps MCA, 7 Amps MOP, 208 V, 14 AWG Wire Min.  
Supply Unit Voltage: 208v-3ph-60hz

**Construction Features**

Housing constructed of heavy-duty unpainted G90 galvanized steel • Forward curved centrifugal blower wheel • Vibration isolation • Adjustable drive assemblies • Adjustable motor mount • Ball bearing motors • Heavy duty, pre-lubricated bearings L10 rated for 100,000 hours of operation • Static resistant belts • Service doors on both sides • Horizontal & down discharge • Large intake area ensures low pressure drop across unit • Electronic Burner Profiler System automatically adjusts for any airflow - no manual setting required! • Weatherproof safety disconnect switch • Modular design provides design flexibility • Fully insulated casing

**Blower:**

10-8" forward curved, centrifugal blower. Permanently lubricated ball bearings. Galvanized finish. 3/4" shaft. 3,000 max. RPM. Used in heated and non-heated supply fans.

**Temp Control:**

Maxitrol Series 14 • 40-90°F Discharge Temp Control • Field Wired On/Off Start Command; Temperature set point dial @ main/unit panel.

**Intake:**

Sloped Filtered Intake for T1 Modular Heater. 23" Wide x 21" Long x 24" High. Includes 2" MV EZ Kleen Metal Mesh Filters.

**Filters:**

1x MV EZ Kleen Metal Mesh Filter. 25"x 20"x 2" Used for heater and supply fan intakes.

**Selected Options:**

- Motorized Inlet Damper 16"W x 16"H for T1 Modular Heating Units w/Extended Shaft, Standard Galvanized Construction, 3/4" Rear Flange, LMX24-3-S Belimo Actuator Included (with end switch)
- Low Fire Start. Allows the burner circuit to energize when the modulation control is in a low fire position.



# DELHI INDUSTRIES SUBMITTAL Date: 06-2020

Project No: \_\_\_\_\_ Submitted by: \_\_\_\_\_  
 Project Name: \_\_\_\_\_  
 Location: \_\_\_\_\_  
 Engineer: \_\_\_\_\_  
 Architect: \_\_\_\_\_  
 Reference: \_\_\_\_\_ ( ) \_\_\_\_-\_\_\_\_ ( ) \_\_\_\_-\_\_\_\_

## Equipment Tag

Contractor: \_\_\_\_\_

## Model Information

### Series G: DWDI, FC, CENTRIFUGAL

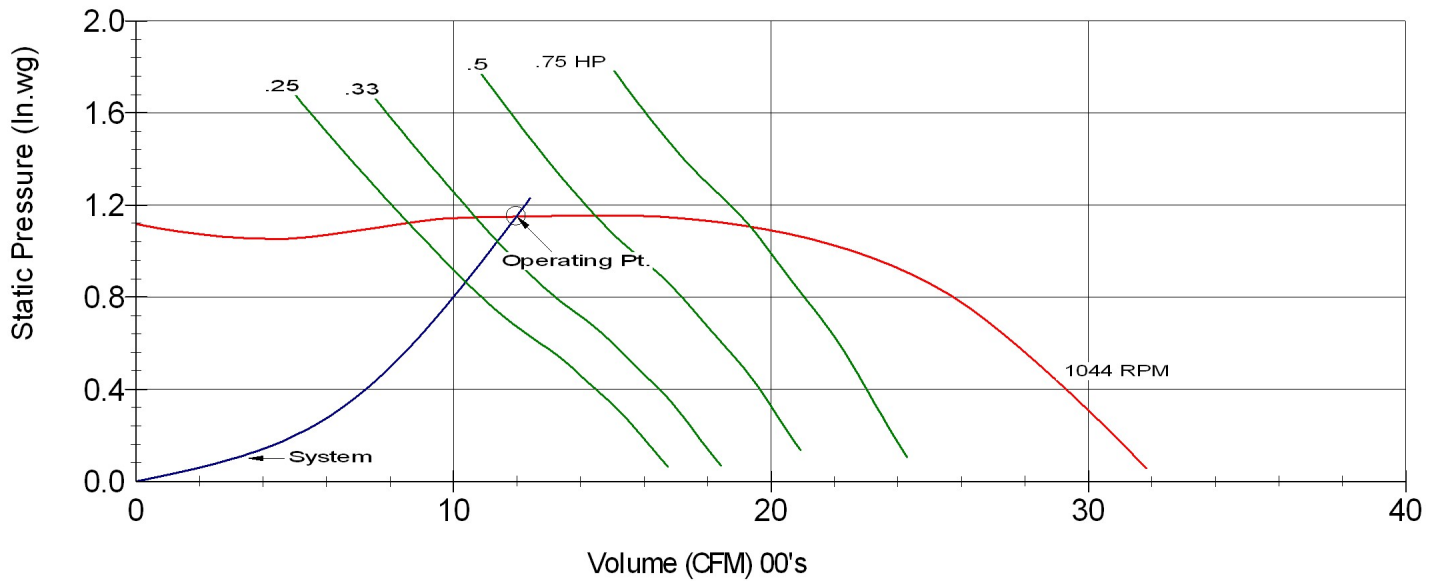
|              |                           |                      |
|--------------|---------------------------|----------------------|
| Model: G10-8 | Part Number: ---          |                      |
| CFM: 1200    | Shaft Diameter: 0.75 in.  | Unit Weight: 23 lbs. |
| SP: 1.15     | Wheel Diameter: 11.1 in   | Ship Weight: 25 lbs. |
| RPM: 1044    | Tip Speed: 3041 FPM       |                      |
| BHP: 0.38    | Static Efficiency: 56.5 % | Elevation: 0 ft      |
|              | Outlet Velocity: 1447 FPM | Temperature: 70 F    |

## Sound Data

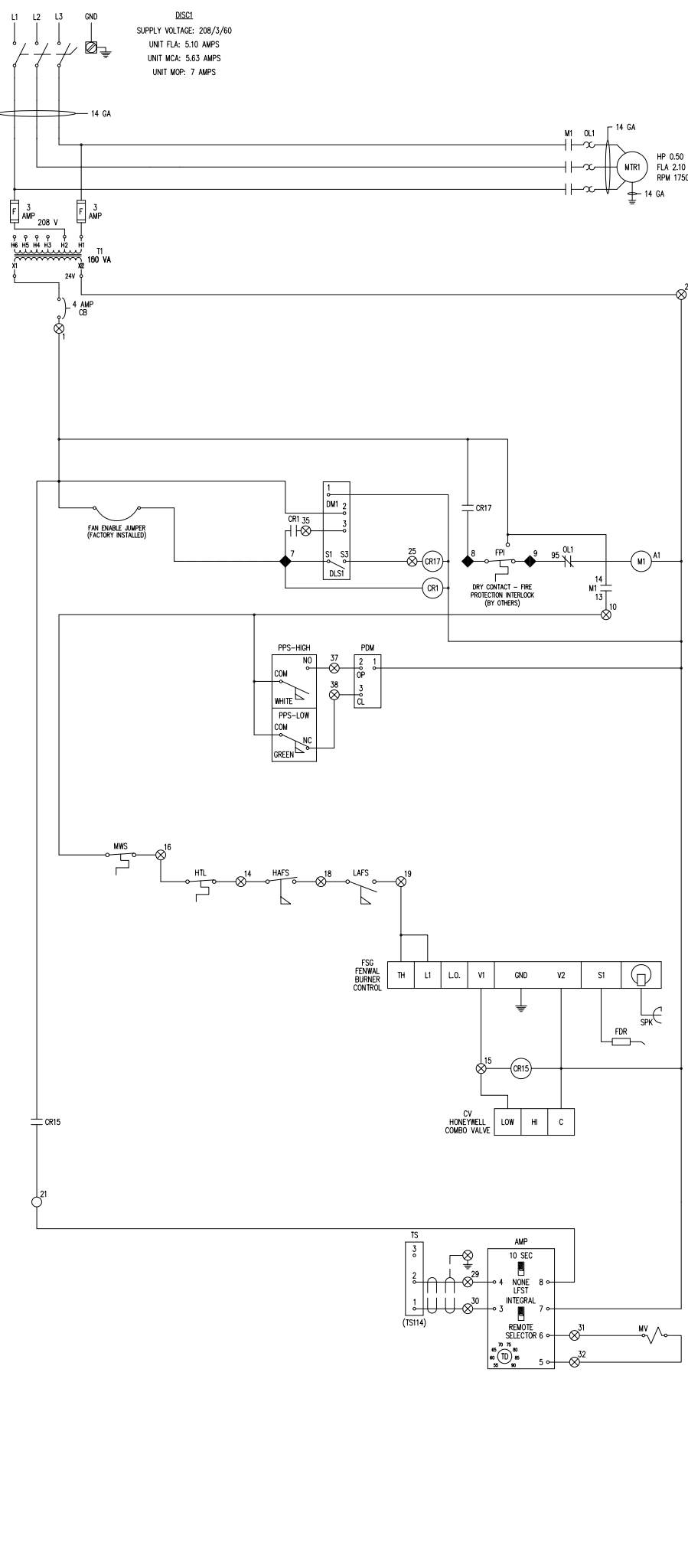
|   |   |     |     |     |      |   |      |      |      |             |
|---|---|-----|-----|-----|------|---|------|------|------|-------------|
|   | 63  | 125 | 250 | 500 | 1000 | 2000  | 4000 | 8000 | (Hz) | LwA: 80     |
| Sound Power Level @<br>Frequency, re: 10 <sup>-12</sup> Watts | 85  | 83  | 80  | 76  | 73   | 72  | 68   | 66   | (dB) | SONES: 17.5 |
|   | Ducted inlet or ducted outlet dBA@10ft. <b>64</b> |     |     |     |      | Ducted inlet or ducted outlet dBA@10ft. <b>64</b> |      |      |      |             |

## Performance Curve

DELHI Model G10-8 x 3/4  
 CFM=1200 SP=1.15 BHP=0.38 S. Eff=56.5% RPM=1044



1  
2  
3  
4  
5  
6  
7  
8  
9  
10  
11  
12  
13  
14  
15  
16  
17  
18  
19  
20  
21  
22  
23  
24  
25  
26  
27  
28  
29  
30  
31  
32  
33  
34  
35  
36  
37  
38  
39  
40  
41  
42  
43  
44  
45  
46  
47  
48  
49  
50  
51  
52  
53  
54  
55  
56  
57  
58  
59  
60  
61  
62  
63  
64  
65  
66  
67  
68  
69  
70  
71  
72  
73  
74  
75  
76  
77  
78  
79  
80  
81  
82  
83  
84  
85  
86  
87  
88  
89  
90  
91  
92  
93  
94  
95  
96  
97  
98  
99  
100  
101  
102  
103  
104  
105  
106  
107  
108  
109  
110  
111  
112  
113  
114  
115  
116



PROPRIETARY

PLEASE NOTE

DISCONNECT SWITCH

SUPPLY FAN MOTOR OVERLOAD RELAY

SUPPLY FAN MOTOR

CONTROL TRANSFORMER

CIRCUIT BREAKER

INLET DAMPER MOTOR

FAN ENABLE JUMPER

DAMPER LIMIT SWITCH

SUPPLY FAN MOTOR CONTACTOR

DAMPER RELAY

UNIT ENABLE RELAY

PROFILE PRESSURE SWITCH (HIGH)

PROFILE DAMPER MOTOR

PROFILE PRESSURE SWITCH (LOW)

MILD WEATHER STAT

HIGH TEMPERATURE LIMIT SWITCH

HIGH AIR FLOW SWITCH

LOW AIR FLOW SWITCH

FLAME SAFEGUARD CONTROL

SPARK IGNITOR

FLAME DETECTION ROD

BURNER ON RELAY

DIRECT IGNITION COMB. GAS VALVE

TEMPERATURE CONTROL AMPLIFIER

DISCHARGE TEMPERATURE SENSOR

MODULATING GAS VALVE

TEMPERATURE DIAL

ALL FIELD WIRING SHALL BE THWN, THHN OR MTW WIRE TYPE (OR SHIELDED CABLE WHERE NOTED ON SCHEMATIC) RATED FOR 75° C AND LABELED OR IDENTIFIED AT EACH END FOR EACH CONNECTION BEING MADE. WIRING SHALL BE INSTALLED PER NEC AND LOCAL CODE REQUIREMENTS

ALL CONTROL WIRING SHALL BE AS FOLLOWS:

| GAUGE | MAX. DISTANCE |
|-------|---------------|
| 18    | 50'           |
| 16    | 75'           |
| 14    | 150'          |
| 12    | 250'          |

\* DO NOT RUN LINE VOLTAGE WIRES WITH CONTROL WIRES \*

LEGEND

| SYMBOL | DEFINED AS   |
|--------|--|
|        | (GND) EARTH GROUND GALV. ZINC, MAGNESIUM ROD                                     |
|        | WIRE NUMBERS   |
|        | TERMINALS IN CONTROL PANEL   |
|        | TERMINALS IN REMOTE PANEL  |
|        | REMOTE PANEL WIRING  |
|        | FIELD WIRING BETWEEN TERMINALS IN REMOTE PANEL & TERMINALS IN UNIT CONTROL PANEL |
|        | SHIELDED CABLE   |
|        | FIELD INSTALLED & WIRED  |
|        | FIELD CONNECTION   |

UNIT SET POINTS

| DEVICE      | RECOMMENDED SETTING:  |
|-------------|-----------------------|
| HAFS / LAFS | 0.60" / 0.20" WC      |
| HTL         | 130° F                |
| MWS         | 65° F                 |
| PPS-HIGH    | CLOSES ABOVE 0.35" WC |
| PPS-LOW     | CLOSES BELOW 0.25" WC |
| -           | -                     |
| -           | -                     |
| -           | -                     |
| -           | -                     |
| -           | -                     |

REVISIONS

| REV. | DATE | REV. BY |
|------|------|---------|
| -    | -    | -       |
| -    | -    | -       |
| -    | -    | -       |
| -    | -    | -       |
| -    | -    | -       |
| -    | -    | -       |



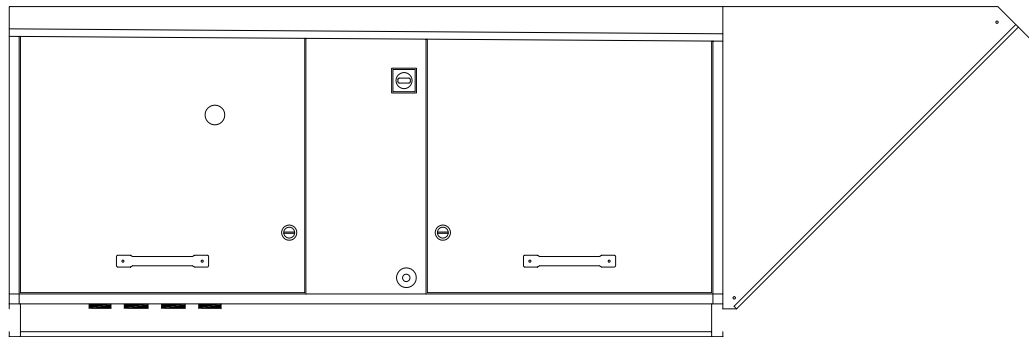
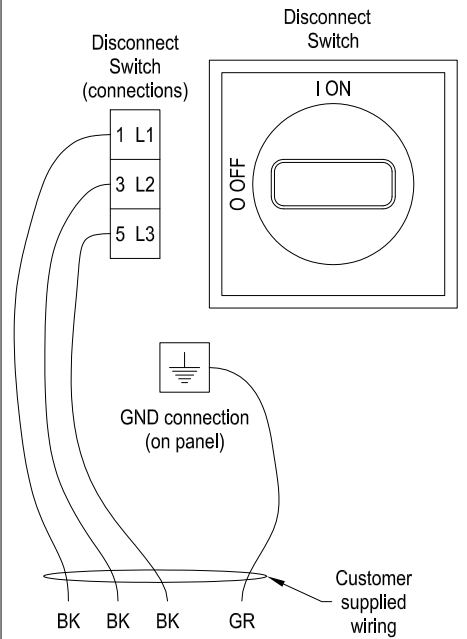
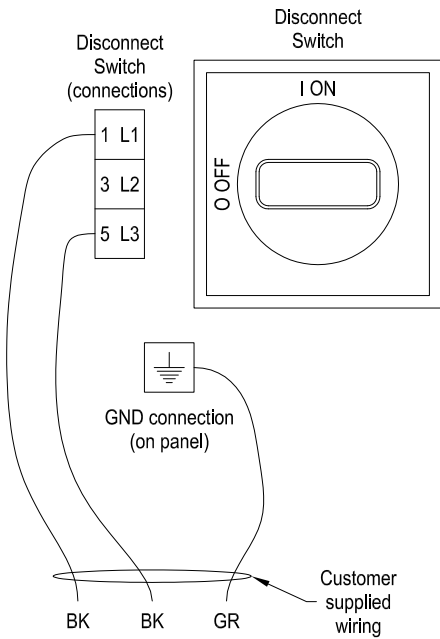
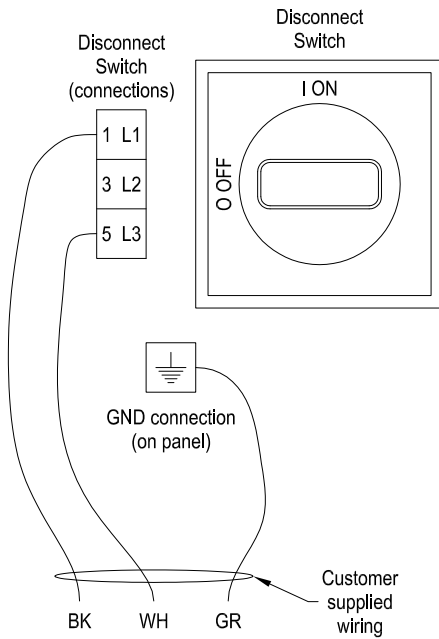
PROJECT INFORMATION

|               |               |
|---------------|---------------|
| PROJECT NAME: |               |
| MODEL NO.:    | T1-HOX        |
| SERIAL NO.:   | -             |
| TAG:          | -             |
| DATE:         | 06-2020       |
| SCALE:        | NONE          |
| DRAWN BY:     | BMA           |
| DRAWING NO.:  | T1-1200-208-3 |

115-1-60

208/230-1-60

208/230/460/575-3-60

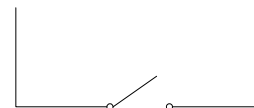


Power Connection  
(see above for details)

Control Connection  
(see below for details)

Connect to  
Terminal 1

Connect to  
Terminal 7



Fan Switch / Interlock  
Field provided BY OTHERS



PROJECT NAME: NAKS T1-T5 DIRECT FIRED MUA INSTALLATION WIRING

REF. NO./JOB NO.: -

MODEL: T1-T5

TAG: -

DRAWN BY: -

DATE: 06-2020

SCALE: NONE

CERTIFIED BY:

DRAWING NO.:

T1-T5\_INSTALL