

VENTLESS EXHAUST HOOD

QUICK START GUIDE

REV. July 2023



Photo above shows 24" size. This manual is for 24", 39", and 48" sizes.

NORTH AMERICAN KITCHEN SOLUTIONS, INC.
172 REASER COURT
ELYRIA, OH 44035
PHONE: (800) 854-3267
FAX: (800) 365-2100

Warning –

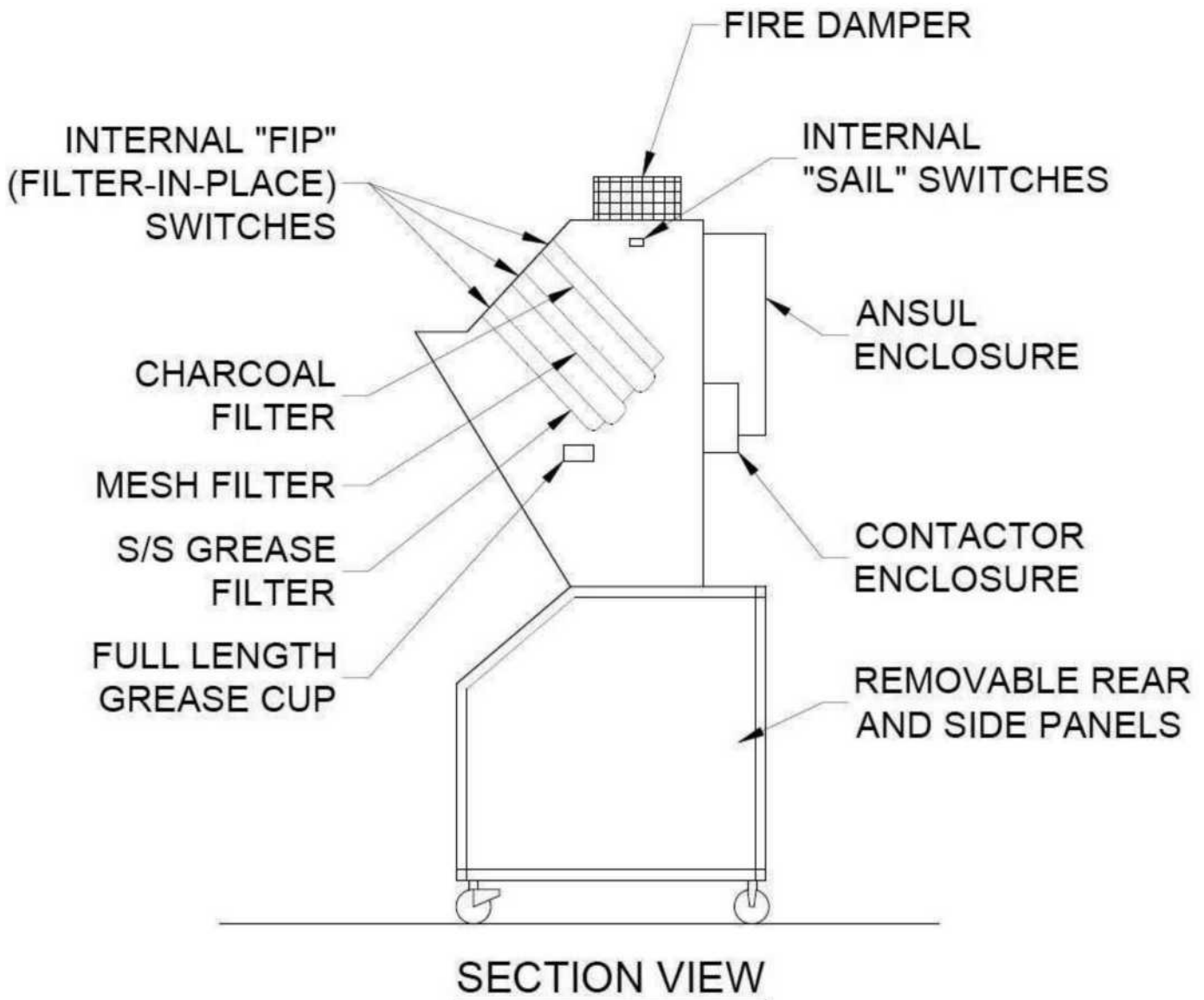
Unit cannot be powered up without damage to the unit until both a Licensed Ansul Installer and Licensed Electrical Contractor have reviewed the installation

- Place Hood system in area where it is to be used, leaving at least 30” clearance on the same side as the pull station (Left side unless specified otherwise) and 18” to the ceiling
- Prior to applying power, a licensed Ansul fire system installer must perform final installation, connect (clip/snap) damper release to Ansul enclosure, charge, and test the system.
- After Fire System installation is complete, have a licensed contractor perform the next steps:
 - Connect 208-240/1-3/60 power to the top side of the contactor
Connect power cable from the cooking equipment to the bottom side of the contactor
 - Turn main breaker on to unit
- Look at the top of the unit to ensure you can see the blower outlets (2 for VH-24, 3 for VH-36 & VH-42, or 4 for VH-48)
- Flip the toggle switch to the “ON” position
- If FIP (Filter-In-Place) light is red, review filter placement to ensure all filters are in place and depressing the switch at the top of each filter
 - For clarification, please review filter location Figure #1 on back of this sheet
- If Ansul light is Red, contact Fire System Installer
- If unit operates for 10 seconds, turns off, and Sail (Verifies air-flow past the “Sail” Switch) is Red, verify dampers are open
- If all warning lights (FIP, Sail, Ansul) are off, and power light is on, Hood is now operating and will be supplying power to cooking equipment

Notes on older units:

- If your unit comes with an Electro-Thermal Fusible Link, a second link is included in this packet for use at time of fire inspection. Replacement instructions are included with this packet
- If your unit comes with a reset button next to the on/off switch, hold for 10 seconds to start the unit (newer unit have this feature automated)

Figure 1



DISCLAIMER FOR THE USE OF VENTLESS HOODS IN DONUT/FUNNEL CAKE FRYING APPLICATIONS

While our ventless hoods are guaranteed to pass state code, the larger exposed frying surface of donuts/funnel cakes generates more vapors than most frying applications. Our ventless hood will filter the vapors from frying donuts/funnel cakes, but more heat and smell may be present than in typical frying applications. Adequate air replacement or recirculation in the room or space in which the fryer will be located is important in these situations. This disclaimer does not affect the warranty on the ventless unit in any way.