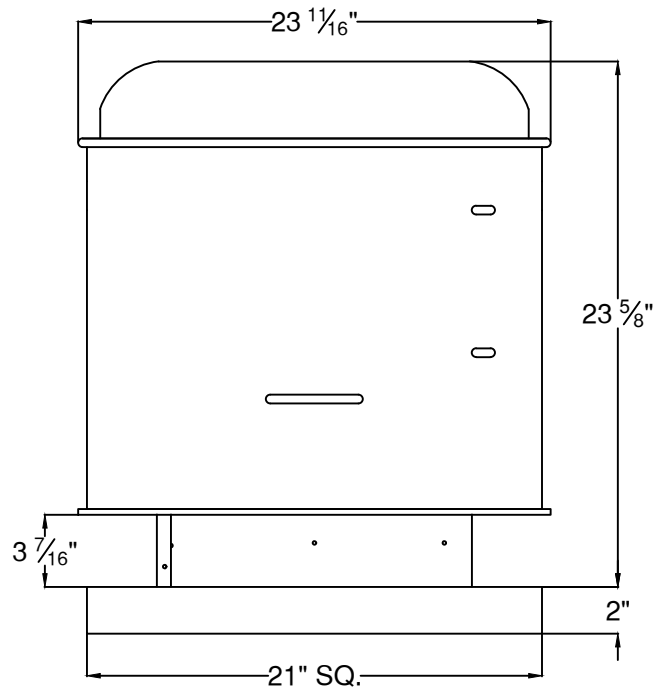
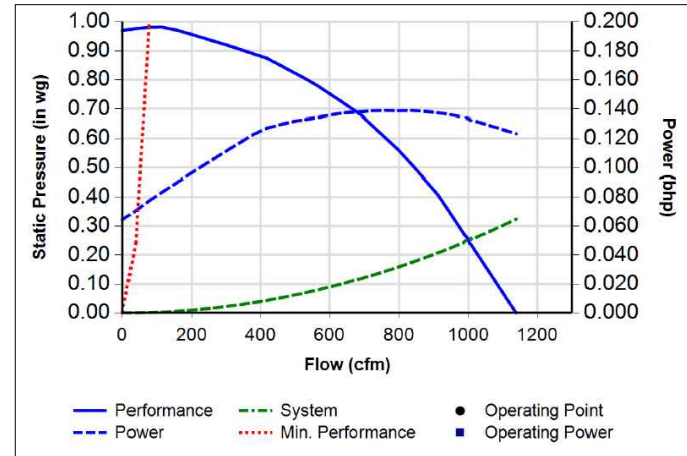


**MODEL # 20B-DB**  
**UL705 DOWNBLAST EXHAUST FAN**  
**BELT DRIVE**



**DIMENSIONAL DATA**  
**19 1/2" SQ. CURB**



**PERFORMANCE DATA**

<b>PHASE</b>	1	<b>VOLTS</b>	115
<b>AMPS</b>	6	<b>HP</b>	1/4

RPM	.000" S.P.		.125" S.P.		.250" S.P.		.375" S.P.		.50" S.P.		.625" S.P.		.750" S.P.		.875" S.P.		1.000" S.P.	
	CFM	Sone	CFM	Sone	CFM	Sone	CFM	Sone	CFM	Sone	CFM	Sone	CFM	Sone	CFM	Sone	CFM	Sone
1421	1014	8.8	936	8.4	858	8.3	769	7.8	708	8.1	714	8.8	729	9.9	583	9.6	367	9.6

**STANDARD FEATURES**

- LIFTING POINTS LOCATED ON MOTOR BASE FRAME
- VIBRATION ISOLATION
- ALUMINUM BIRD SCREEN
- CONDUIT POST THROUGH BASE'S CURB CAP
- BACKWARD INCLINED NON-OVERLOADING ALUMINUM WHEEL
- 5 YEAR WARRANTY-MAINTENANCE FREE BEARINGS-PATENTED STEEL
- SHAFT-RATED AT L-50 LIFE OF 200000 HOURS
- VARIABLE PITCH DRIVES DESIGNED FOR 1.5 SERVICE FACTOR
- NEMA 1 DISCONNECTED SWITCH MOUNTED & WIRED
- MOTOR BEARINGS ARE PERMANENTLY LUBRICATED
- 2 YEAR FAN/MOTOR WARRANTY
- AVERAGE UNIT WEIGHT: 82 LBS
- AVERAGE SHIPPING WEIGHT: 83 LBS



**LISTED**  
FANS  
**UL 705**

14034 2/20