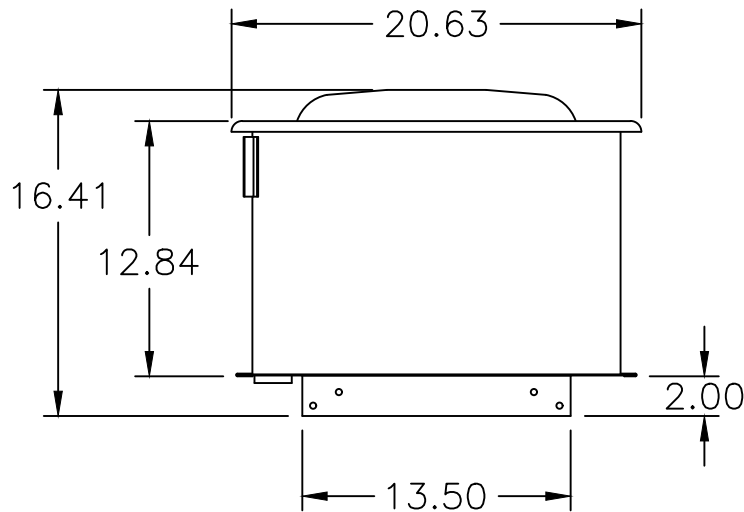


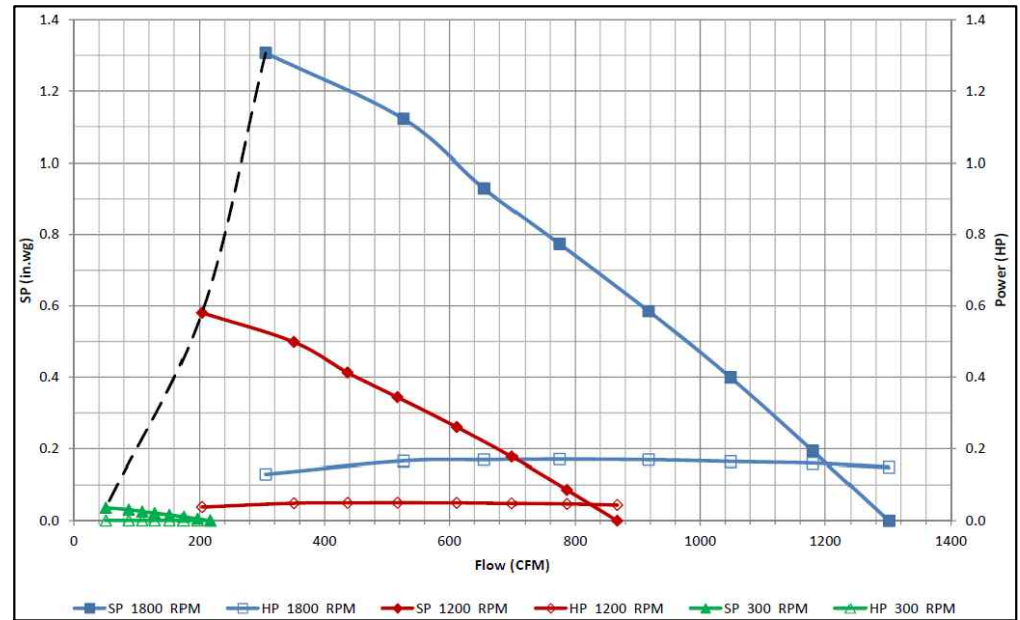
MODEL# **10DECA**

**UL762 UPBLAST EXHAUST FAN
DIRECT DRIVE**



DIMENSIONAL DATA
13" SQ. CURB

PERFORMANCE DATA



PHASE	1	VOLTS	115/230
AMPS	5.8/2.9	HP	1/4

RPM	.000" S.P.	.250" S.P.	.50" S.P.	.75" S.P.	1.00" S.P.	1.25" S.P.
	CFM	CFM	CFM	CFM	CFM	CFM
1800	1299	1144	978	793	611	385

STANDARD FEATURES

- EFFICIENT EC MOTOR WHICH CAN RUN DOWN TO 10% OF SPEED
- HEAVY GAUGE ALUMINUM HOUSING
- 2 YEAR LIMITED WARRANTY ON ALL ELECTRIC MOTORS
- FACTORY SET DRIVE
- DIRECT DRIVEN MOTORS ARE ENCLOSED IN WEATHER-TIGHT COMPARTMENTS
- AVERAGE UNIT WEIGHT: 37 LBS
- AVERAGE SHIPPING WEIGHT: 58 LBS



FANS
UL 762
14087 3-20