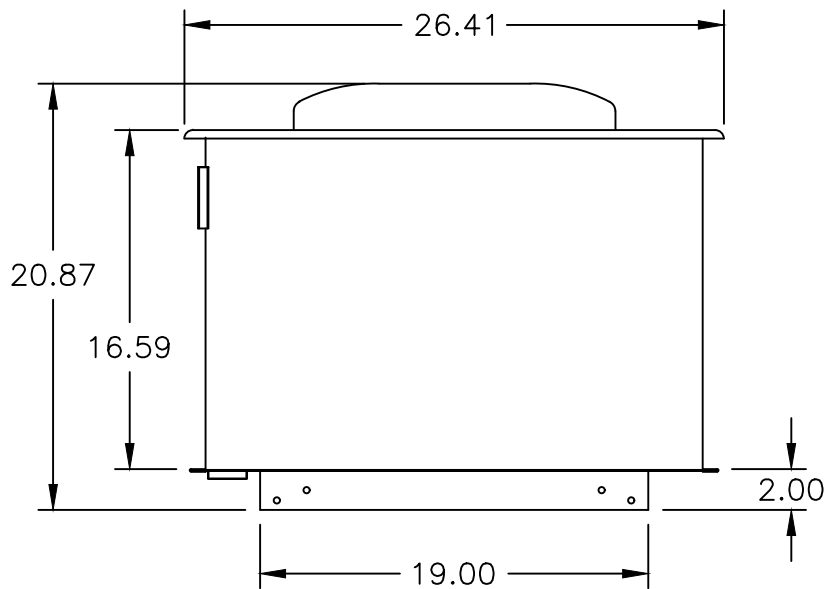


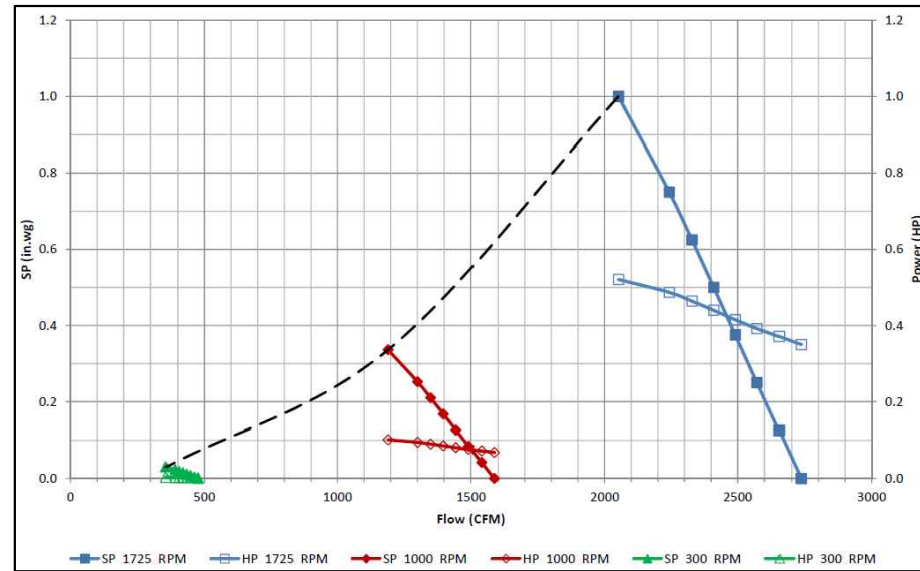
MODEL# **28DECA**

**UL762 UPBLAST EXHAUST FAN  
DIRECT DRIVE**



**DIMENSIONAL DATA**  
18-1/2" SQ. CURB

**PERFORMANCE DATA**



<b>PHASE</b>	1	<b>VOLTS</b>	115/230
<b>AMPS</b>	9.8/4.9	<b>HP</b>	1/2

RPM	.000" S.P.	.250" S.P.	.50" S.P.	.75" S.P.	1.00" S.P.	1.25" S.P.
	CFM	CFM	CFM	CFM	CFM	CFM
1725	2735	2572	2410	2242	2050	1784

**STANDARD FEATURES**

- EFFICIENT EC MOTOR WHICH CAN RUN DOWN TO 10% OF SPEED
- HEAVY GAUGE ALUMINUM HOUSING
- 2 YEAR LIMITED WARRANTY ON ALL ELECTRIC MOTORS
- FACTORY SET DRIVE
- DIRECT DRIVEN MOTORS ARE ENCLOSED IN WEATHER-TIGHT COMPARTMENTS
- AVERAGE UNIT WEIGHT: 50 LBS
- AVERAGE SHIPPING WEIGHT: 72 LBS



FANS  
**UL 762**  
14089 3/20