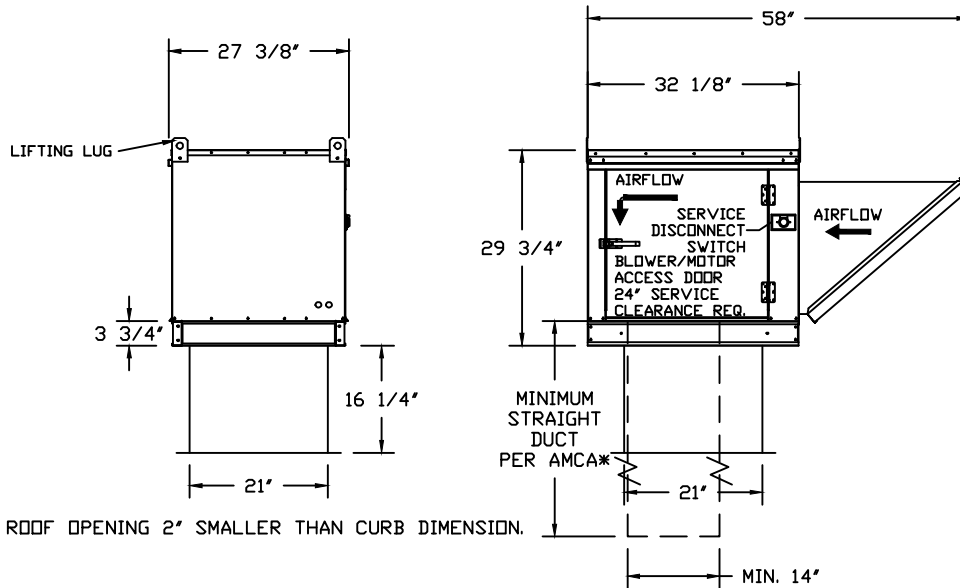
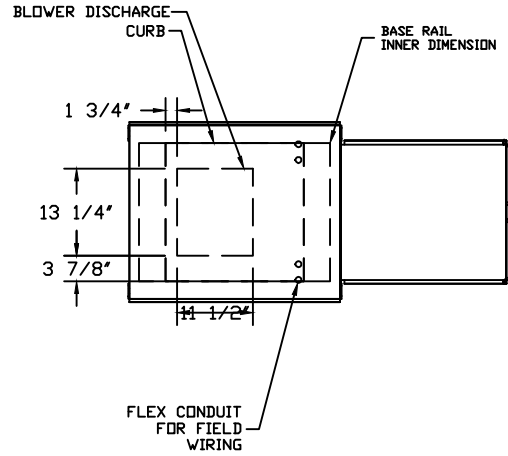


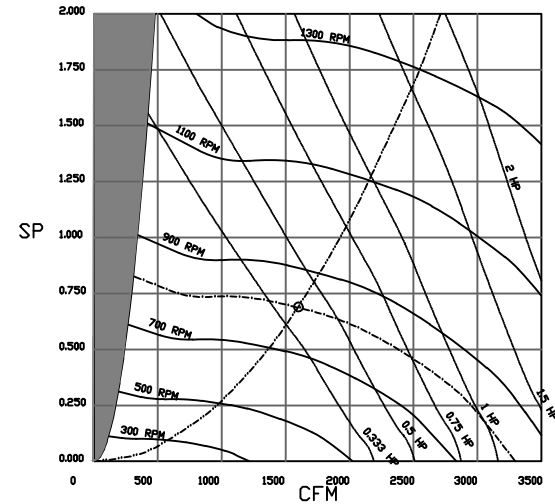
**MODEL #
SF7PH3H**

**UL705 FRESH AIR
SUPPLY FAN BELT**



**DIMENSIONAL DATA
21" SQ. CURB**

PERFORMANCE DATA



PHASE	3	VOLTS	230/460
AMPS	2.8/1.4	HP	3/4

CFM	Static Pressure in Inches W.G.						
	0	0.125	0.25	0.375	0.5	0.625	0.75
500	RPM/BHP	399 / 0.05	560 / 0.14	678 / 0.25	774 / 0.37	858 / 0.50	931 / 0.64
1000	RPM/BHP	309 / 0.02	442 / 0.07	573 / 0.15	693 / 0.27	799 / 0.41	892 / 0.57
1500	RPM/BHP	462 / 0.08	552 / 0.13	641 / 0.21	730 / 0.31	817 / 0.43	902 / 0.58
2000	RPM/BHP	616 / 0.19	685 / 0.26	752 / 0.34	818 / 0.44	884 / 0.55	951 / 0.68
2500	RPM/BHP	769 / 0.36	825 / 0.45	880 / 0.54	933 / 0.65		

STANDARD FEATURES

- FLEXIBLE FORWARD CURVED BELT DRIVE BLOWERS
- OPERATE AT LOW SPEED AND LOW NOISE LEVELS
- GALVANIZED STEEL HOUSING
- HEAVY DUTY BALL BEARINGS SUITABLE FOR -65° TO +250° F
- WEATHER PROOF CABINET DESIGNED FOR OUTDOOR ROOF MOUNTING
- FILTERS DESIGNED WITH LARGE SURFACE AREA FOR EFFICIENT FILTRATION
- WASHABLE ALUMINUM MESH FILTER ARE LOCATED IN THE INTAKE HOOD AND ARE ACCESSIBLE THROUGH THE HOOD END CAP FOR EASE OF SERVICE
- EASY ON-SITE ADDITION OF CUSTOMER SUPPLIED AIR SUPPLY DUCT
- EXTENSION BETWEEN THE INTAKE HOOD AND UNIT PROVIDES ADDITIONAL SEPARATION WHERE NECESSARY
- MIAMI DADE IMPACT AND WIND CERTIFICATION +30/-130 PSF -
- MIAMI DADE COUNTY PRODUCT CONTROL APPROVED,
- FLORIDA BUILDING CODE APPROVAL
- AVERAGE UNIT WEIGHT: 208 LBS
- AVERAGE SHIPPING WEIGHT: 240 LBS
- HURRICANE RATED

