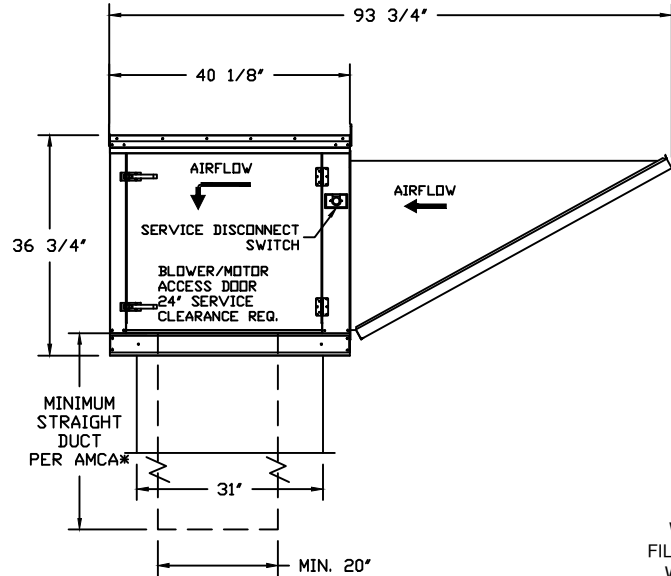
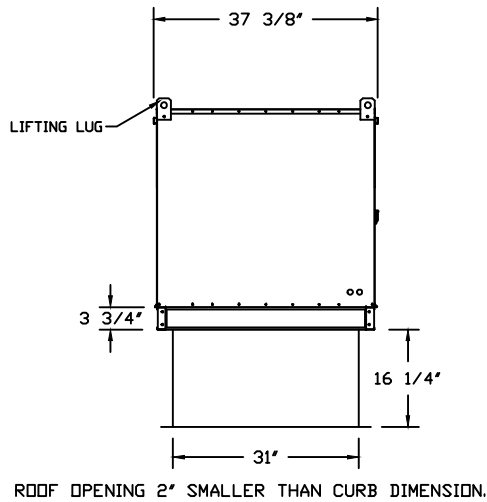
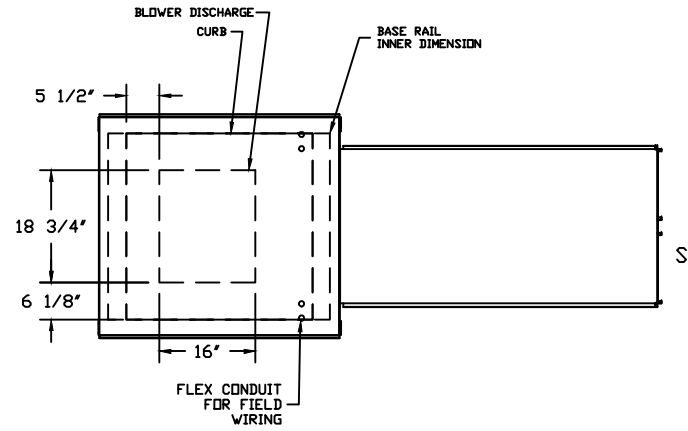
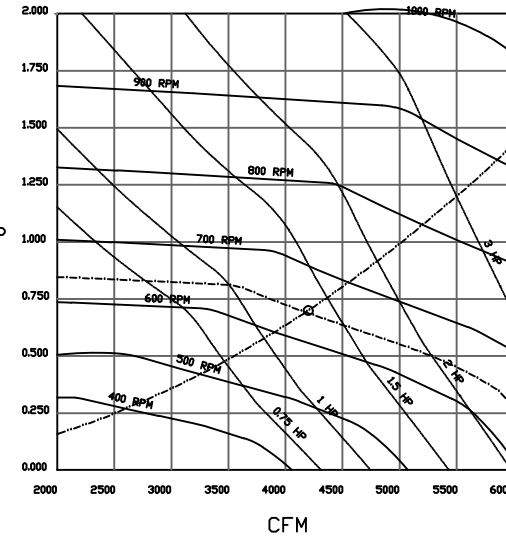


**MODEL #
SF10PH3H**

**UL705 FRESH AIR
SUPPLY FAN BELT**



PERFORMANCE DATA



PHASE	3	VOLTS	230/480
AMPS	5.2/2.6	HP	1 1/2

CFM	Static Pressure in Inches W.G.								
	0	0.25	0.5	0.75	1	1.25	1.5	1.75	2
2000	RPM/BHP 362 / 0.18	RPM/BHP 491 / 0.32	RPM/BHP 600 / 0.47	RPM/BHP 695 / 0.65	RPM/BHP 780 / 0.83	RPM/BHP 855 / 1.02	RPM/BHP 923 / 1.21	RPM/BHP 986 / 1.41	
2500	RPM/BHP 383 / 0.28	RPM/BHP 501 / 0.42	RPM/BHP 601 / 0.59	RPM/BHP 692 / 0.79	RPM/BHP 775 / 0.99	RPM/BHP 851 / 1.21	RPM/BHP 921 / 1.44		
3000	RPM/BHP 409 / 0.42	RPM/BHP 518 / 0.57	RPM/BHP 611 / 0.75	RPM/BHP 696 / 0.96	RPM/BHP 775 / 1.18	RPM/BHP 848 / 1.42			
3500	RPM/BHP 345 / 0.40	RPM/BHP 438 / 0.60	RPM/BHP 541 / 0.78	RPM/BHP 628 / 0.97	RPM/BHP 707 / 1.18	RPM/BHP 781 / 1.41			
4000	RPM/BHP 394 / 0.60	RPM/BHP 471 / 0.83	RPM/BHP 566 / 1.04	RPM/BHP 649 / 1.24	RPM/BHP 724 / 1.46				
4500	RPM/BHP 444 / 0.85	RPM/BHP 508 / 1.12	RPM/BHP 593 / 1.36						
5000	RPM/BHP 493 / 1.17	RPM/BHP 548 / 1.47							

STANDARD FEATURES

- FLEXIBLE FORWARD CURVED BELT DRIVE BLOWERS
- OPERATE AT LOW SPEED AND LOW NOISE LEVELS
- GALVANIZED STEEL HOUSING
- HEAVY DUTY BALL BEARINGS SUITABLE FOR -65° TO +250° F
- WEATHER PROOF CABINET DESIGNED FOR OUTDOOR ROOF MOUNTING
- FILTERS DESIGNED WITH LARGE SURFACE AREA FOR EFFICIENT FILTRATION
- WASHABLE ALUMINUM MESH FILTER ARE LOCATED IN THE INTAKE HOOD AND ARE ACCESSIBLE THROUGH THE HOOD END CAP FOR EASE OF SERVICE
- EASY ON-SITE ADDITION OF CUSTOMER SUPPLIED AIR SUPPLY DUCT
- EXTENSION BETWEEN THE INTAKE HOOD AND UNIT PROVIDES ADDITIONAL SEPARATION WHERE NECESSARY
- MIAMI DADE IMPACT AND WIND CERTIFICATION +30/-130 PSF -
- MIAMI DADE COUNTY PRODUCT CONTROL APPROVED,
- FLORIDA BUILDING CODE APPROVAL
- AVERAGE UNIT WEIGHT: 208 LBS
- AVERAGE SHIPPING WEIGHT: 240 LBS
- HURRICANE RATED

**DIMENSIONAL DATA
31" SQ. CURB**



FANS
UL 705