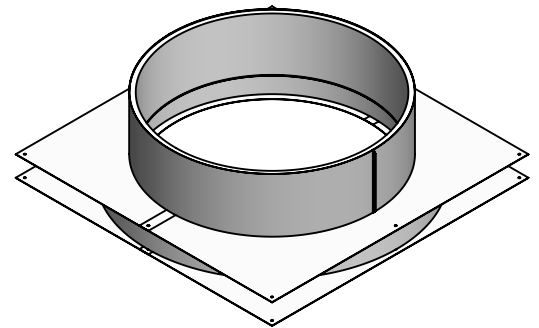
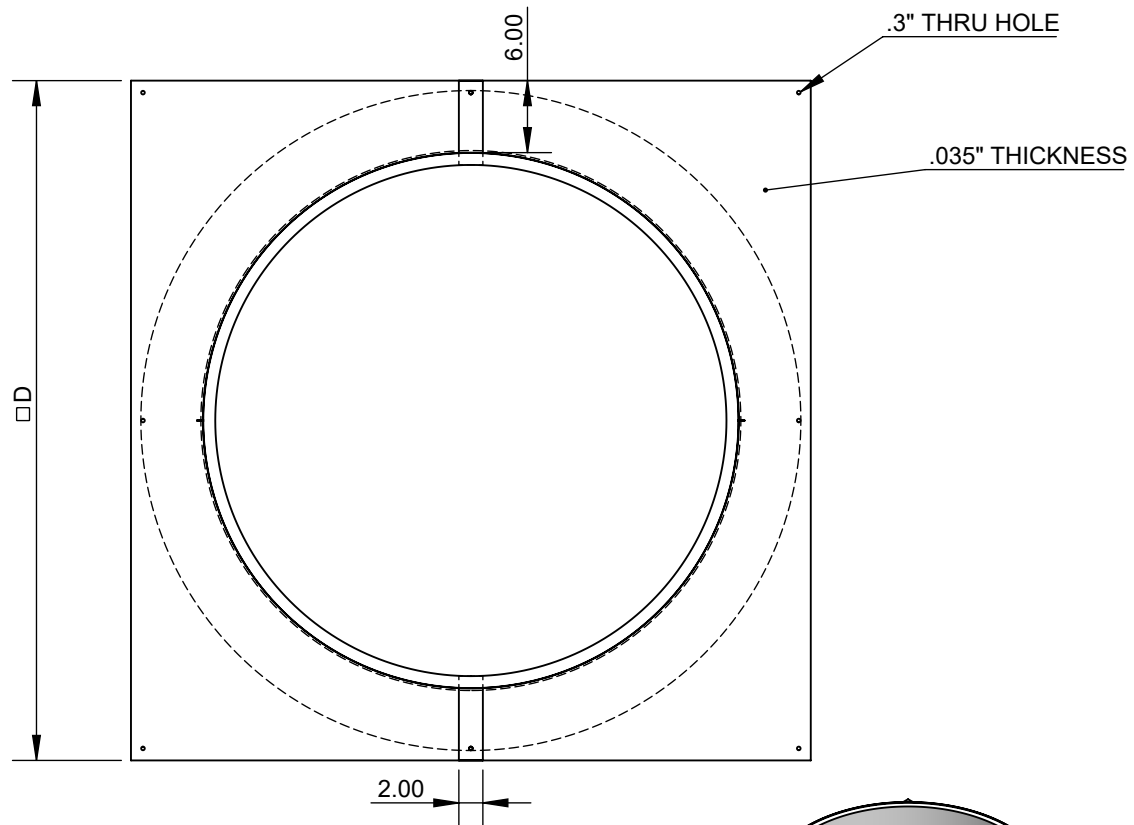
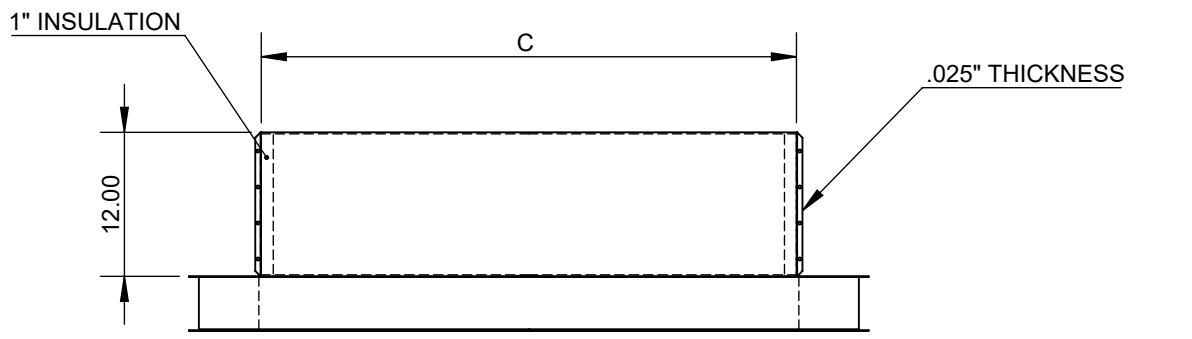



A
B
C
D
E



∅	10	12	14	16	18	20	22
C	18.5	20.5	22.5	24.5	26.5	28.5	30.5
D	24.5	26.5	28.5	30.5	32.5	34.5	36.5

material: inside/outside	surface: inside/outside	inch / lb			 NORTH AMERICAN KITCHEN SOLUTIONS INCORPORATED	scale
		revisions-no.				format US LETTER
F		date	name	description Through Penetration Firestop	sheet	
		drawn by			code DWNAKSØ-TPF	
		checked by			drawing no.	
		approved by				
		modified by			