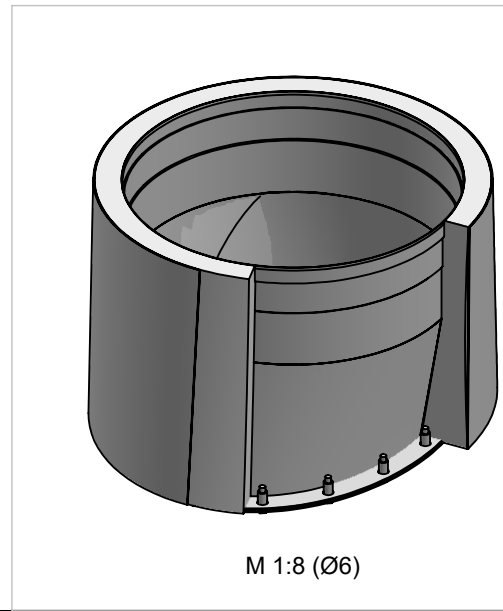
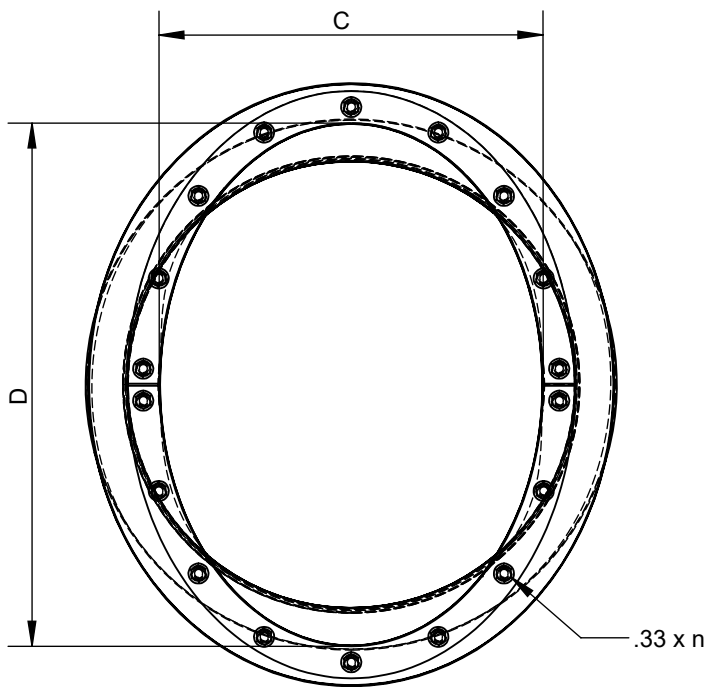
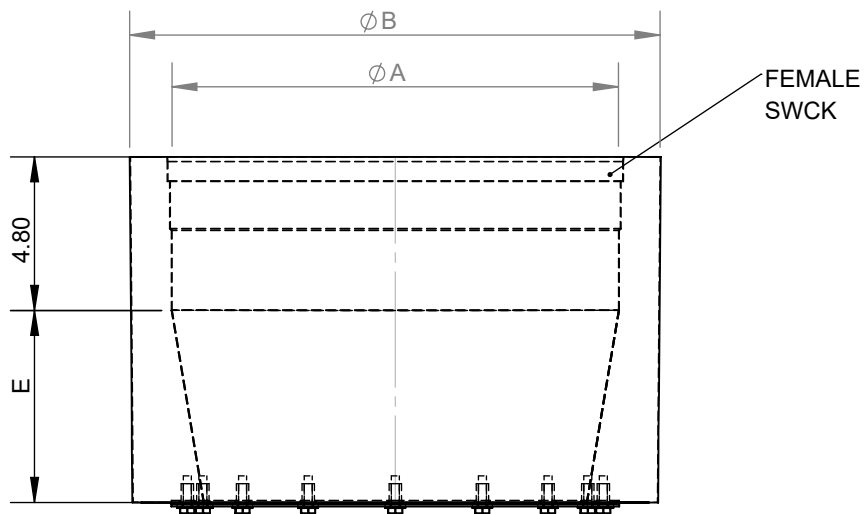



A  
B  
C  
D



$\phi$	14	16	18	20
A	14	16	18	20
B	16.5	18.5	20.5	22.5
C	12			
D	16.35	21.3	26.25	31.2
E	7	10	13	16
n	18	18	22	22
lb	17.16	24.29	32.65	41.98

material: inside/outside  surface: inside/outside  UL-no.	inch / lb		 <b>NORTH AMERICAN KITCHEN SOLUTIONS</b> INCORPORATED  No Weld Hood Adapter Oval - Start  code DW-NAKS-CKØ-NWHO  drawing no.	scale 1:6
	revisions-no.			format US LETTER
	date	name		sheet 1 of 1
	drawn by	2022		
	checked by			
approved by				
modified by				

