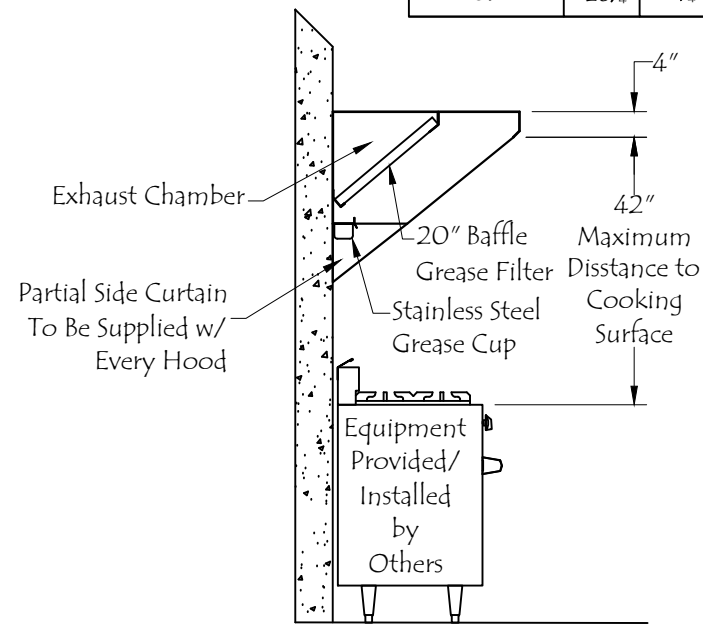
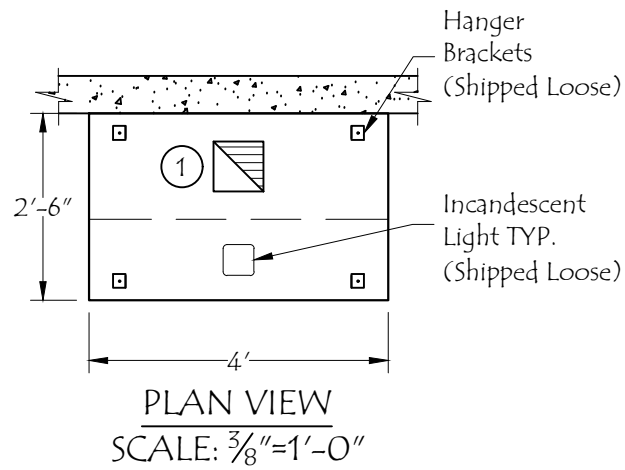
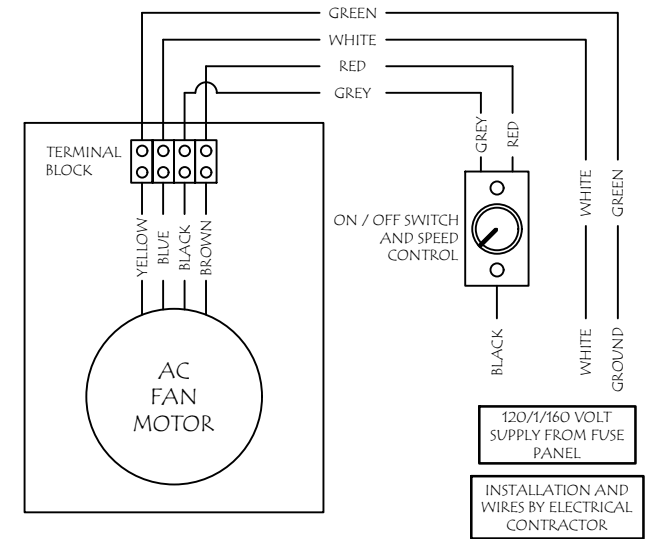


DUCTWORK				
A	B	C	D	QTY.
8"	8"	12"	1"	1

CURBPLATE		
WIDTH	LENG.	QTY.
13"	13"	1

FAN MODEL	A	B	C	D
10D	12"	12"	2"	4"

FAN MODEL	A	B	C	D	WT. LBS.
10D	20 1/4"	16 1/4"	12 1/2"	13 1/2" SQ.	43 LBS.



**\*IT IS THE RESPONSIBILITY OF THE ARCHITECT/OWNER TO ENSURE THAT THE HOOD CLEARANCE FROM LIMITED-COMBUSTIBLE MATERIALS IS IN COMPLIANCE WITH LOCAL CODE REQUIREMENTS**

**\*ALL EQUIPMENT IS UL LISTED COMPONENTS\***  
HOODMART HOODS ARE BUILT IN COMPLIANCE WITH :  
NFPA #96 & UL710  
AND ARE RECOGNIZED BY ONE OR MORE OF THE FOLLOWING:  
- NSF INTERNATIONAL -UL



HOOD NO.	MODEL	LENGTH	MAX. COOKING TEMP.	① EXHAUST PLENUM					② SUPPLY PLENUM					HOOD CONSTRUCTION		
				TOTAL EXH. CFM	RISER(S)				TOTAL SUP. CFM	RISER(S)						
				WIDTH	LENG.	QTY.	CFM	S.P.		WIDTH	LENG.	QTY..	CFM	S.P.		
1	EXSS004C 4X30	48"NOM 48"OD	700 Deg.	800	8"	8"	1	800	.375"	-	-	-	-	-	-	STAINLESS STEEL

HOOD NO.	FILTER(S)				LIGHT(S)			UTILITY CABINET(S)				EST. HOOD WEIGHT	
	TYPE	QTY.	HEIGHT	LENGTH	TYPE	QTY.	WIRE GUARD	TYPE	SIZE	ELECTRICAL MODEL #	SWITCHES QUANTITY		LOCATION
1	S.S. BAFFLE W/ HANDLES	3	20"	16"	INCANDESCENT LIGHT	1	NO	--	--	--	--	--	140 LBS.

FAN UNIT NO.	FAN UNIT MODEL #	EXHAUST FAN									SUPPLY FAN										
		MODEL	TAG	CFM	S.P.	RPM	H.P.	Ø	VOLT	FLA	BLOWER	HOUSING	TAG	CFM	S.P.	RPM	H.P.	Ø	VOLT	FLA	
1	10D EF-1	10D	EF-1	800	.375"	1550	1/10	1	115	3.0											
2																					

REVISIONS				
REV	DATE	DRWN BY	APP'D BY	REMARKS
-	-	-	-	-

**HOODMART.**  
YOUR ONE STOP HOOD SHOP

172 REASER COURT  
ELYRIA, OHIO 44035

TOLL FREE : 1-800-715-1014  
FAX: 1-800-716-1214

EQUIPMENT SCHEDULE

CONCESSION CANOPY

CONTRACT NO. - ITEM NO. -

JOB: -  
LOC: -  
CUST: -  
CUST#: -