

Models:

FS-15

FD-30



Model FS-15 (shown above)

Standard Features:

- Stainless steel front and sides
- Removable Stainless steel tank, 15Lb (6.8Kg) capacity
- Set of twin fryer baskets.
- Easy to clean design with protected controls
- Power and Heat-On indicator lamps
- 3600 Watts per frypot
- Removable hinged head with safety micro-switch cut out protection.
- Temperature safety reset switch cut-out
- Stainless steel lid
- Optional: One large fryer basket in lieu of twin set of baskets
- UL, cUL, NSF listed
- One-Year limited parts & labor warranty

Specifications:

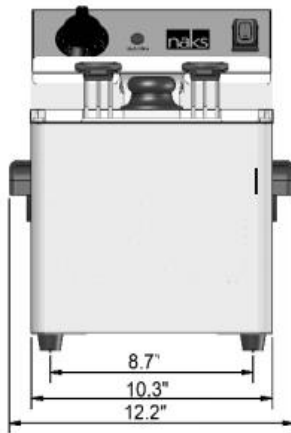
The UL Electric Countertop Fryers are available in two size groups: Single tank model; 12.2" (309mm) wide FS-15, or twin tank models 21.8" (553mm) wide FD-30. Both models are 16.2" (411mm) deep x 13.2" (336mm) high, with stainless steel front and sides, and stainless steel tank. Baskets are available in 2 sizes: Small 8.4" D x 4.2" W x 5.7" H & Large 8.4" D x 8.4" W x 5.7" H. Mechanical thermostat provides concise accurate control. Removable flat bottom stainless steel tank with large surge. Twin tank model has two sets of independent controls. 3600 watts per frypot.



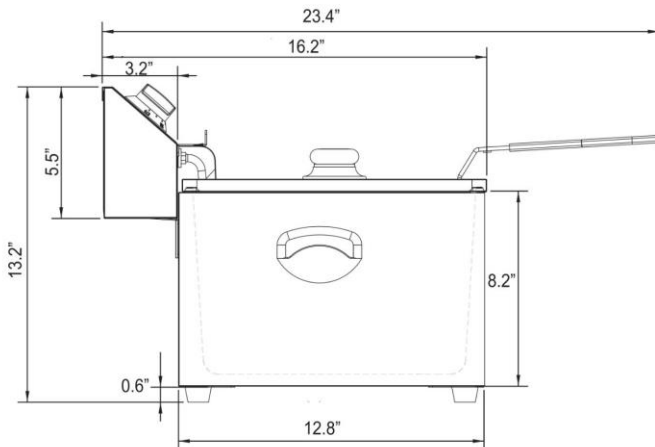
Models	Total kW Load 240V ~/60Hz			Plug	Amp Drawn Per Plug	Watts	Temp. Range
	Tanks	Phase	Amp Draw				
FS-15	1	1	15	6-20P	15	3600	120°F – 370°F
FD-30	2	1	30	6-20P	(2) 15	3600+3600	120°F – 370°F

Model	Overall Dimensions			Cu Ft	Shipping Wt. Lb/Kg
	Height	Width	Depth		
FS-15	13.2" (336mm)	12.2" (309mm)	16.2" (411mm)	2.86	19.8 /9.0
FD-30	13.2" (336mm)	21.8" (553mm)	16.2" (411mm)	5.46	33.0 /15.0

FRONT VIEW



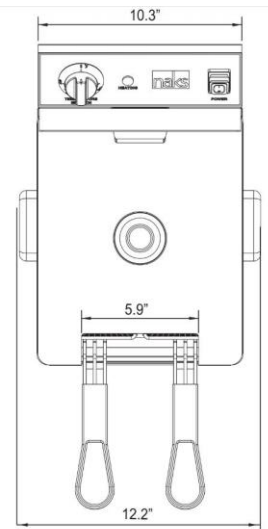
SIDE VIEW



North American Kitchen Solutions (NAKS) products are not approved or authorized for home or residential use, but are intended for commercial applications only. NAKS will not provide service, warranty, maintenance or support of any kind other than in commercial applications.

MINIMUM CLEARANCE REQUIRED FROM UNIT TO THE NEAREST COMBUSTIBLE OBJECT

Side	Rear
0.5" (13mm)	0.5" (13mm)



TOP VIEW

Form# FS-15 & FD30 (06-2018)