

Models:

G-24

G-30

G-36



Model G-24 (shown above)

Standard Features:

- Heavy duty stainless steel front and sides
- Easy clean design with recessed protected controls
- Power and heating indicator lamps
- Thermostat controlled, one per foot of width.
- Dial settings off 120°-570°F
- 15 1/2" (394mm) deep cooking surface
- 4" (102mm) Stainless Steel legs
- 1/2" 16 gauge polished steel
- 3" (76mm) welded splash guard on sides and rear of plate
- Temperature safety reset switch cut-out
- UL, cUL, NSF listed
- Easy access grease drawer
- One-Year limited parts & labor warranty

Specifications:

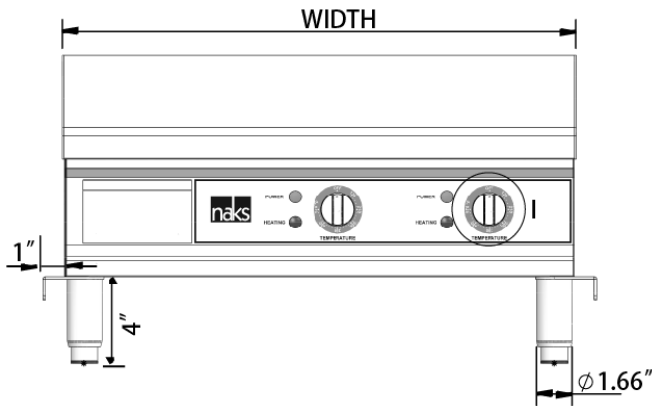
The electric countertop griddles are available in three widths: models G-24 – 24" (610 mm), G-30 – 30" (762mm), and G-36 – 36" (914mm). Designed as free standing or to be banked with other NAKS products. Easy clean design with stainless steel front and sides. Thermostat controlled, with improved insulation underneath the elements allowing for better heat efficiency. Easy access grease drawer.



Models	Total kW Load 208V – 240V			Plug	Plug Amp	Watts	Temp. Range
	Size	Phase	Amp Draw				
G-24	24"	1	15	6-20P	20	3500	120°F – 570°F
G-30	30"	1	20	6-20P	30	4500	120°F – 570°F
G-36	36"	3	25	Hardwire	30 amp breaker	9000	120°F – 570°F

Model	Overall Dimensions			Useable Cooking Surface		Cu Ft	Shipping Wt. Lb/Kg
	Height	Width	Depth	Width	Depth		
G-24	14-1/3" (364mm)	24" (610mm)	22-7/8" (581mm)	23-5/8" (600mm)	15-1/2 (394mm)	6.0	114/52
G-30	14-1/3" (364mm)	30" (762mm)	22-7/8" (581mm)	29-5/8"(752mm)	15-1/2 (394mm)	7.0	135/61
G-36	14-1/3" (364mm)	36" (914mm)	22-7/8" (581mm)	35-5/8" (905mm)	15-1/2 (394mm)	8.7	139/63

FRONT VIEW

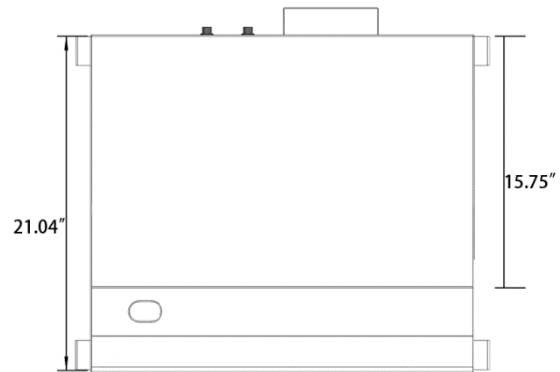
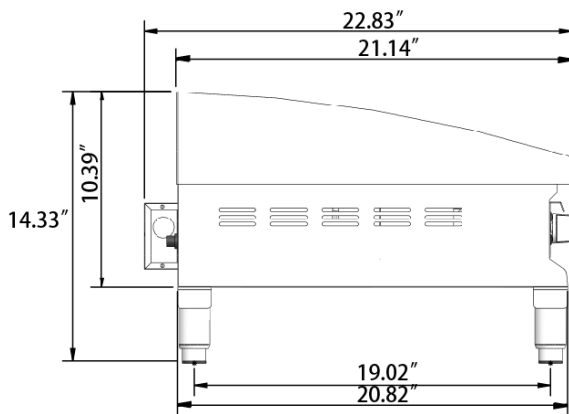


North American Kitchen Solutions (NAKS) products are not approved or authorized for home or residential use; but are intended for commercial applications only. NAKS will not provide service, warranty, maintenance or support of any kind other than in commercial applications.

**MINIMUM CLEARANCE REQUIRED FROM UNIT TO THE NEAREST COMBUSTIBLE OBJECT**

Side	Rear
1" (25mm)	1.5" (38mm)

SIDE VIEW



TOP VIEW

Form# G-24, G-30, G-36 (06-2018)