

DC SERIES - UPBLAST DIRECT DRIVE SPUN ALUMINUM EXHAUSTERS



Ideal for exhausting air from kitchens, restaurants, offices, warehouses or commercial buildings. The DC series spun aluminum exhaust fan can be used as either a roof top or wall mount exhaust fan.

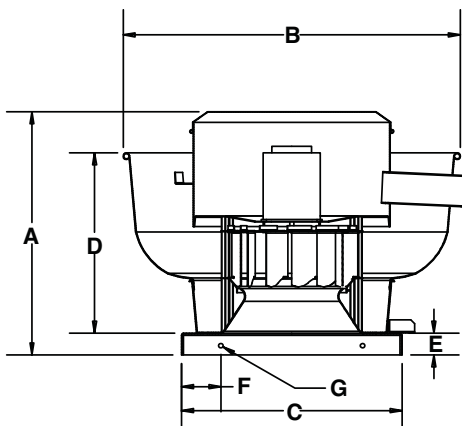
For Performance Specifications please see next page.

FEATURES

- Spun aluminum housing will not rust, chip or peel.
- Aluminum backward inclined wheel is non-overloading.
- Variable speed control included
- Curb hinge (standard with hood package)
- All motors are 1 Phase 120/240V operation.
- All units can be wall mounted.
- Quick release latches for easy motor access

DIMENSIONS

MODEL	DIMENSIONS (INCHES)								Wheel Diameter	Roof Opening	Net Weight (lbs)
	A	B	C	D	E	F	G	Ø			
5DC	18.00	25.00	19.00	13.00	1.50	3.50	0.38	10.50	15.00	35	
10DC	19.00	25.00	19.00	13.00	1.50	3.50	0.38	12.25	15.00	37	
20DC	22.25	32.13	21.00	17.13	2.00	3.75	0.44	13.50	17.00	53	
28DC	23.13	32.13	21.00	17.13	2.00	3.75	0.44	15.00	17.00	58	



OPTIONS

- Grease collection box (required for UL762)
- Disconnect switches
- Roof Curbs



UL762 certified, refer to next page for all installation requirements



NAKS certifies that the EC Series shown herein are licensed to bear the AMCA Seal. The ratings shown are based on tests and procedures performed in accordance with AMCA Publications 211 & 311 and comply with the requirements of the AMCA Certified Ratings Programme.

DC SERIES - UPBLAST DIRECT DRIVE SPUN ALUMINUM EXHAUSTERS



PERFORMANCE SPECIFICATIONS & CFM RATINGS

Model	MOTOR			AIRFLOW (CFM) @ STATIC PRESSURE															
	HP	VARIABLE SPEED	MAX. RPM	0.0"		.25"		.5"		Sones @ .5"SP		.75"		1.00"		1.25"		1.5"	
				High	Low	High	Low	High	Low	High	Low	High	Low	High	Low	High	Low	High	Low
5DC	1/8	Y	1650	950	526	850	451	700	300	12.1	5.6	-	-	-	-	-	-	-	-
10DC	1/3	Y	1650	1400	977	1300	826	1175	751	14.4	8.9	1050	601	850	451	-	-	-	-
20DC	3/4	Y	1650	1850	1125	1750	950	1625	750	19.8	7.1	1550	-	1425	-	1275	-	1125	-
28DC	1	N	1650	2450	-	2375	-	2275	-	30	-	2150	-	2050	-	1875	-	1700	-



UL762 LISTED PRODUCTS AND REQUIREMENTS

(Kitchen Exhaust)

WHAT IS UL762?

Power ventilators for kitchen and restaurant exhaust appliances covered by these requirements are intended for installation in accordance with the Standard of the National Fire Protection Association for the Installation of Equipment for the Removal of Smoke and Grease-Laden Vapors from Commercial Cooking Equipment, NFPA 96.

UL762 LISTED PRODUCTS

DC SERIES



REQUIREMENTS

REQUIREMENT	DC/EC/BC SERIES	
	STANDARD	ACCESSORY
Designed for removal of smoke and/or grease laden air	●	
Air temperatures up to 300°F	●	
Access for cleanout	●	
Grease drain	●	
Grease collection box		●
Minimum 500 FPM airflow in duct**	●	
Vented roof curb extending discharge minimum 40" above roofline		●
Curb hinge (standard with hood package)		●

Units must be mounted to extend outlet minimum 40" above roofline

** based on standard NAKS configurations with Motors and Drives