



# NORTH AMERICAN KITCHEN SOLUTIONS INCORPORATED

## SW-NAKS Quick Start Guide

"This addendum applies to installation for SWANKS & DWNAKS. Read and refer to the main NAKS instructions for complete instructions including proper clearance to combustibles and other guidelines. Failure to do so may result in a hazardous installation. Contact NAKS if there are any questions regarding these instructions."

### JOINT ASSEMBLY - Conical

For steel to steel conical joint assembly follow Steps 1 through 4.

Figure 1-3, Model SW-NAKS Assembly

#### Step 1

Clean the inner side of the female end and the outer side of the male end of each inner liner. Apply the KL Paste to the female end.

#### Step 2

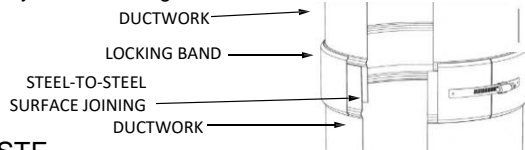
Use your hands to center both pipes in alignment. Connect both pipes and press them together as much as possible by hand.

#### Step 3

Use the wood plate (supplied with shipment) and place it on the end of the assembly. Tap 2-3 times. Make sure to press both inner and outer pipes together; the inner should not be more than 1/8" longer than the outer pipe once the male/female conical ends are engaged.

#### Step 4

Install and fix the Locking Band (LB). To ensure the connection is completely in place, the Locking Band has to be perfectly fitted in both grooves.



### KL PASTE

Use approximately 1 teaspoon of paste per 24" length of joint perimeter. Example: 10 inch diameter has 31" of perimeter length, so use about 1.3 teaspoons per each 10 inch joint connection. Below table allows for a 20% waste.

Table 1-1, No. (#) of Joints per 3.5 oz. Tube

Ø	3"	4"	5"	6"	7"	8"	9"	10"	11"	12"	13"
#	42.6	32.0	25.6	21.3	18.2	16.0	14.2	12.8	11.6	10.6	9.8

	14"	16"	18"	20"	22"	24"	26"	28"	30"	32"	34"	36"
	9.1	8.0	7.1	6.4	5.8	5.3	4.9	4.5	4.2	4.0	3.7	3.5

### KLC Clamp

The KLC clamp serves two functions:

- 1) To facilitate joint assembly when the the vent is in a position where use of wood disc to press pipe together is impractical.
- 2) To serve as an alternate to standard locking

To Install:

1. Loosen Clamp Bands (5/16" Hex driver) and Tensioner Bolts (3/16" Allen wrench). See Fig 1.
2. Position KLC clamp around 1st pipe length See Figs 2 & 3.
3. Align 2nd pipe length and apply force to engage pipe segments by hand. See Fig 4.
4. Tighten Clamp Bands to the Pipes. The outward Pipe bead serves as a mechanical stop to prevent band from sliding past.
5. Tighten Tensioner Bolts to complete engagement of pipe sections.
6. Once pipe joint is complete the KLC clamp can be removed and replaced with standard locking band.

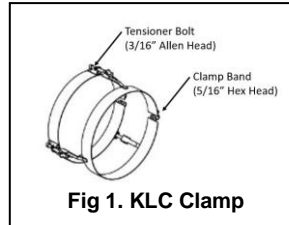
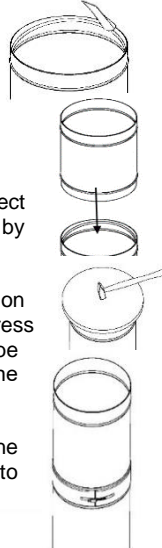


Fig 1. KLC Clamp



Fig 2. Pipe Length & KLC Clamp



Fig 4. KLC Clamp Installed

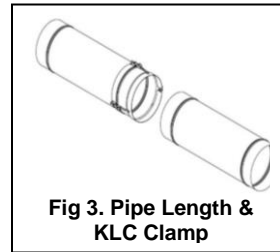


Fig 3. Pipe Length & KLC Clamp

### JOINT ASSEMBLY - Flange

The SW-NAKS 18" and larger incorporate a flange-to-flange connection. The Pipe includes a spigot that engages into the adjacent pipe section. This spigot facilitates alignment of pipe sections, provides support during assembly and protects the sealed joint during cleaning. The

spigot should always be positioned down, back toward the appliance. Follow the flow direction arrow on the product label. If necessary, it is permissible to remove the spigot (with a cutting wheel or similar) to allow FL to be installed in tight spaces.

To Install:

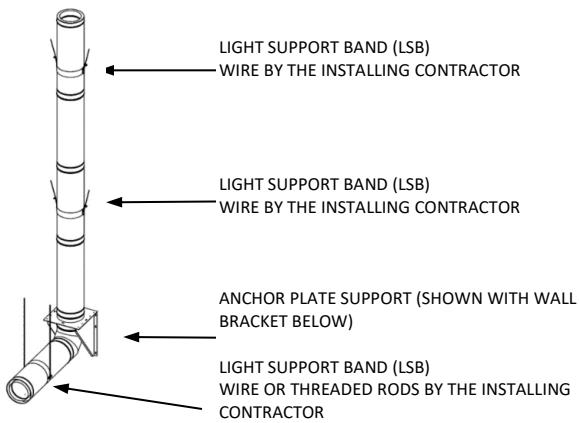
1. Position the pipe so the UP/FLOW arrow is in the direction of the flue gas flow
2. Prepare flange surfaces where sealant will be applied. Be sure all surfaces are clean of dirt and oil. Follow instructions included with corresponding sealant.
3. Apply J-600 Sealant continuously (1/8" bead minimum) to the flange surface of the pipe (See Fig 2)
4. Join Flanged surfaces together. Ensure the Flow arrows are in the direction of the flue gas flow
5. Apply sealant to the inner groove of the V-Band (see Fig 2)
6. Position the V-Band around the joint, capturing the flanges in the groove of the V-Band (See Fig 3)
7. Install fasteners in V-Band retainer and tighten hardware
8. Wrap the joint with insulation (provided) (See Fig 3)
9. Position the Locking Band (LB) around the outer pipe (DW-NAKS Only)
10. Tighten hardware on Locking Band to secure
11. For exterior installations, apply Dow 732 (grey) sealant around the circumference of the locking band seam (See Fig 3.)

### LIGHT SUPPORT BAND (LSB)

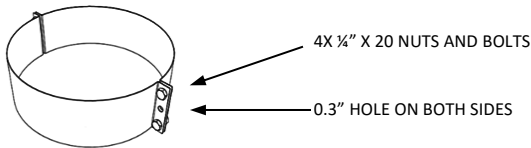
The Light Support Band can be used on low pressure and low temperature applications such as heating boiler stacks and grease ducts (not for use with engine or turbine exhaust) for support/guide in horizontal or vertical installations.

The band firmly clamps around the pipe outer jacket and includes four (4) 1/4" x 20 stainless steel nuts and bolts. Remaining hole in the middle is where wires or threaded rods (by the installing contractor) are used for support or guiding back to the building structure.

Light Support Band Installation Example



**Light Support Band**



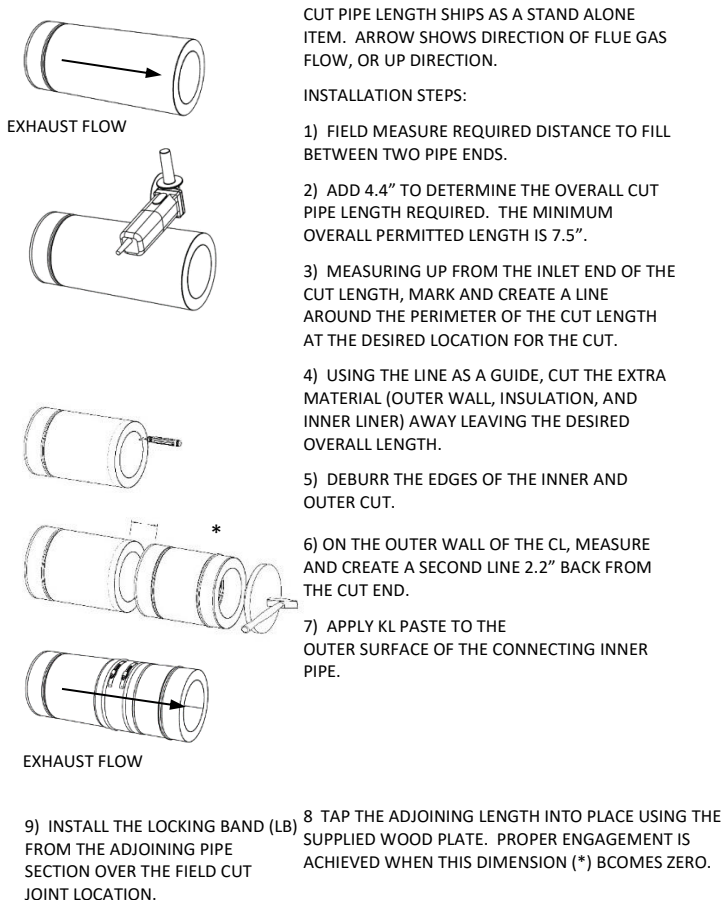
**18" & 30" CUT PIPE LENGTHS (CL)**

Cut Pipe Lengths are specifically engineered to be field cut to desired length. This permits the greatest flexibility for complicated installations.

- The minimum installed length of 18CL and 30CL is 5.3".
- The maximum installed length of the 18CL is 15.8".
- The maximum installed length of the 30CL is 27.8".

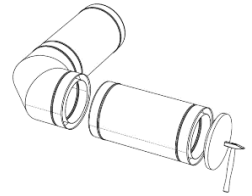
**IMPORTANT:** Proper installation of the Cut Pipe Length involves a procedure of very careful measurement and cutting (either in the field or shop) of the outlet end(s) of the Cut Pipe Length with appropriate equipment and technique to achieve a clean, burr free, straight end(s). Experienced sheet metal tradesmen are familiar with such equipment and techniques and should be used for such purpose.

Figure 3-5, Cut Pipe Length Installation



**SPECIAL CONSIDERATION FOR INSTALLING FITTINGS**

When tapping the pipe length into the fitting, 2<sup>nd</sup> person must hold the fitting in place from behind.

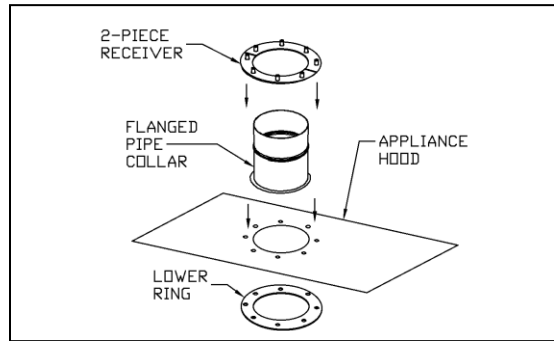


**Figure 4-1, Special Consideration for Fittings NO-WELD HOOD ADAPTER (NWA)**

Connects Models SW-NAKS and DW-NAKS to a kitchen exhaust hood without the need for field welding.

To Install (See Fig 5-0):

1. Using the Lower ring as a template, scribe and cut center hole and pilot holes in Appliance Hood
2. Align Flanged Pipe Collar on top of appliance hood
3. Apply Gasket between collar connection and appliance hood
4. Align 2-Piece Receiver on top of Flanged Pipe Collar
5. Install Bolts in the lower ring, through Appliance hood and into 2-piece receiver and tighten securely.

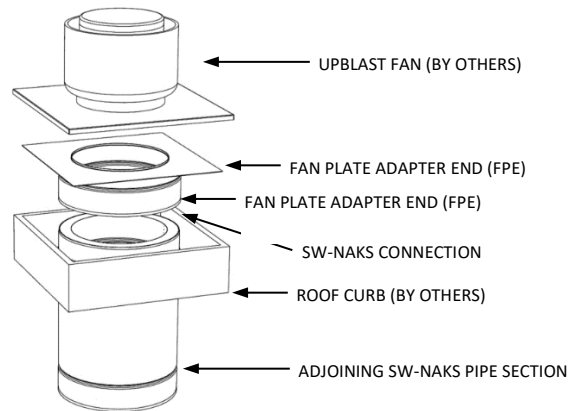


**FANPLATE ADAPTER START & END (FPS & FPE)**

This is a heavier gauge flat plate that can be used to start at a masonry fireplace outlet, or to attach a chimney fan or fan curb housing at the termination.

When used as a Fan Plate Adapter End (as shown in below Figure 5-7), the flat plate is designed to set directly on top of the roof curb (by others). The installing contractor uses bolts or screws through the plate into the curb.

Figure 5-7, Fan Plate Adapter End



**SW-NAKS TO DW-NAKS & DW-NAKS TO SW-NAKS ADAPTERS (D2S & S2D)** These adapters allow a smooth transition to and from SW-NAKS single wall.

