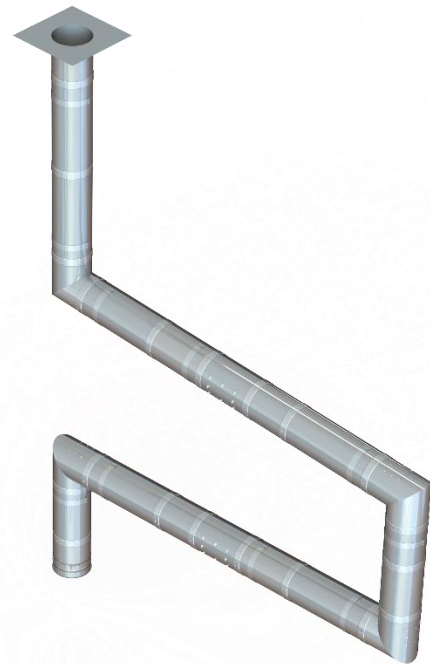


Grease Duct Spec

Model:

SW-NAKS-KIT003

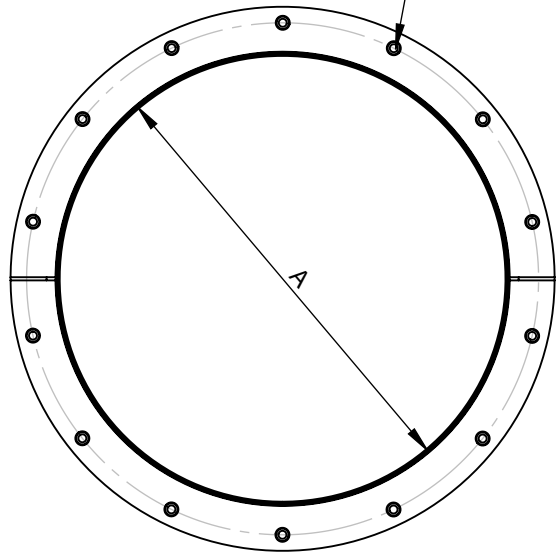
**Single Wall Conical 10”
with Four Elbows**



1 2 3 4

1/4" X 1" BOLTS

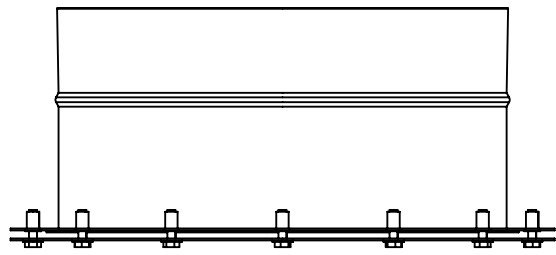
A



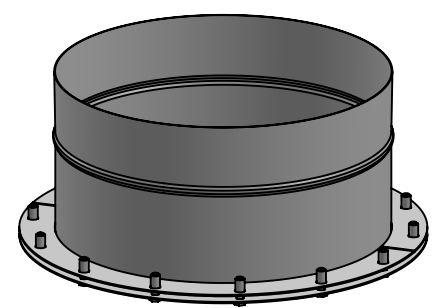
B

C



D



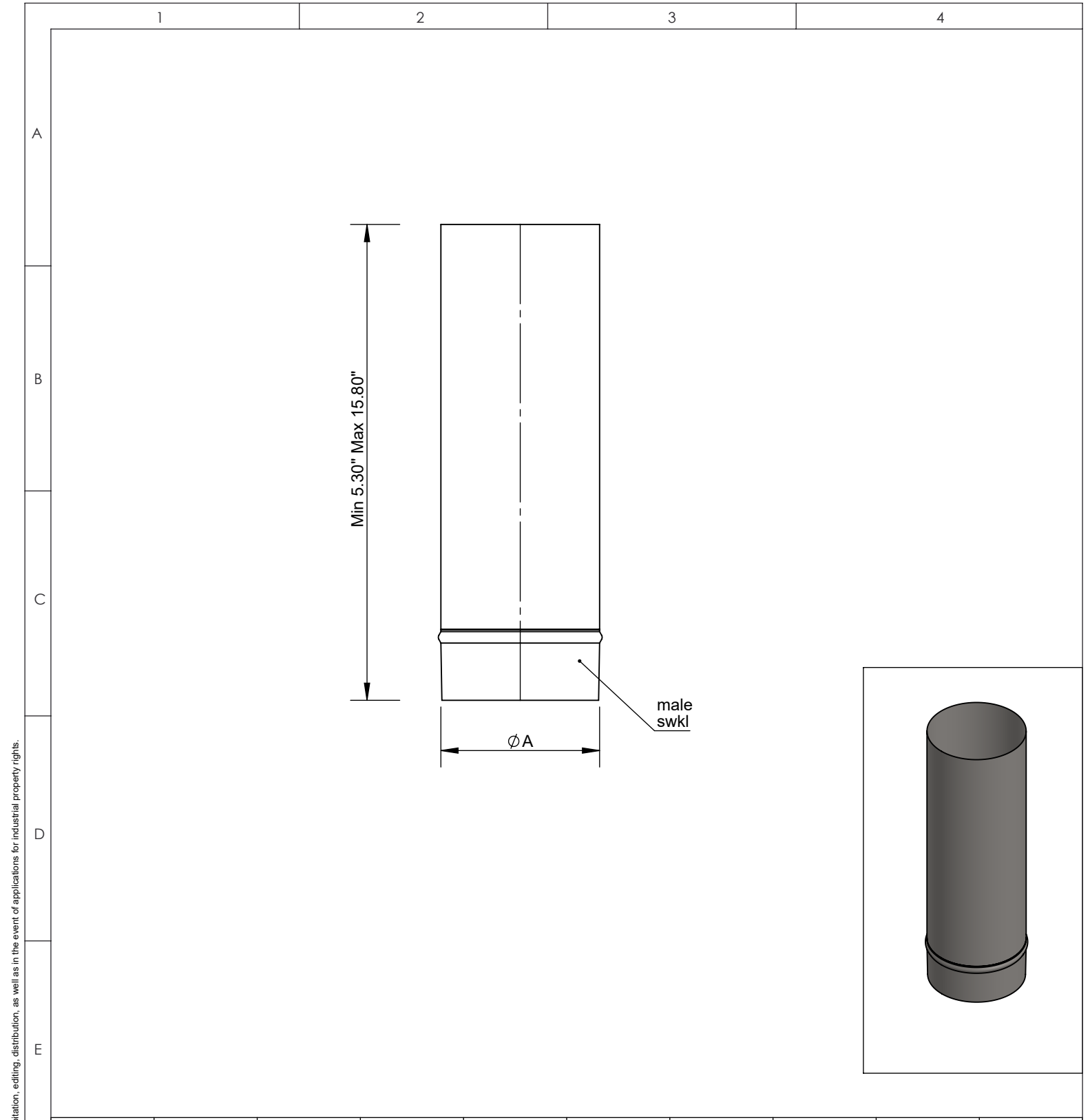
E



Ø	10	11	12	13	14	16	18	20	22
A	10	11	12	13	14	16	18	20	22

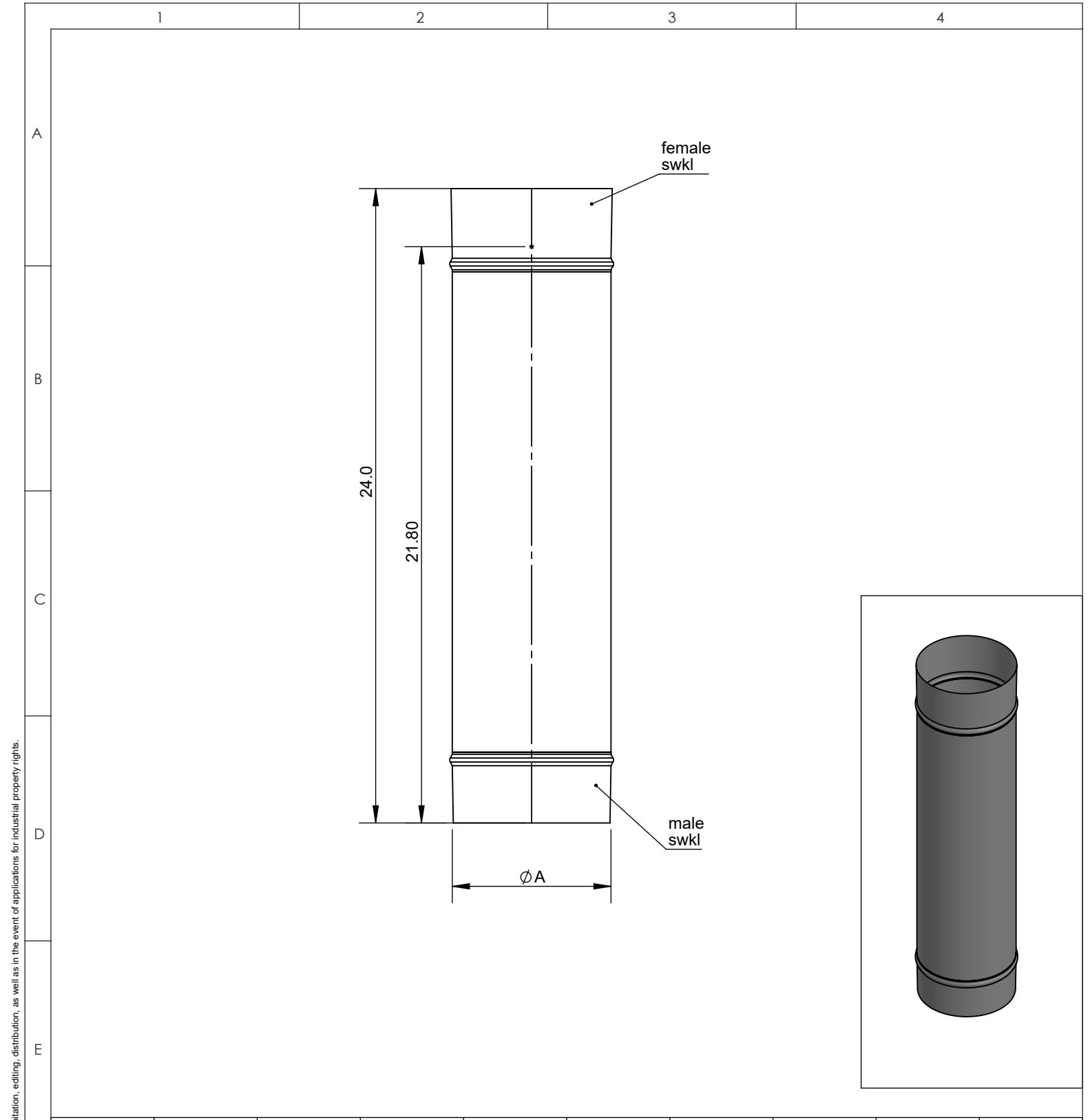
F	material: inside/outside	304	surface: inside/outside	BA	inch / lb					 NORTH AMERICAN KITCHEN SOLUTIONS INCORPORATED	scale
	revisions-no.				description						format
	drawn by				date	name					US LETTER
	checked by				code						sheet
	approved by				drawing no.						
modified by				SWNAKSØ-NWHA							

© NAKS Inc. All rights reserved, also regarding any disposal, exploitation, editing, distribution, as well as in the event of applications for industrial property rights.





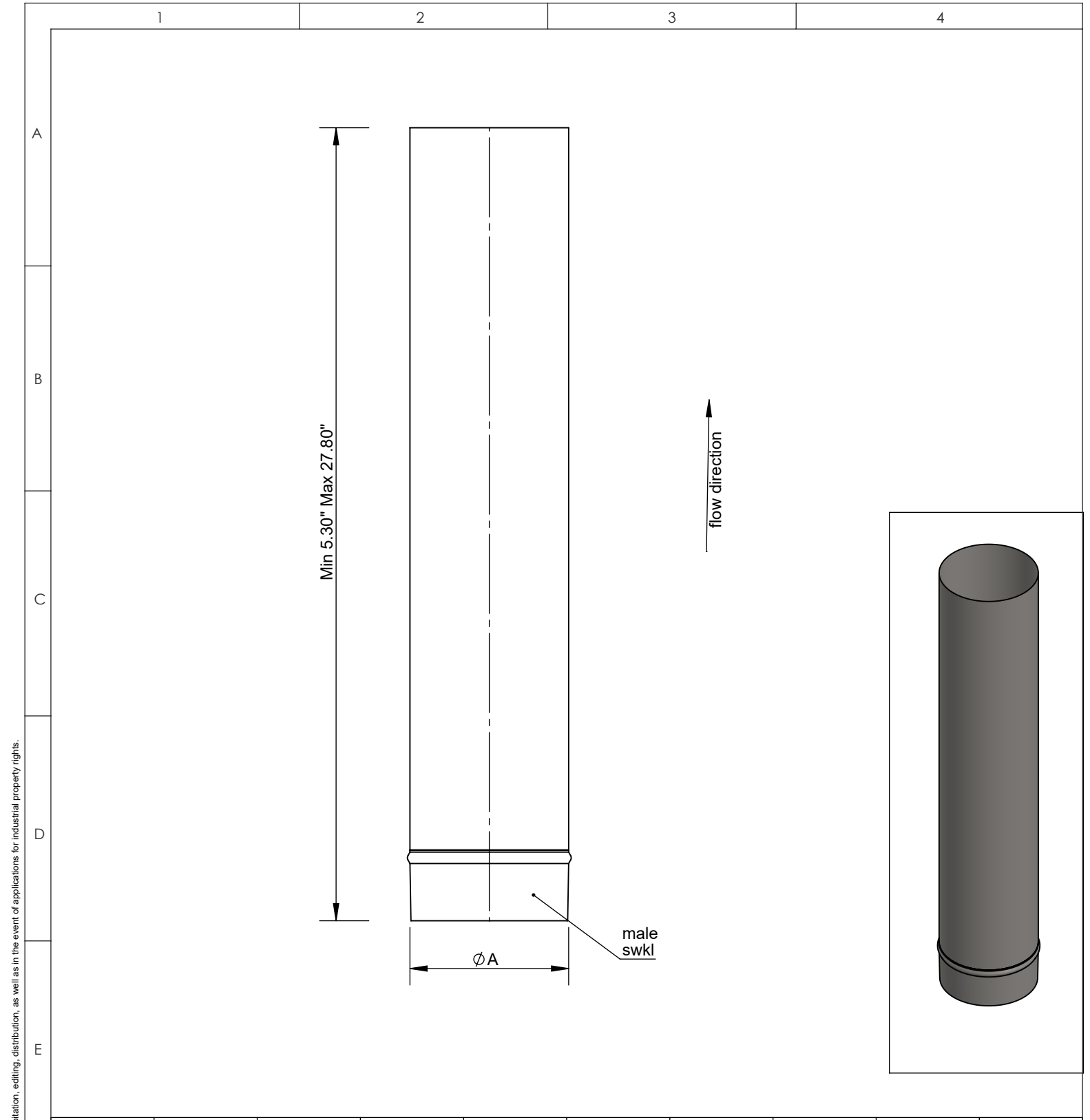
© NAKS Inc. All rights reserved, also regarding any disposal, exploitation, editing, distribution, as well as in the event of applications for industrial property rights.

Ø	10	11	12	13	14	16	18	20	22			
A	10	11	12	13	14	16	18	20	22			
material: <small>inside/outside</small>		surface: <small>inside/outside</small>		inch / lb		NORTH AMERICAN KITCHEN SOLUTIONS <small>INCORPORATED</small>			scale			
304		BA		revisions-no.					18" Cut Length <small>code</small> SWNAKSØ-18CL <small>drawing no.</small>			format US LETTER
F				<small>date</small>	<small>name</small>	<small>description</small>						sheet
				<small>drawn by</small>								
				<small>checked by</small>								
				<small>approved by</small>								
		<small>modified by</small>										



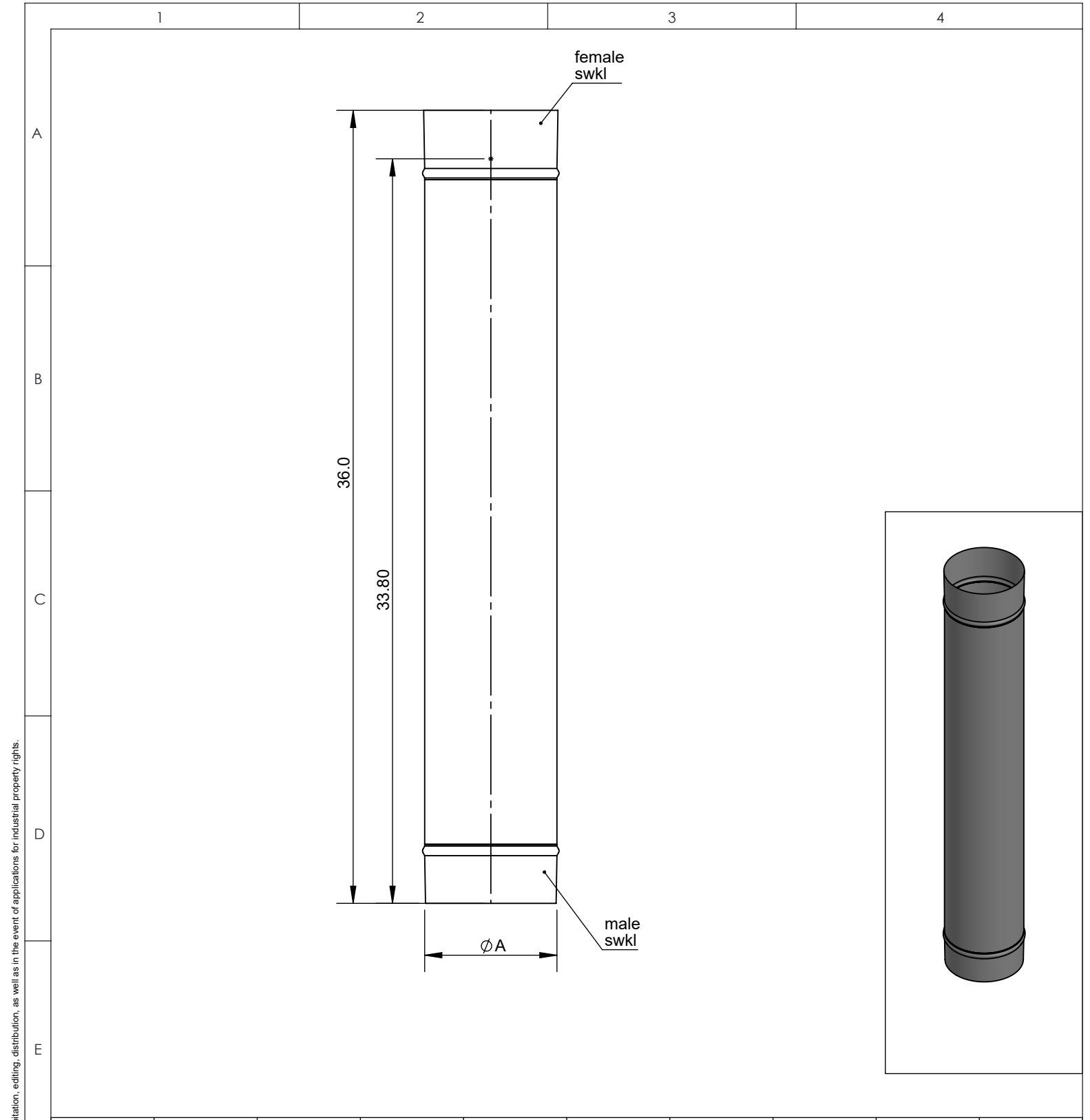
© NAKS Inc. All rights reserved, also regarding any disposal, exploitation, editing, distribution, as well as in the event of applications for industrial property rights.

	Ø	10	11	12	13	14	16	18	20	22	
	A	10	11	12	13	14	16	18	20	22	
F	material: inside/outside	304		surface: inside/outside	BA		inch / lb				scale
	revisions-no.						 NORTH AMERICAN KITCHEN SOLUTIONS INCORPORATED				
			date	name		description 24" Fixed Length					format US LETTER
	drawn by					code				sheet	
	checked by					SWNAKSØ-24L					
approved by					drawing no.						
modified by											
											





© NAKS Inc. All rights reserved, also regarding any disposal, exploitation, editing, distribution, as well as in the event of applications for industrial property rights.

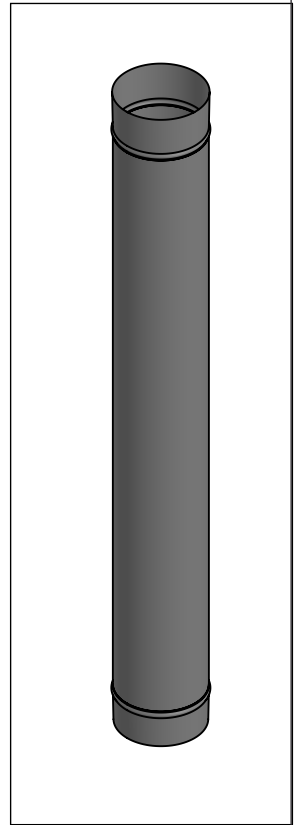
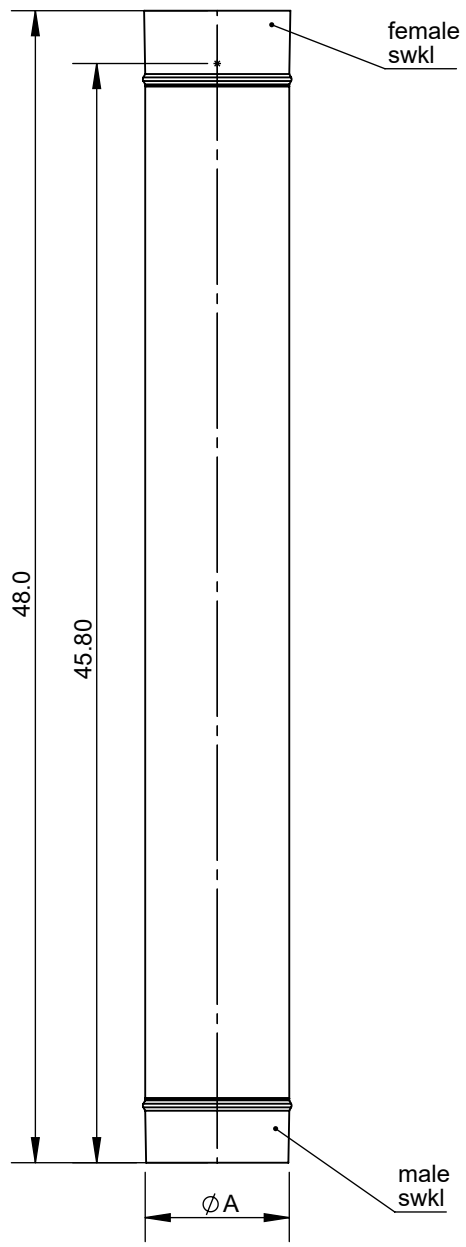
	Ø	10	11	12	13	14	16	18	20	22	
	A	10	11	12	13	14	16	18	20	22	
F	material: inside/outside		surface: inside/outside		inch / lb						scale
	304		BA		revisions-no.						format US LETTER
					date	name	description 30" Cut Length				sheet
					drawn by		code SWNAKSØ-30CL				
					checked by		drawing no.				
				approved by							
				modified by							





© NAKS Inc. All rights reserved, also regarding any disposal, exploitation, editing, distribution, as well as in the event of applications for industrial property rights.

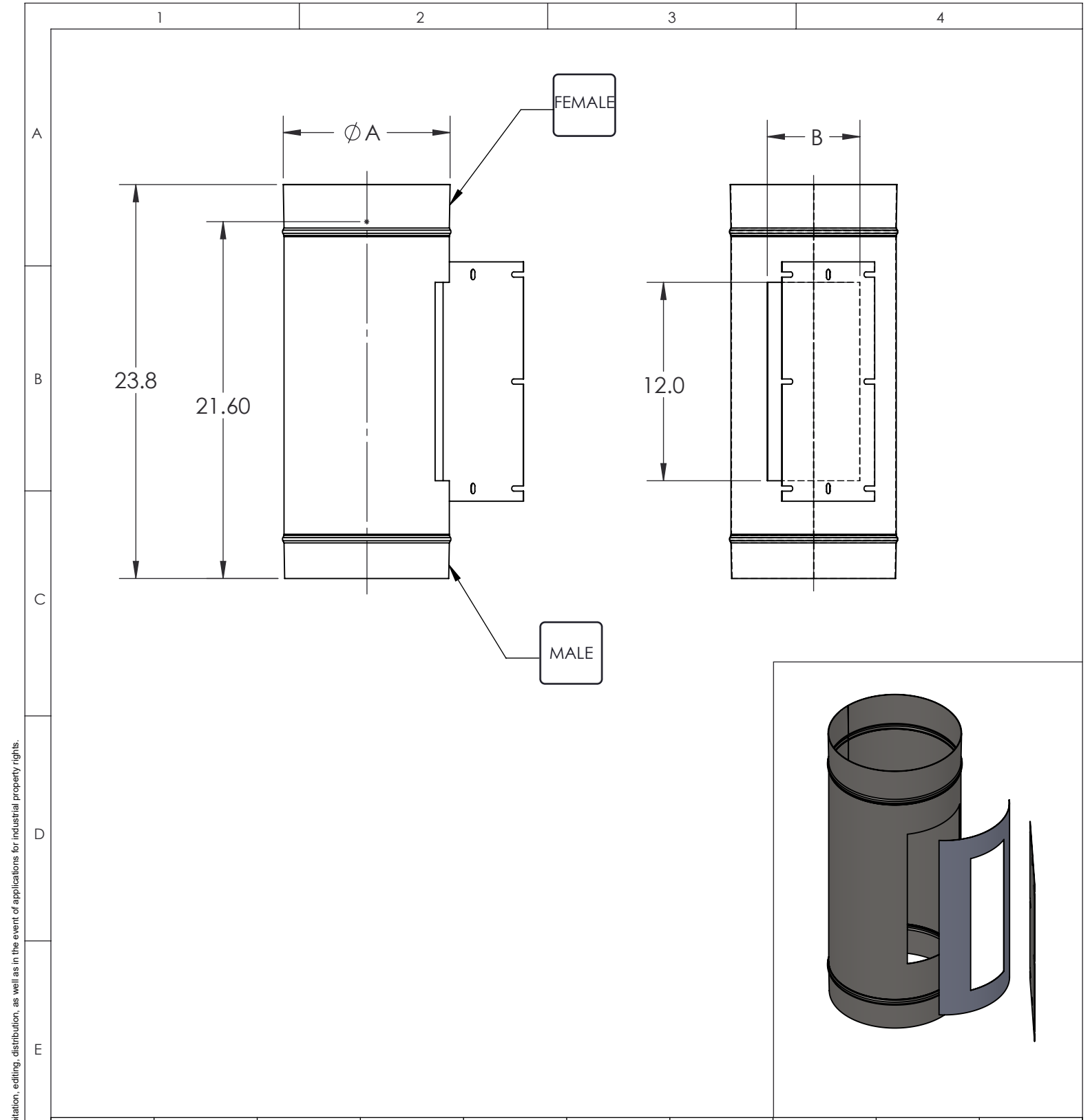
	Ø	10	11	12	13	14	16	18	20	22		
	A	10	11	12	13	14	16	18	20	22		
F	material: inside/outside	304		surface: inside/outside	BA		inch / lb				scale	
				revisions-no.		 NORTH AMERICAN KITCHEN SOLUTIONS INCORPORATED				format US LETTER		
					date					name	description 36" Fixed Length	
					drawn by			code SWNAKSØ-36L				
					checked by			drawing no.				
				approved by								
				modified by								

A
B
C
D
E





Ø	10	11	12	13	14	16	18	20	22
A	10	11	12	13	14	16	18	20	22

F	material: inside/outside	304	surface: inside/outside	BA	inch / lb				 NORTH AMERICAN KITCHEN SOLUTIONS INCORPORATED	scale
	revisions-no.				description					format
	date				name					US LETTER
	drawn by				code					sheet
	checked by				drawing no.					
approved by				SWNAKSØ-48L						
modified by										



© NAKS Inc. All rights reserved, also regarding any disposal, exploitation, editing, distribution, as well as in the event of applications for industrial property rights.

	Ø	10	11	12	13	14	16	18	20	22	
	A	10	11	12	13	14	16	18	20	22	
F	material: inside/outside	304		surface: inside/outside	BA		inch / lb				scale
				revisions-no.		 NORTH AMERICAN KITCHEN SOLUTIONS INCORPORATED				format	
											sheet
											



NORTH AMERICAN KITCHEN SOLUTIONS
INCORPORATED

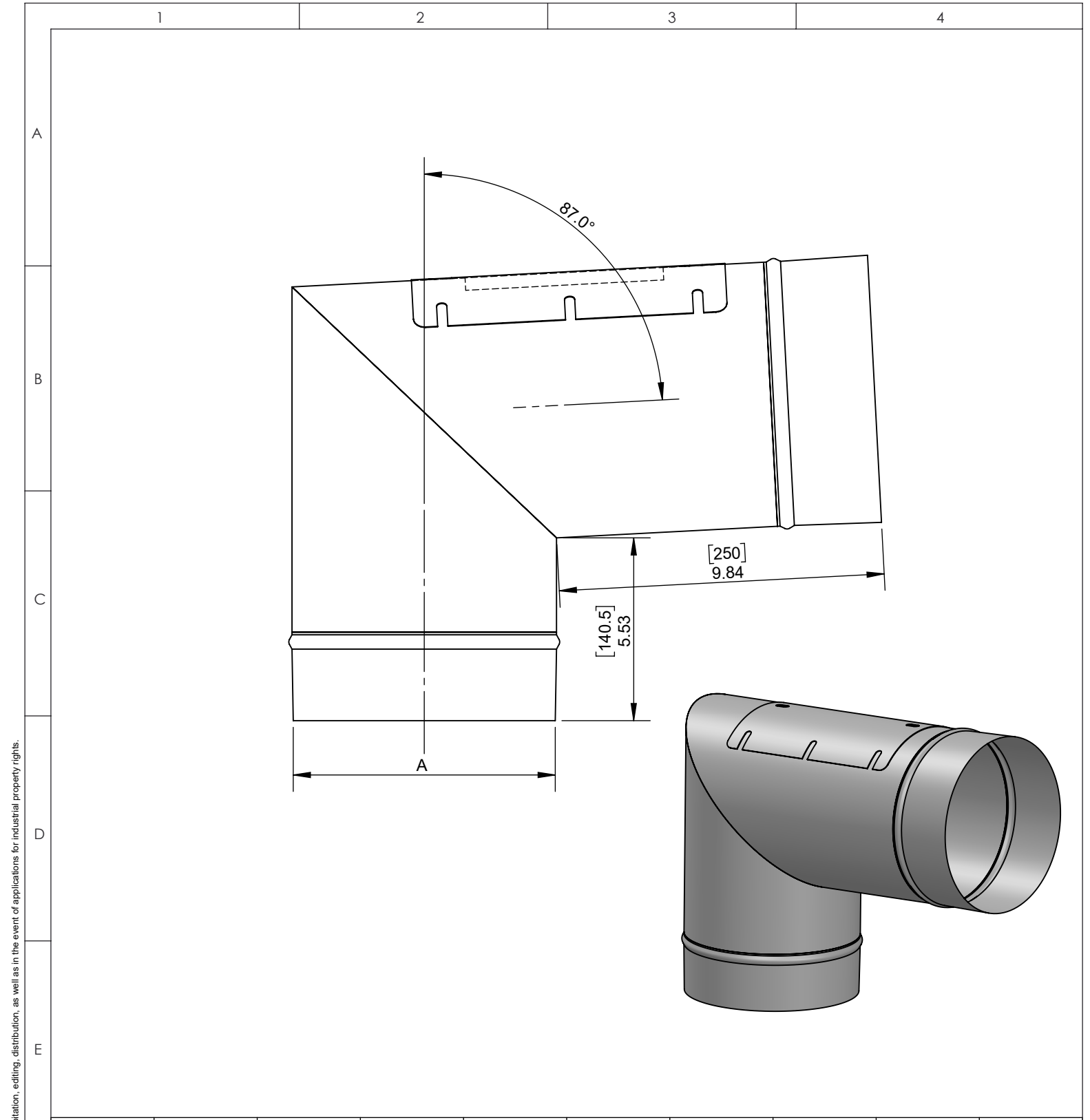
description **Inline Access Door**

code **SWNAKSØ-IAD**



drawing no.

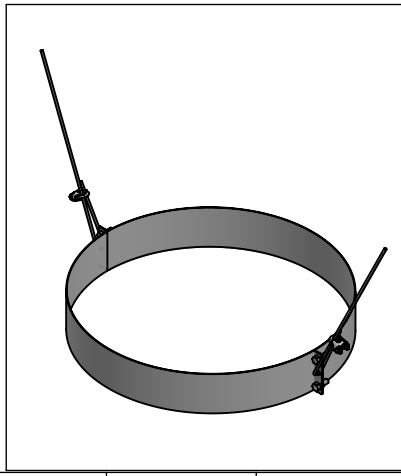
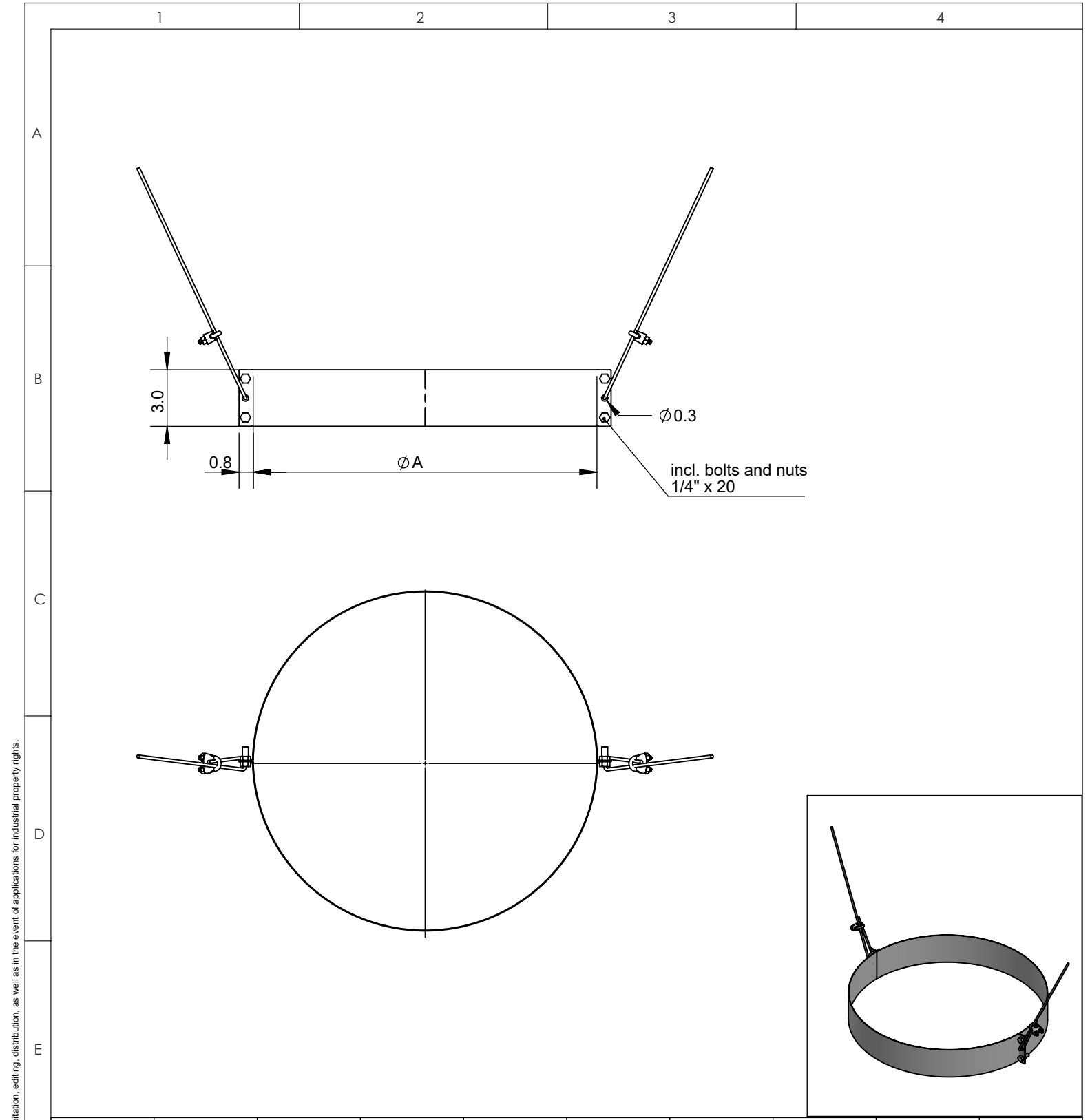
scale
format
US LETTER
sheet







© NAKS Inc. All rights reserved, also regarding any disposal, exploitation, editing, distribution, as well as in the event of applications for industrial property rights.

\emptyset	10	11	12	13	14	16	18	20	22	
A	10	11	12	13	14	16	18	20	22	
material: inside/outside	304		surface: inside/outside	BA		inch / lb				scale
				revisions-no.				 NORTH AMERICAN KITCHEN SOLUTIONS INCORPORATED	format	
				date	name	description			US LETTER	
				drawn by					sheet	
				checked by						
				approved by						
				modified by						
						code	SWNAKSØ-87EA			
						drawing no.				

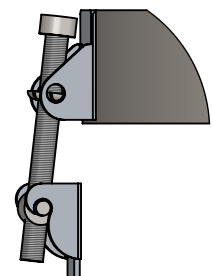
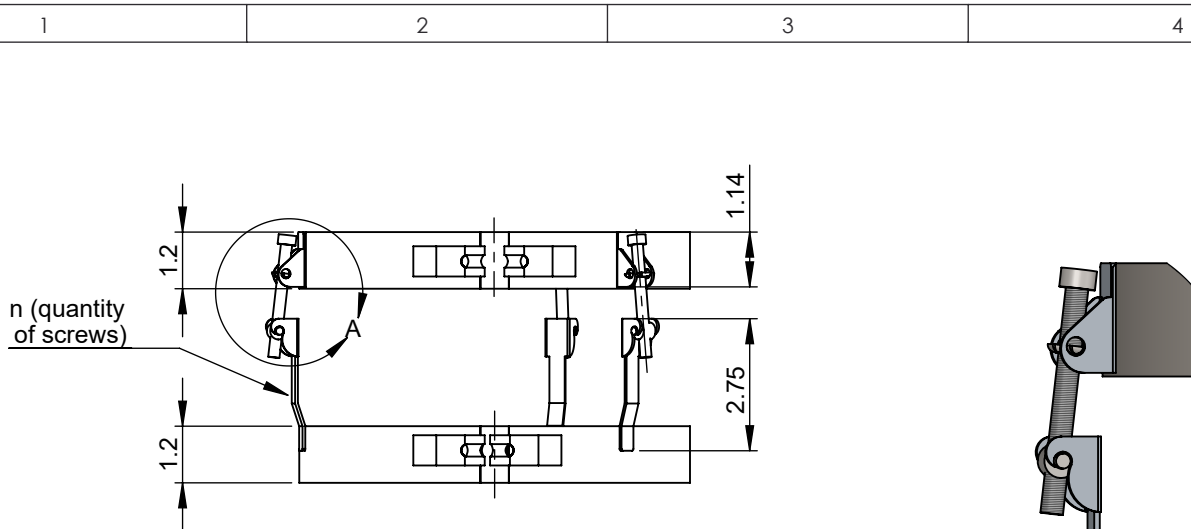


Ø	10	11	12	13	14	16	18	20	22
A	10	11	12	13	14	16	18	20	22

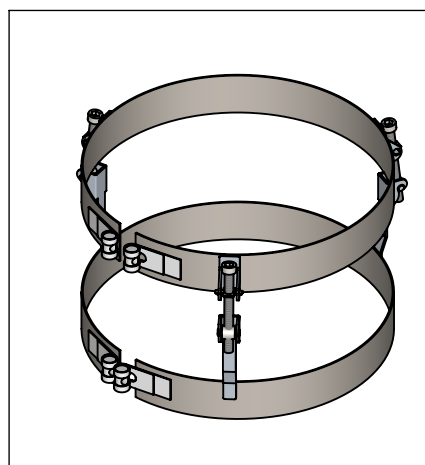
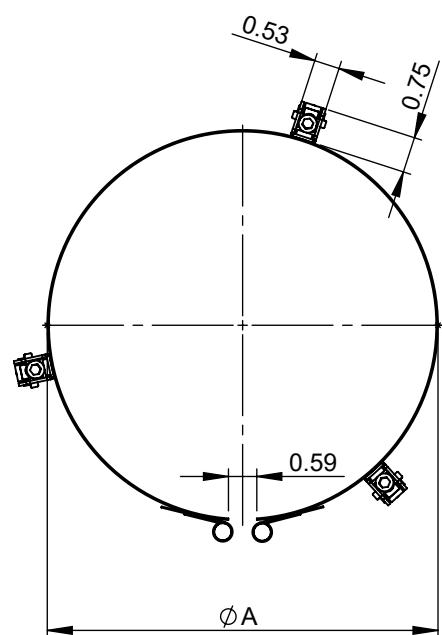
F	material: inside/outside	304	surface: inside/outside	BA	inch / lb		 NORTH AMERICAN KITCHEN SOLUTIONS INCORPORATED	scale
			revisions-no.		A			format
			date	name	description			US LETTER
			drawn by					sheet
			checked by					
		approved by				code		
		modified by				SWNAKSØ-LSB		
						drawing no.		



© NAKS Inc. All rights reserved, also regarding any disposal, exploitation, editing, distribution, as well as in the event of applications for industrial property rights.

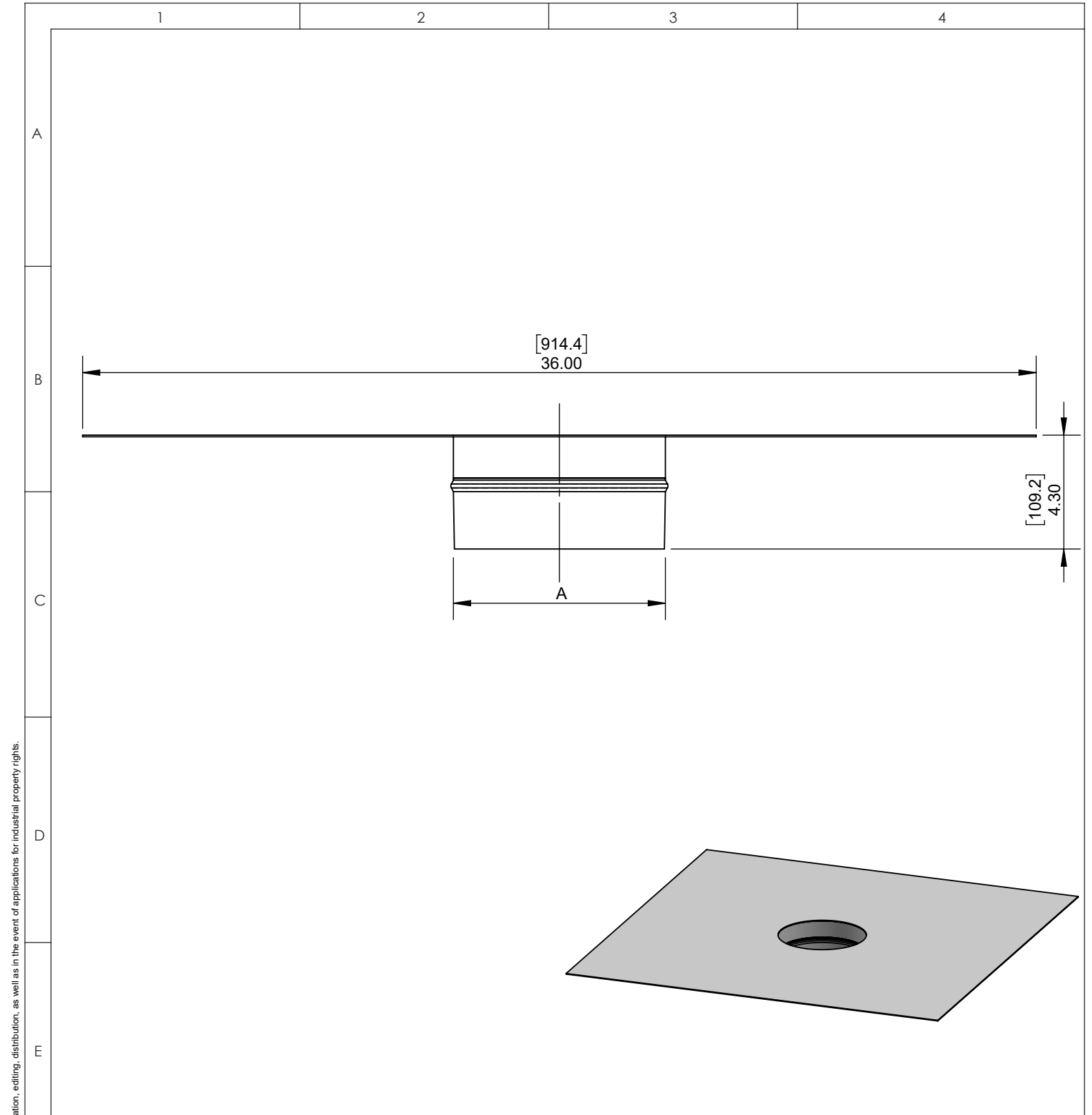
© NAKS Inc. All rights reserved, also regarding any disposal, exploitation, editing, distribution, as well as in the event of applications for industrial property rights.





DETAIL A



Ø	10	11	12	13	14	16	18	20	22					
A	10	11	12	13	14	16	18	20	22					
material: inside/outside	304		surface: inside/outside	BA		inch / lb				 NORTH AMERICAN KITCHEN SOLUTIONS INCORPORATED	scale			
				revisions-no.		A					format			
				date	name	description				US LETTER				
				drawn by		KL Clamp				sheet				
				checked by						code	SWNAKSØ-KLC			
				approved by						drawing no.				
				modified by										



© NAKS Inc. All rights reserved, also regarding any disposal, exploitation, editing, distribution, as well as in the event of applications for industrial property rights.

	Ø	10	11	12	13	14	16	18	20	22	
	A	10	11	12	13	14	16	18	20	22	
F	material: inside/outside	304		surface: inside/outside	BA		inch / lb				scale
				revisions-no.		 NORTH AMERICAN KITCHEN SOLUTIONS INCORPORATED				format	
					date					name	description
				drawn by			36"x36"			sheet	
				checked by			code	SWNAKSØ-FPE:36x36			
			approved by			drawing no.					
			modified by								