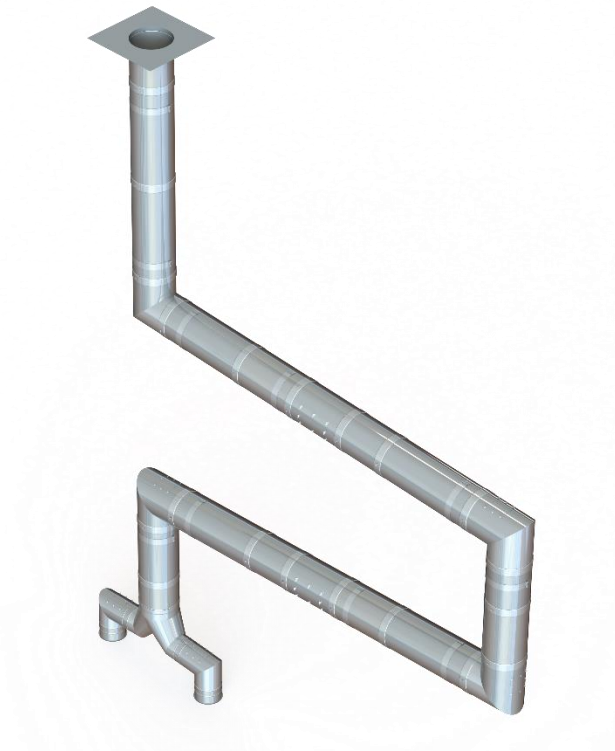
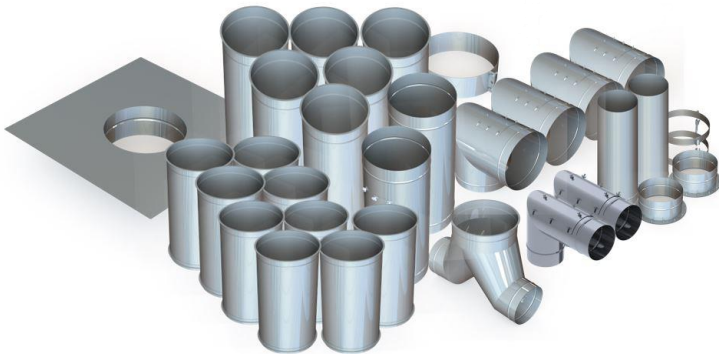


Grease Duct Spec

Model:

SW-NAKS-KIT015

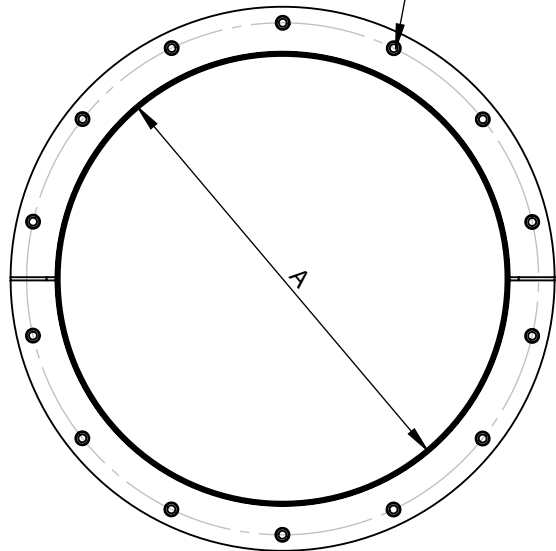
**Single Wall Flanged 18”
with Four Elbows**



1 2 3 4

1/4" X 1" BOLTS

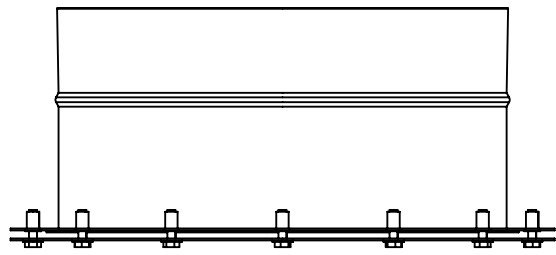
A



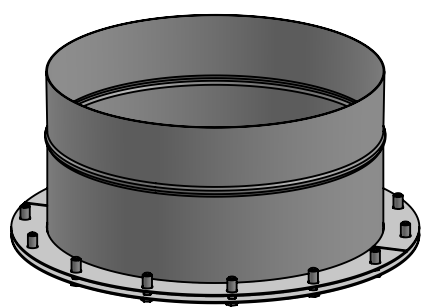
B

C



D



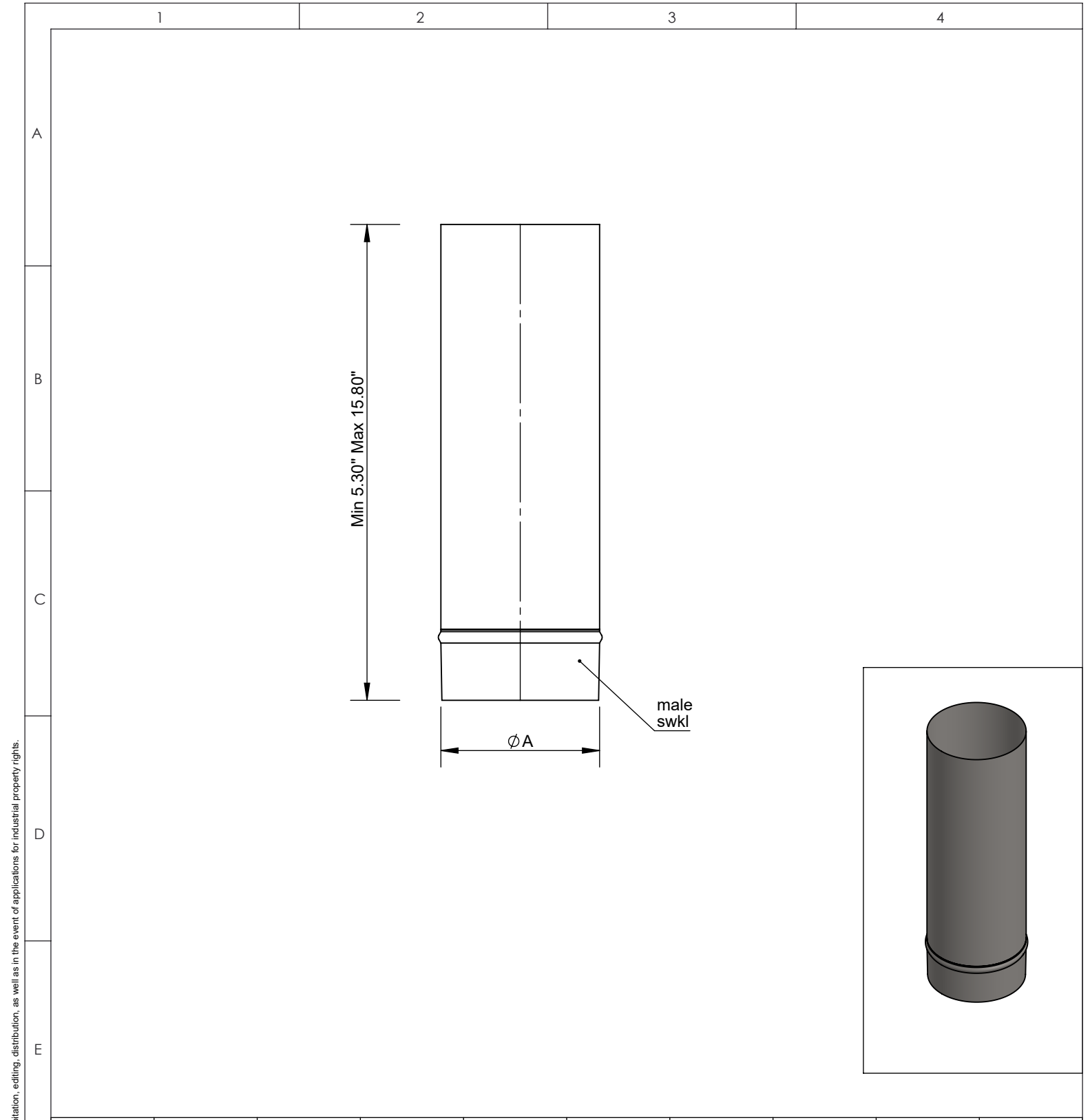
E





Ø	10	11	12	13	14	16	18	20	22
A	10	11	12	13	14	16	18	20	22

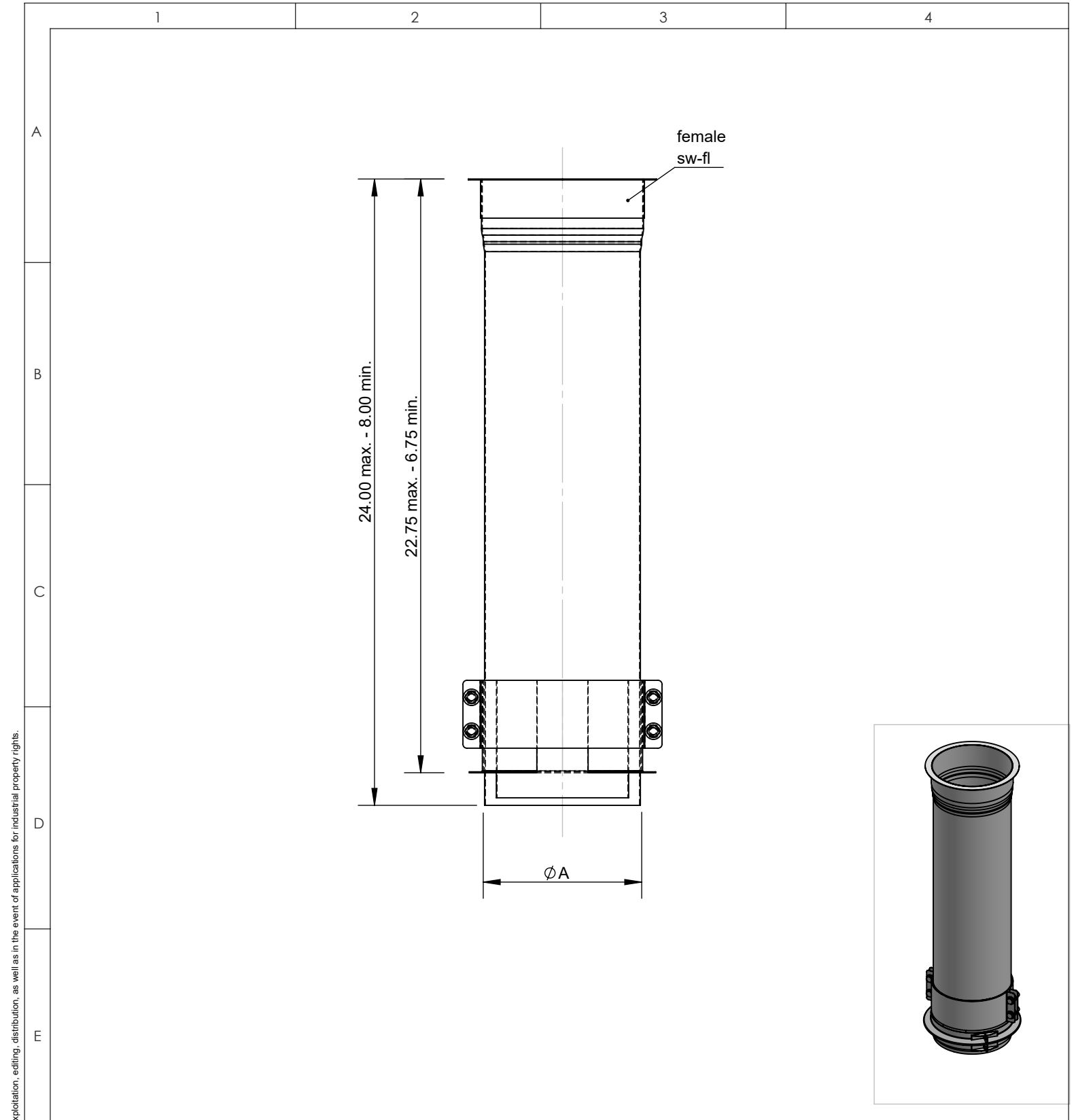
material: inside/outside	304	surface: inside/outside	BA	inch / lb		 NORTH AMERICAN KITCHEN SOLUTIONS INCORPORATED	scale
				revisions-no.			format US LETTER
				date	name	description No Weld Hood Adapter	sheet
				drawn by			code SWNAKSØ-NWHA
				checked by			drawing no.
				approved by			
				modified by			

© NAKS Inc. All rights reserved, also regarding any disposal, exploitation, editing, distribution, as well as in the event of applications for industrial property rights.



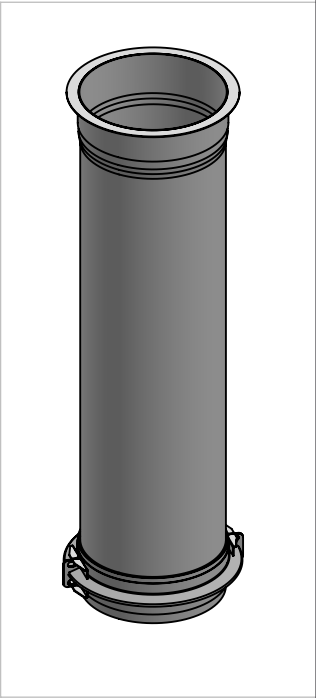
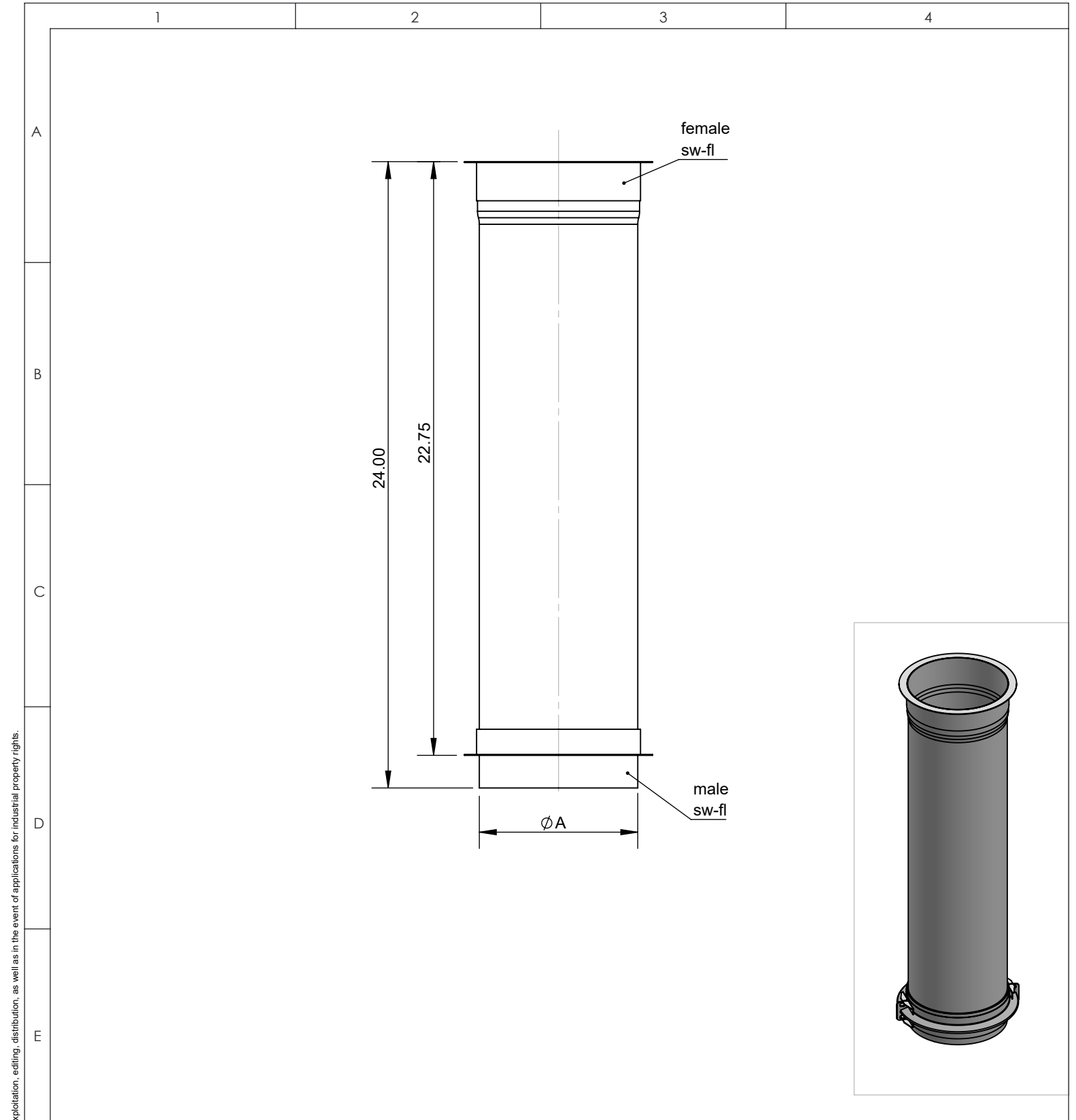
© NAKS Inc. All rights reserved, also regarding any disposal, exploitation, editing, distribution, as well as in the event of applications for industrial property rights.

ϕ	10	11	12	13	14	16	18	20	22		
A	10	11	12	13	14	16	18	20	22		
material: inside/outside	304		surface: inside/outside	BA		inch / lb				 NORTH AMERICAN KITCHEN SOLUTIONS INCORPORATED	scale
		revisions-no.									format US LETTER
F			date	name		description				18" Cut Length	sheet
			drawn by								
			checked by								
			approved by							code	SWNAKSØ-18CL
		modified by							drawing no.		



© NAKS Inc. All rights reserved, also regarding any disposal, exploitation, editing, distribution, as well as in the event of applications for industrial property rights.

Ø	18	20	22
A	18	20	22
material: inside/outside	surface: inside/outside	inch / lb	
304	BA	revisions-no.	
		date	name
		drawn by	description
		checked by	24" Adjustable Length
		approved by	code
		modified by	SWNAKSØ-24AL
		drawing no.	scale
		NORTH AMERICAN KITCHEN SOLUTIONS <small>INCORPORATED</small>	
		format US LETTER	
		sheet	



© NAKS Inc. All rights reserved, also regarding any disposal, exploitation, editing, distribution, as well as in the event of applications for industrial property rights.

\emptyset	18	20	22
A	18	20	22

F	material: <small>inside/outside</small>	304	surface: <small>inside/outside</small>	BA	inch / lb	 NORTH AMERICAN KITCHEN SOLUTIONS INCORPORATED	revisions-no.	scale	
					date		name	description	format
					drawn by		name	24" Fixed Length	US LETTER
					checked by		name	code	sheet
					approved by		name	SWNAKSØ-24L	drawing no.
				modified by	name	drawing no.	drawing no.		



1

2

3

4

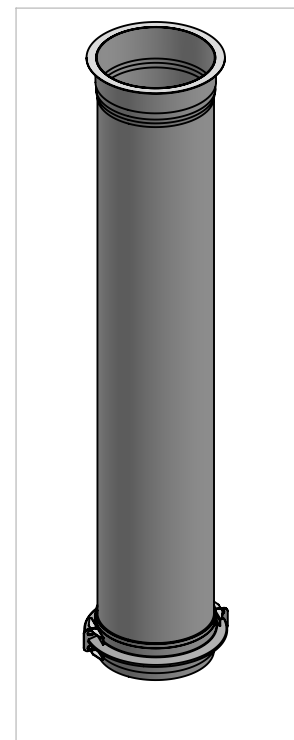
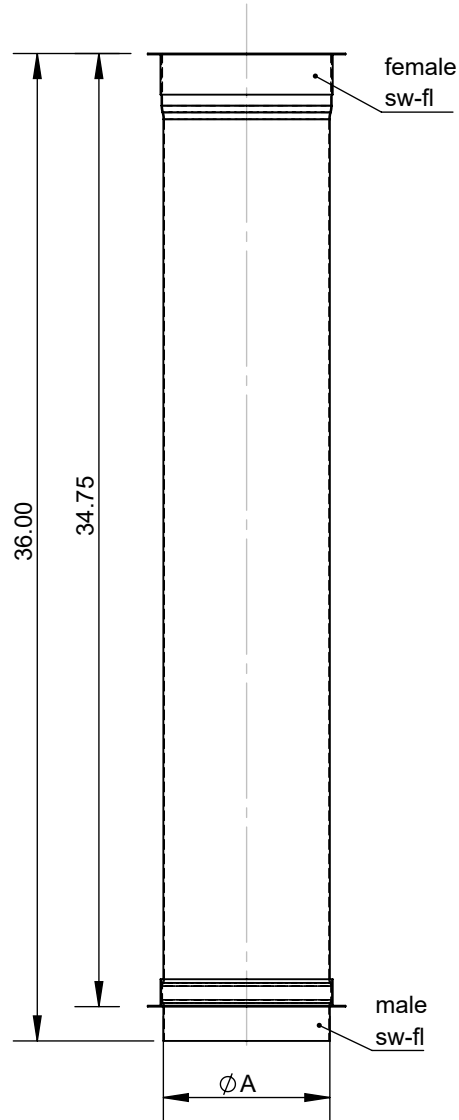
A

B

C

D

E



ϕ

18

20

22

A

18

20

22

material:
inside/outside

304

surface:
inside/outside

BA

inch / lb

revisions-no.



**NORTH AMERICAN
KITCHEN SOLUTIONS**
INCORPORATED

scale

format
US
LETTER

sheet

F

	date	name
drawn by		
checked by		
approved by		
modified by		

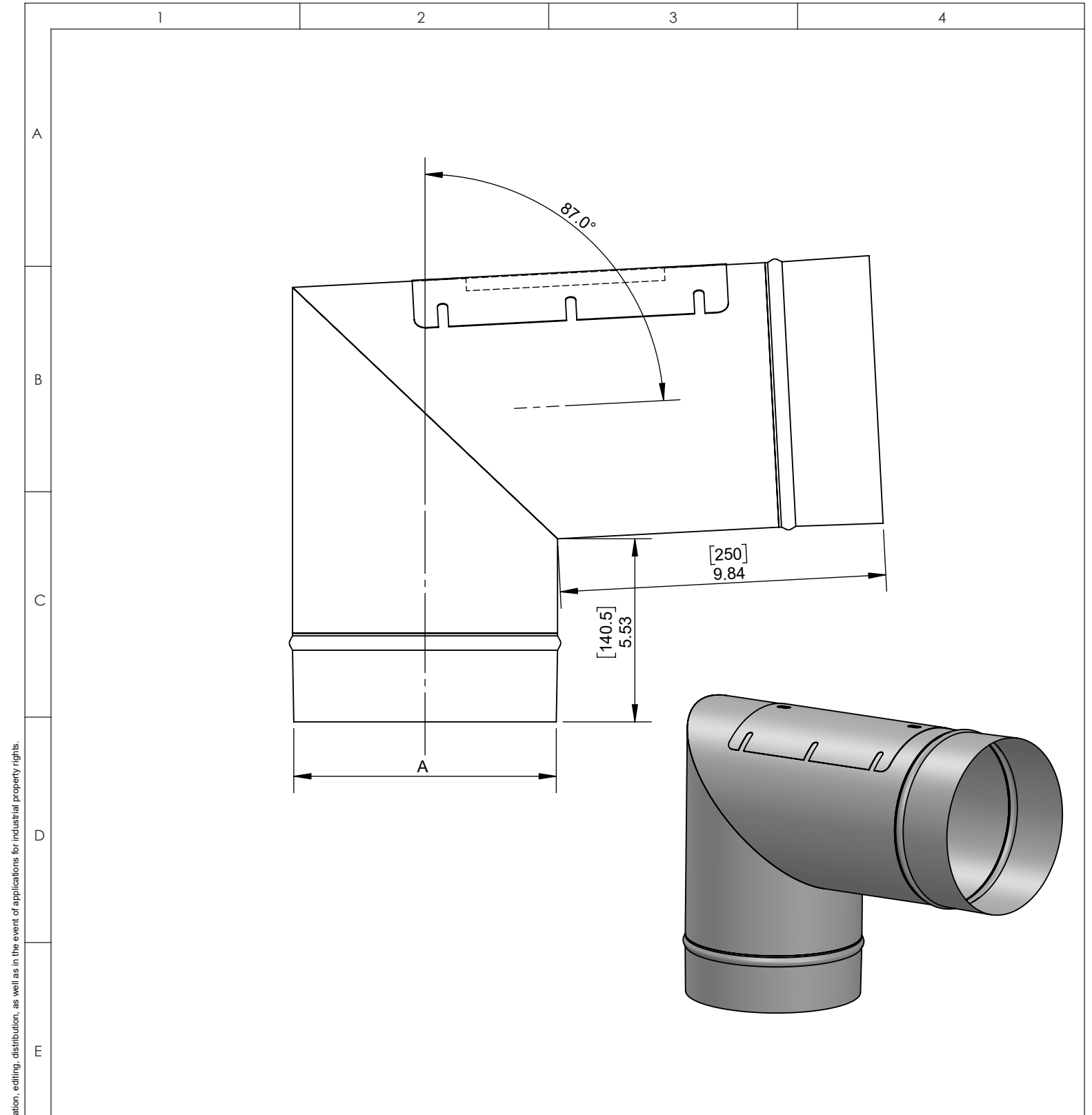
description 36" Fixed Length

code SWNAKSØ-36L



drawing no.



© NAKS Inc. All rights reserved, also regarding any disposal, exploitation, editing, distribution, as well as in the event of applications for industrial property rights.

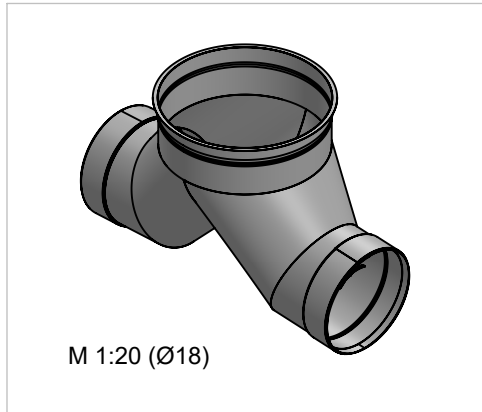
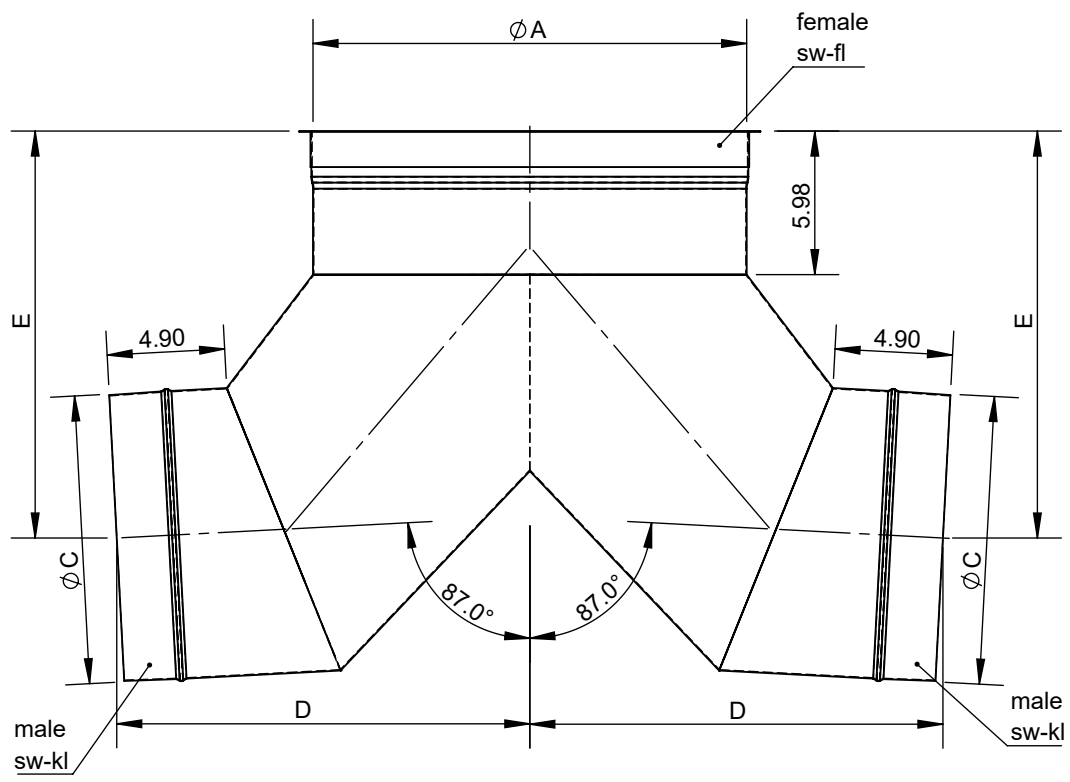


© NAKS Inc. All rights reserved, also regarding any disposal, exploitation, editing, distribution, as well as in the event of applications for industrial property rights.



	Ø	10	11	12	13	14	16	18	20	22			
	A	10	11	12	13	14	16	18	20	22			
F	material: inside/outside	304		surface: inside/outside	BA		inch / lb				scale		
						revisions-no.				 NORTH AMERICAN KITCHEN SOLUTIONS INCORPORATED			
					date	name	description 87 Degree Elbow w/ Access				format US LETTER		
					drawn by			code				sheet	
					checked by			SWNAKSØ-87EA					
				approved by			drawing no.						
				modified by									

1 2 3 4

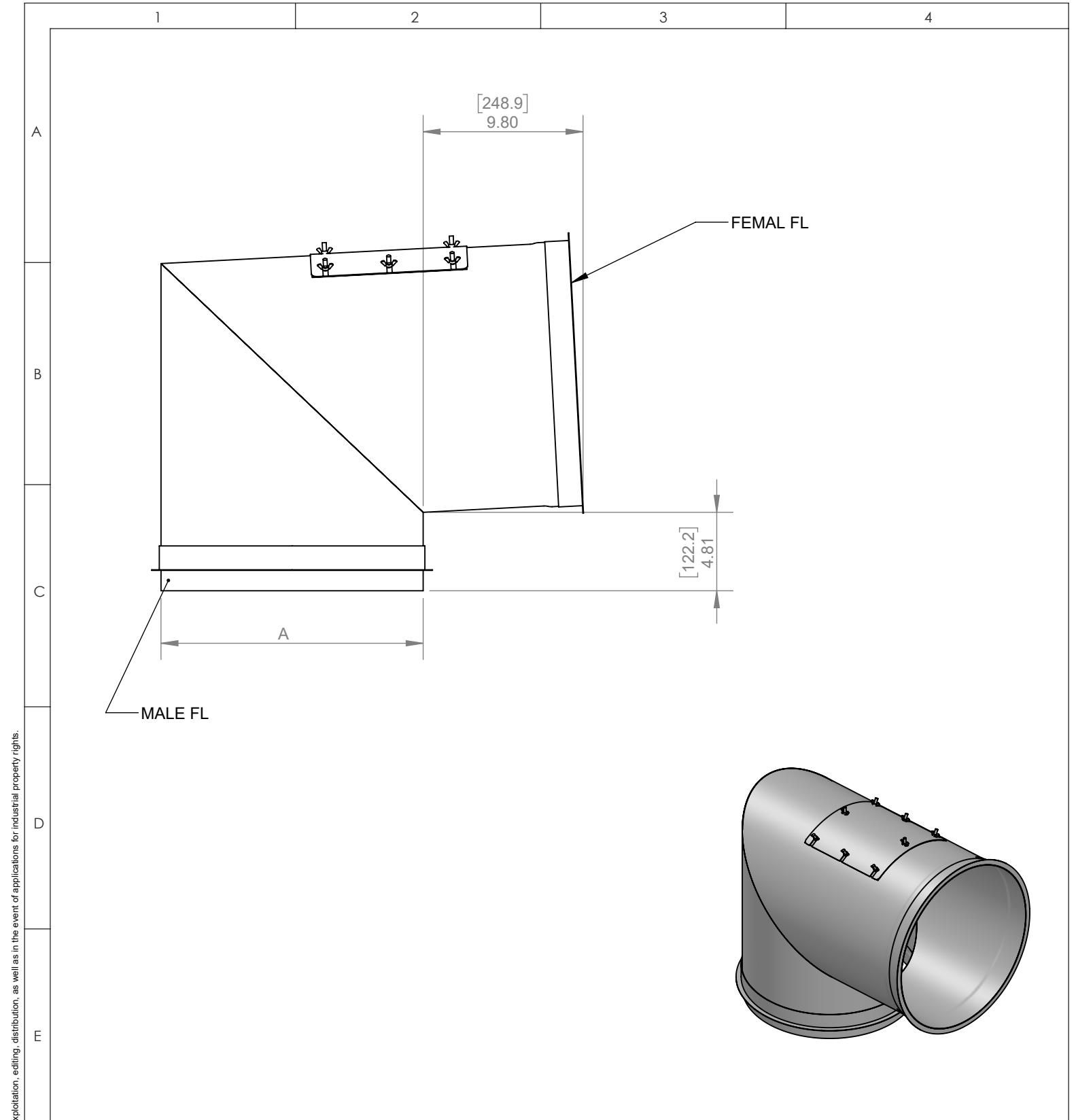
A
B
C
D
E
F



Ø	18	20	22
A	18	20	22
C	12	14	16
D	17.21	18.16	19.11
E	16.96	18.02	19.07
lb	20.9	24.62	28.41

material: inside/outside	surface: inside/outside	inch / lb		 NORTH AMERICAN KITCHEN SOLUTIONS INCORPORATED	scale 1:8
		revisions-no.			format US LETTER
UL-no.		date	name	description 87° Bull Head Tee	sheet 1 of 1
		drawn by	12/20/2018		DAR
		checked by			code SWNAKSØ-87BHTØ
		approved by			
modified by	3/18/2019	DAR	drawing no.		

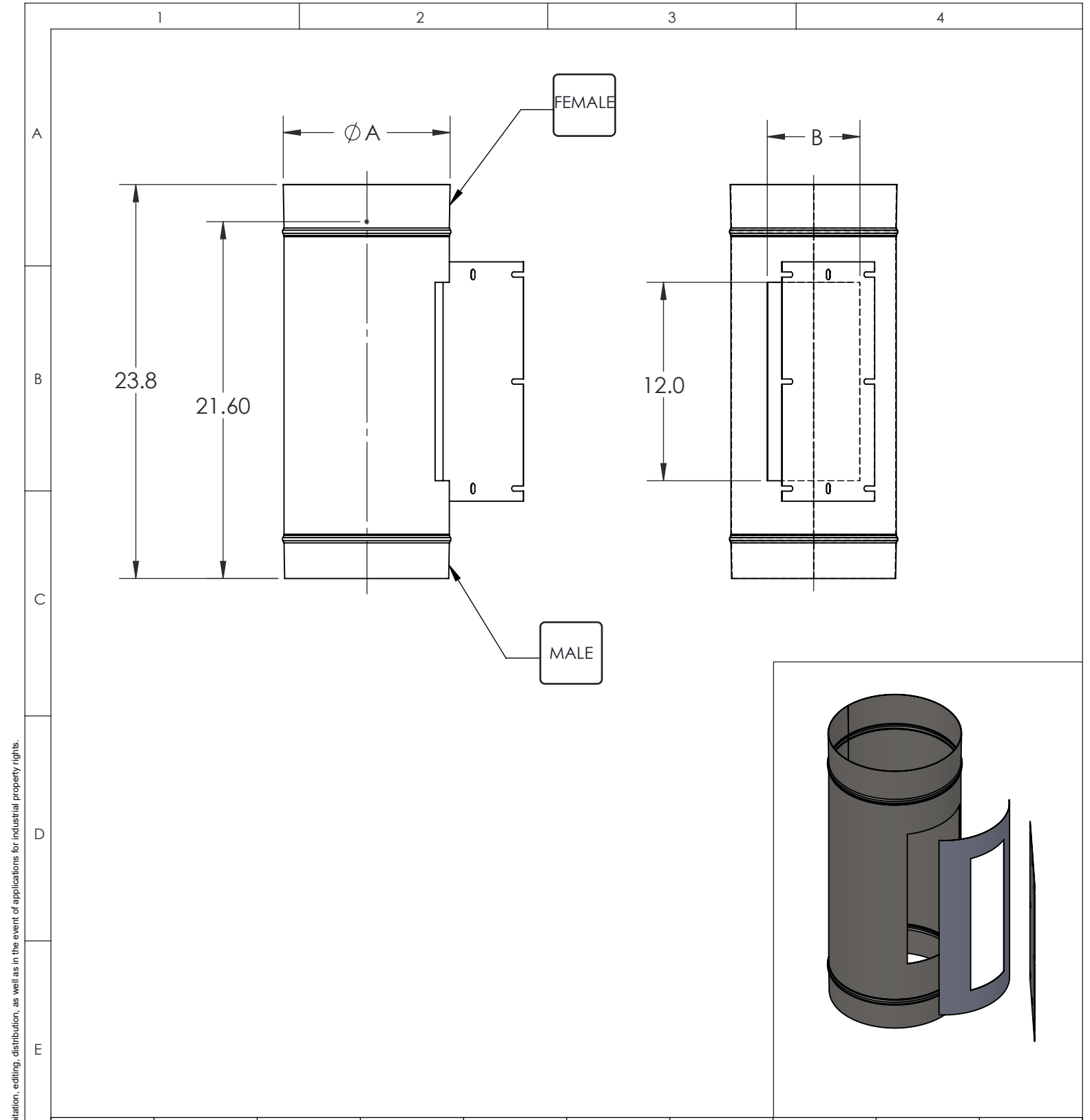
© NAKS Inc. All rights reserved, also regarding any disposal, exploitation, editing, distribution, as well as in the event of applications for industrial property rights.



© NAKS Inc. All rights reserved, also regarding any disposal, exploitation, editing, distribution, as well as in the event of applications for industrial property rights.

Ø		18		20		22			
A		18		20		22			
material: inside/outside		surface: inside/outside		inch / lb				scale	
304		BA		revisions-no.				format	
				date		name		description	
				drawn by				87 Degree Elbow w/ Access	
				checked by				code	
				approved by				SWNAKSØ-87EA	
				modified by				drawing no.	
								sheet	





© NAKS Inc. All rights reserved, also regarding any disposal, exploitation, editing, distribution, as well as in the event of applications for industrial property rights.

	Ø	10	11	12	13	14	16	18	20	22	
	A	10	11	12	13	14	16	18	20	22	
F	material: inside/outside		surface: inside/outside		inch / lb						scale
	304		BA		revisions-no.						format
					date	name	description				US LETTER
					drawn by		SWNAKSØ-IAD				sheet
					checked by		drawing no.				
				approved by							
				modified by							

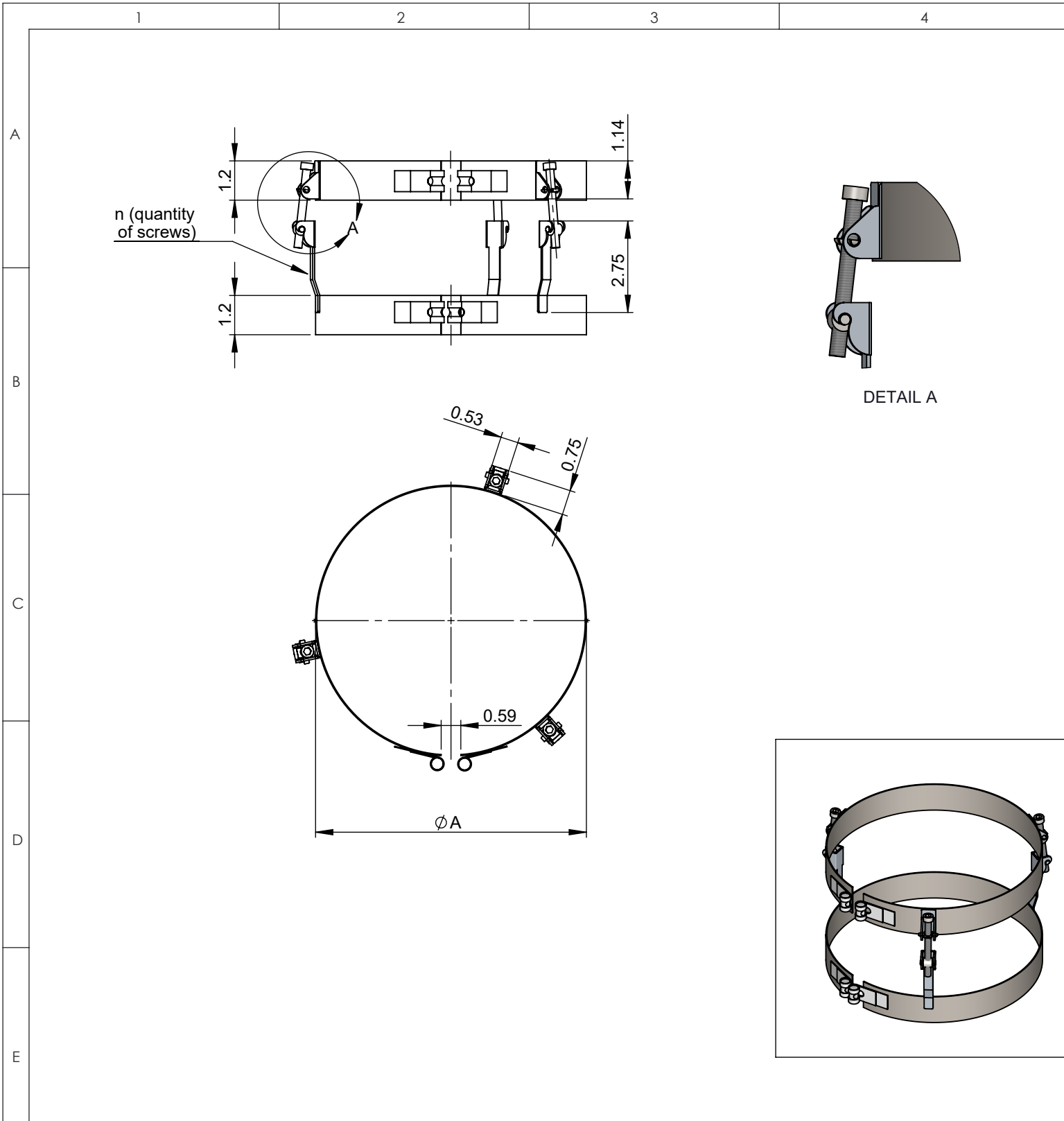


description Inline Access Door

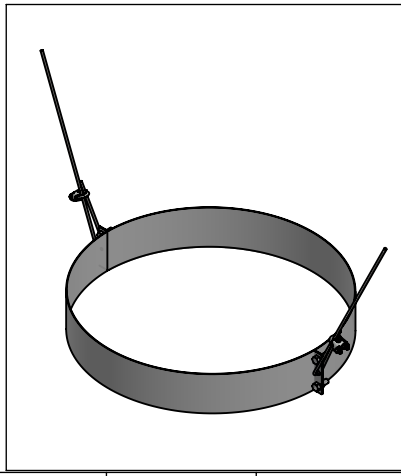
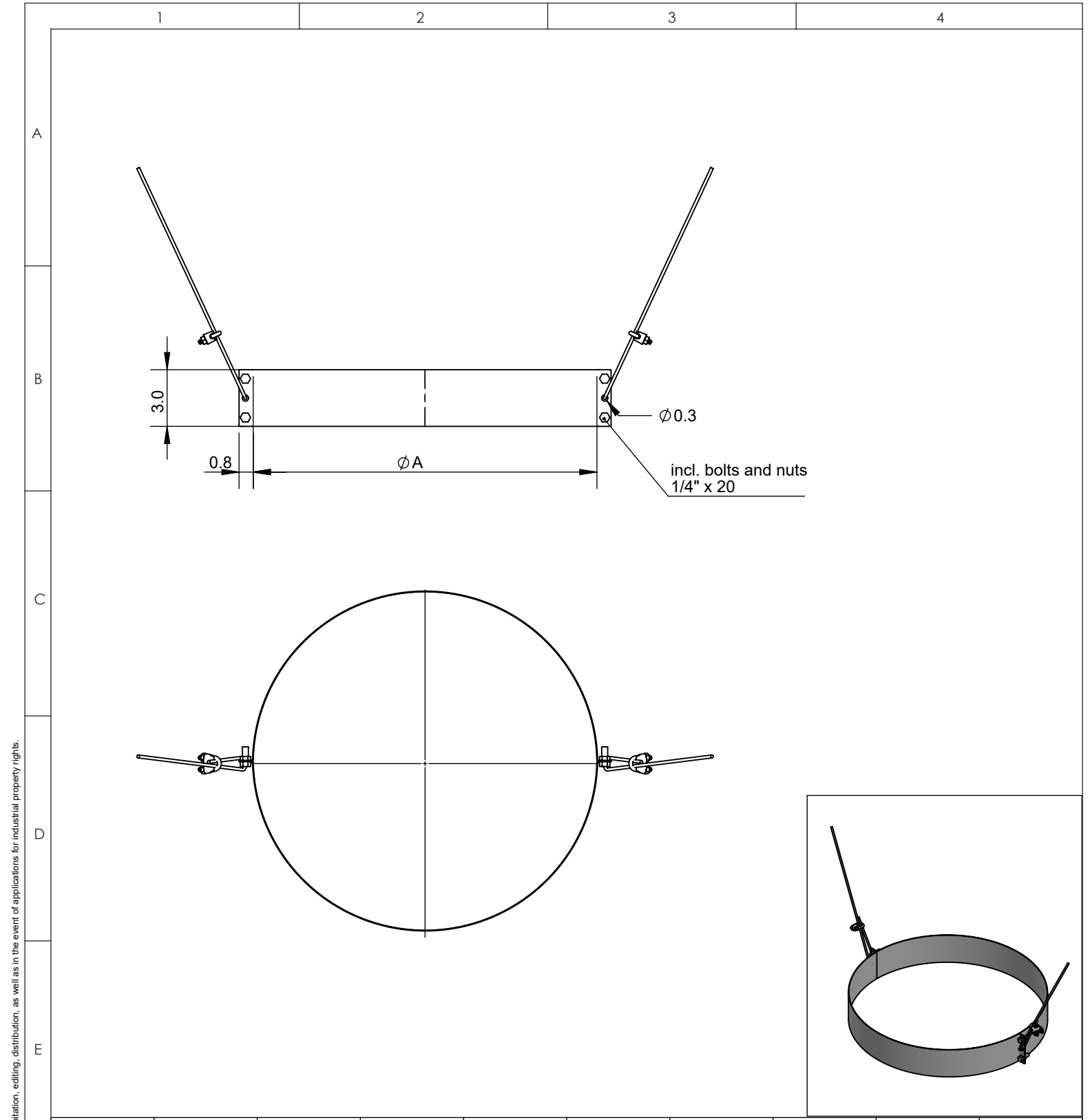
code SWNAKSØ-IAD





© NAKS Inc. All rights reserved, also regarding any disposal, exploitation, editing, distribution, as well as in the event of applications for industrial property rights.



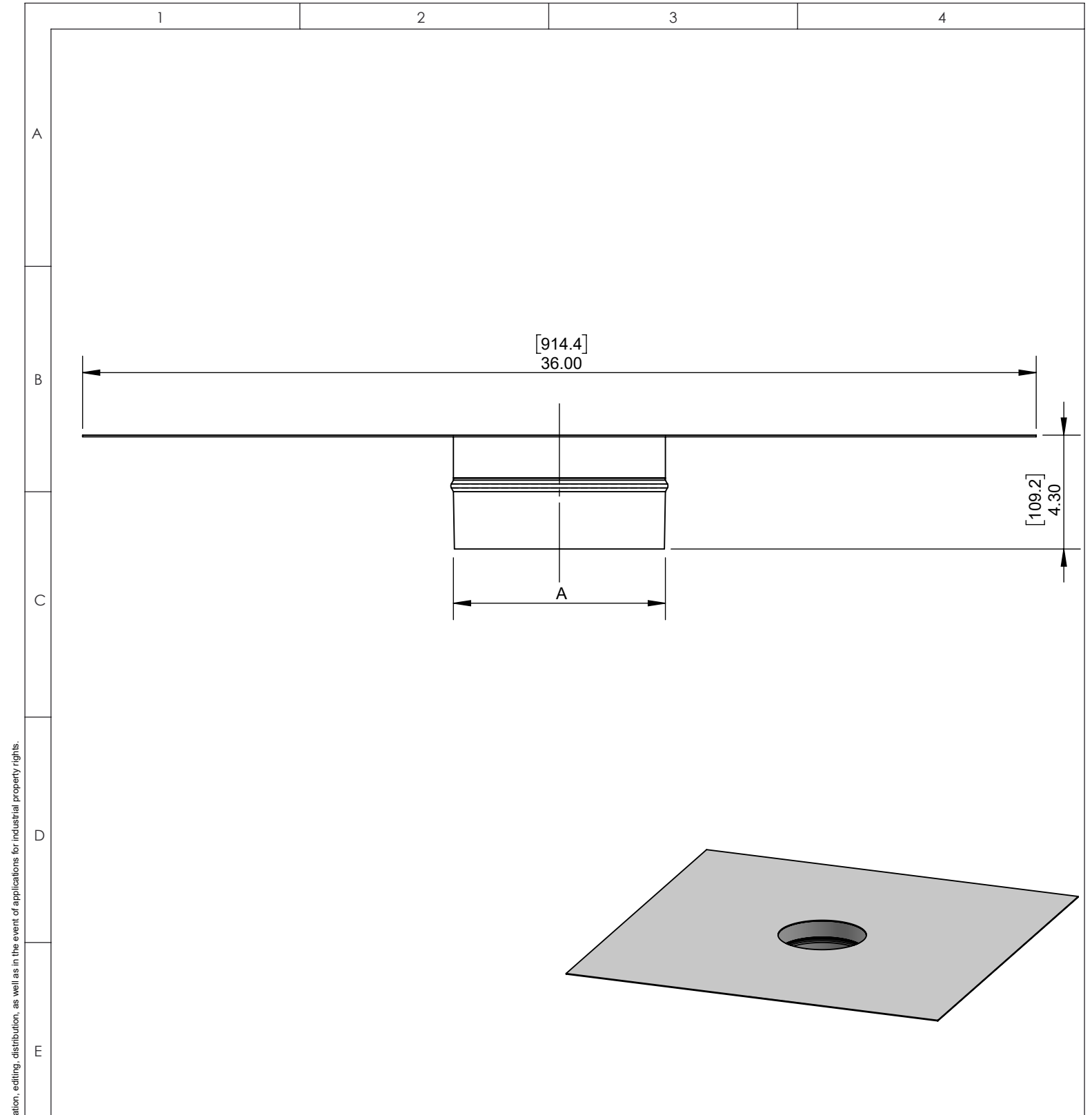
\emptyset	10	11	12	13	14	16	18	20	22				
A	10	11	12	13	14	16	18	20	22				
material: inside/outside	304	surface: inside/outside	BA	inch / lb						scale			
				revisions-no.						A		format	
				date	name	description				US LETTER			
				drawn by		code				sheet			
				checked by						SWNAKSØ-KLC			
				approved by									
				modified by		drawing no.							




Ø	10	11	12	13	14	16	18	20	22
A	10	11	12	13	14	16	18	20	22

F	material: inside/outside	304	surface: inside/outside	BA	inch / lb		 NORTH AMERICAN KITCHEN SOLUTIONS INCORPORATED	scale
			revisions-no.		A			format
			date	name	description			US LETTER
			drawn by					sheet
			checked by					
		approved by				code		
		modified by				SWNAKSØ-LSB		
				drawing no.				

© NAKS Inc. All rights reserved, also regarding any disposal, exploitation, editing, distribution, as well as in the event of applications for industrial property rights.



© NAKS Inc. All rights reserved, also regarding any disposal, exploitation, editing, distribution, as well as in the event of applications for industrial property rights.

	Ø	10	11	12	13	14	16	18	20	22	
	A	10	11	12	13	14	16	18	20	22	
F	material: inside/outside	304		surface: inside/outside	BA		inch / lb				scale
				revisions-no.		 NORTH AMERICAN KITCHEN SOLUTIONS INCORPORATED				format	
					date					name	description Fan Plate Adapter - End 36"x36"
				drawn by			code SWNAKSØ-FPE:36x36				
				checked by							drawing no.
			approved by								
			modified by								