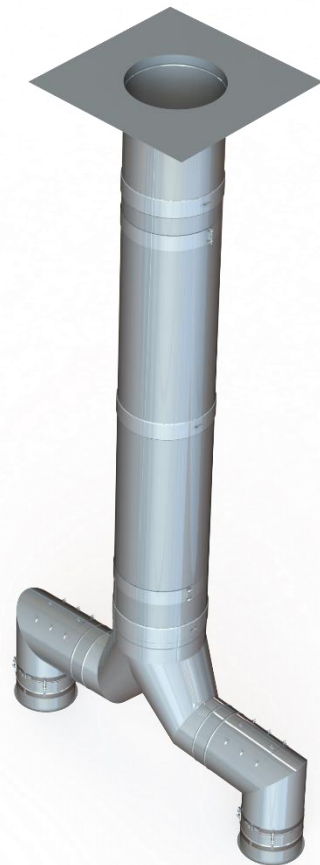
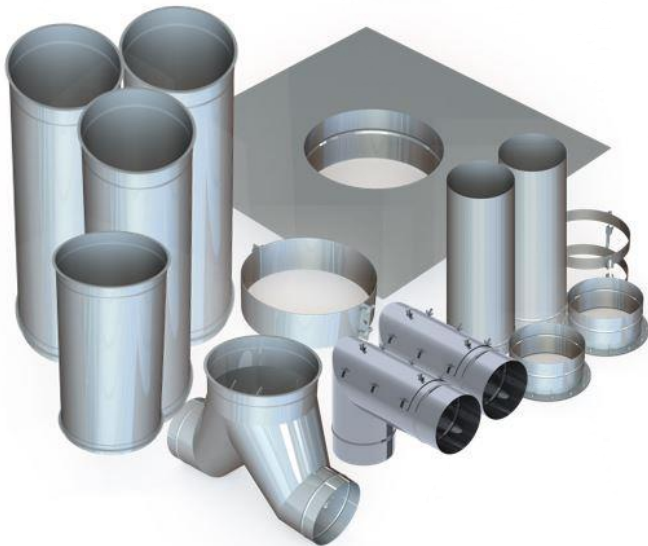


Grease Duct Spec

Model:

SW-NAKS-KIT016

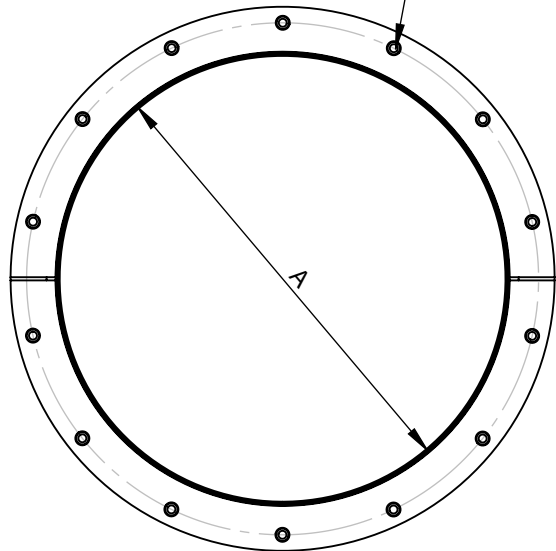
Single Wall Flanged 20" Vertical



1 2 3 4

1/4" X 1" BOLTS

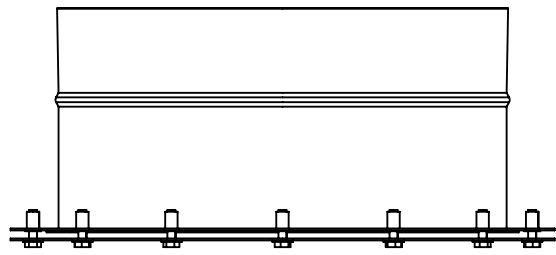
A



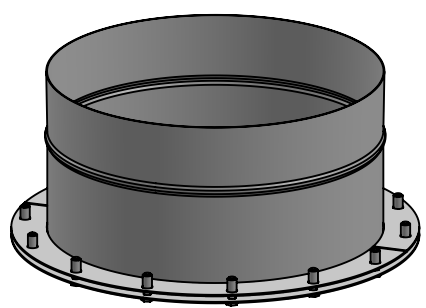
B

C


D



E

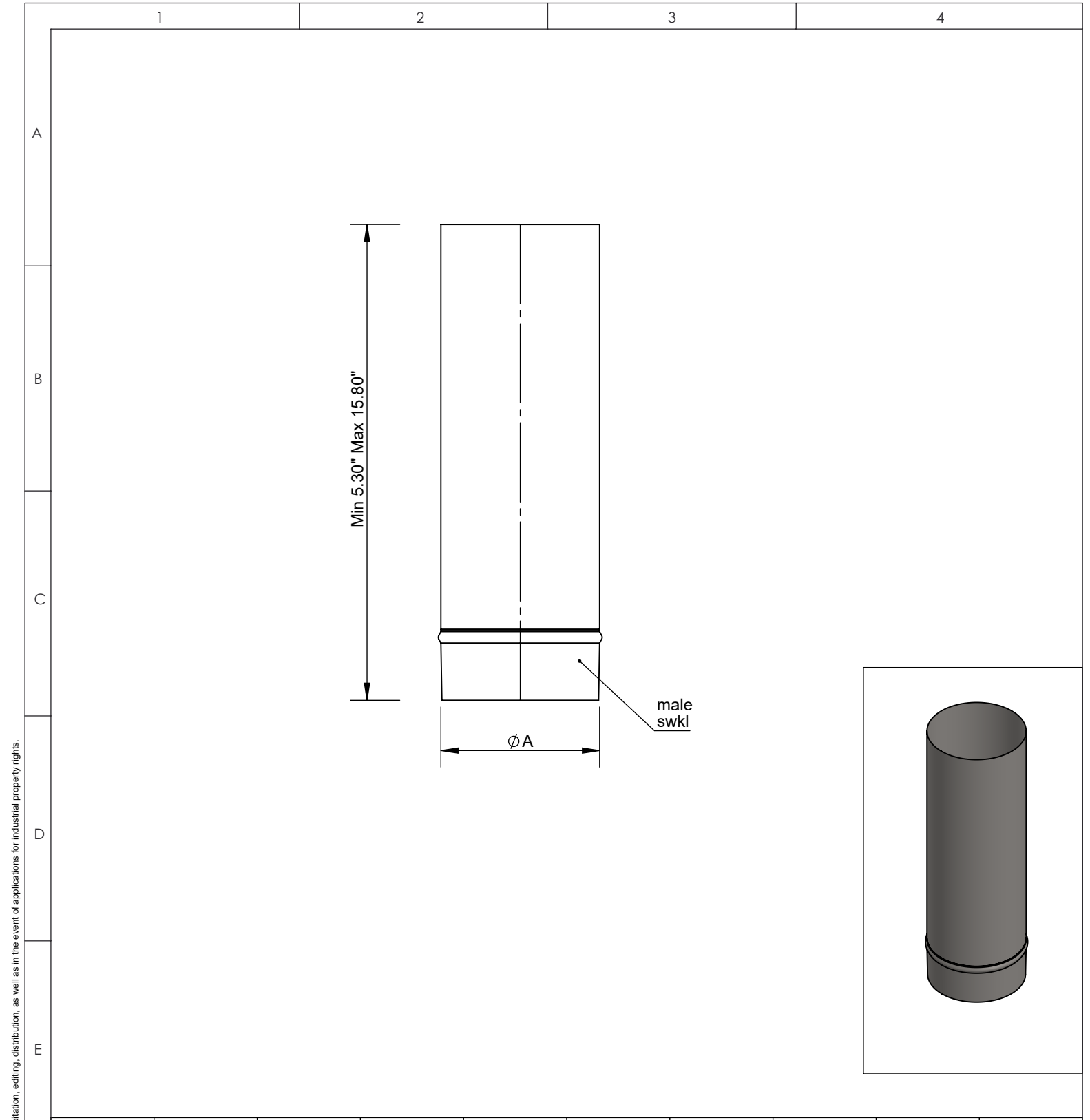


Ø	10	11	12	13	14	16	18	20	22
A	10	11	12	13	14	16	18	20	22

F	material: inside/outside	304	surface: inside/outside	BA	inch / lb					 NORTH AMERICAN KITCHEN SOLUTIONS INCORPORATED	scale
	revisions-no.				description No Weld Hood Adapter code SWNAKSØ-NWHA drawing no.						format US LETTER
	date	name		sheet							
	drawn by										
	checked by										
approved by											
modified by											



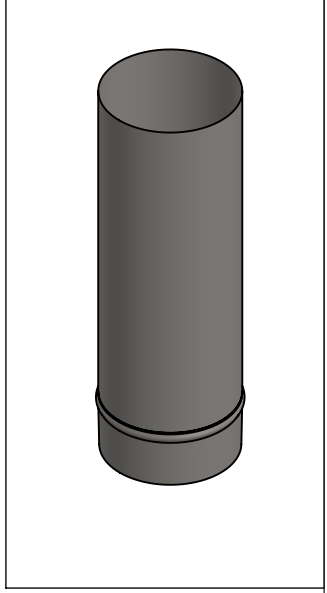
© NAKS Inc. All rights reserved, also regarding any disposal, exploitation, editing, distribution, as well as in the event of applications for industrial property rights.





male swkl

ϕA

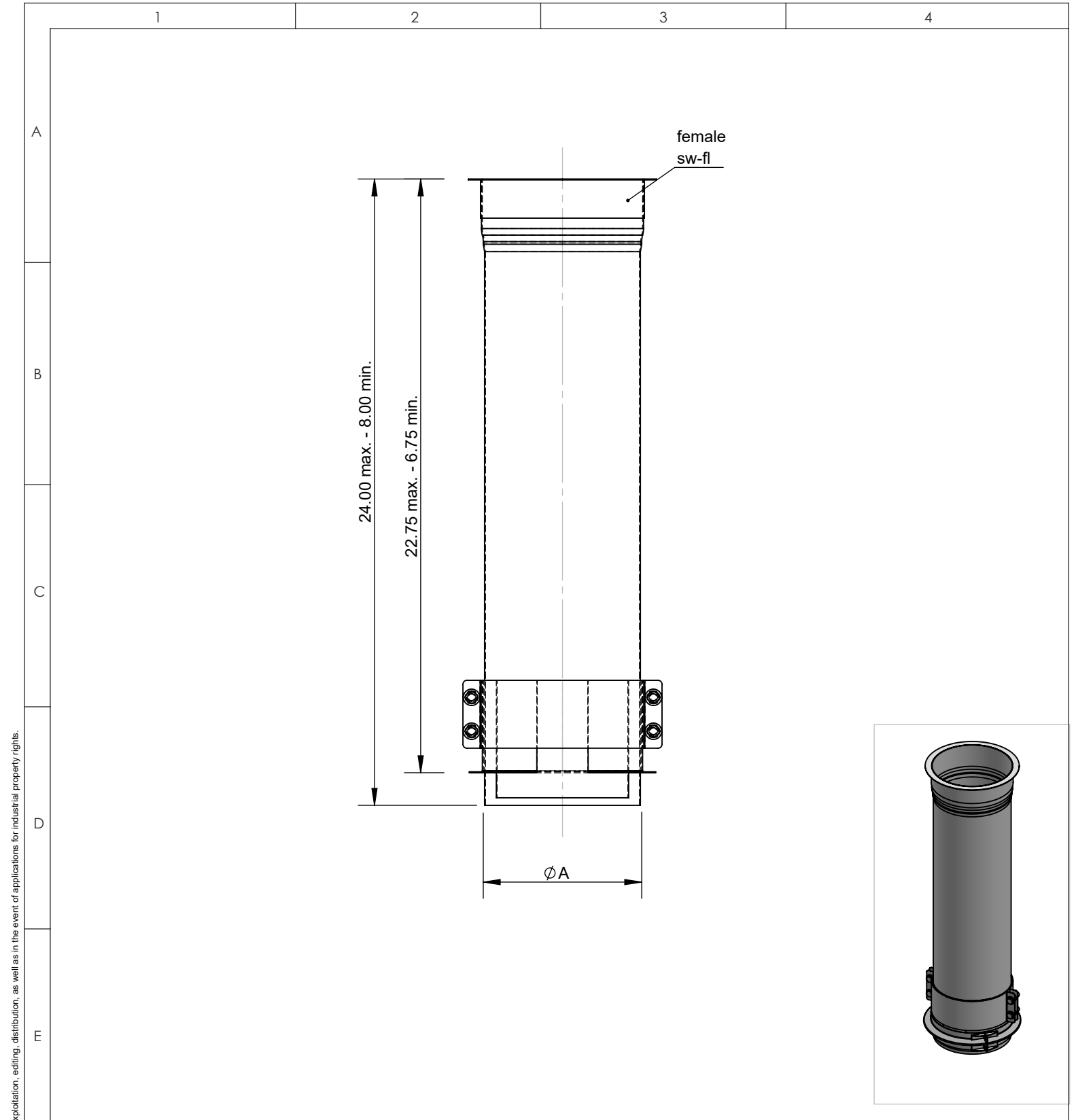
Min 5.30" Max 15.80"



ϕ	10	11	12	13	14	16	18	20	22
A	10	11	12	13	14	16	18	20	22

F	material: inside/outside	304	surface: inside/outside	BA	inch / lb				 NORTH AMERICAN KITCHEN SOLUTIONS INCORPORATED	scale
	revisions-no.				description					format
	date				name					US LETTER
	drawn by				code					sheet
	checked by				drawing no.					
approved by				SWNAKSØ-18CL						
modified by										

© NAKS Inc. All rights reserved, also regarding any disposal, exploitation, editing, distribution, as well as in the event of applications for industrial property rights.



© NAKS Inc. All rights reserved, also regarding any disposal, exploitation, editing, distribution, as well as in the event of applications for industrial property rights.

Ø	18	20	22
A	18	20	22
material: inside/outside	surface: inside/outside	inch / lb	
304	BA	revisions-no.	
		date	name
		drawn by	description
		checked by	24" Adjustable Length
		approved by	code
		modified by	SWNAKSØ-24AL
		drawing no.	scale
		NORTH AMERICAN KITCHEN SOLUTIONS <small>INCORPORATED</small>	
		format	US LETTER
		sheet	sheet

1

2

3

4

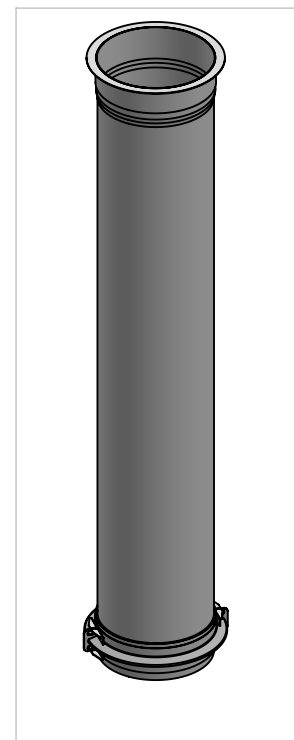
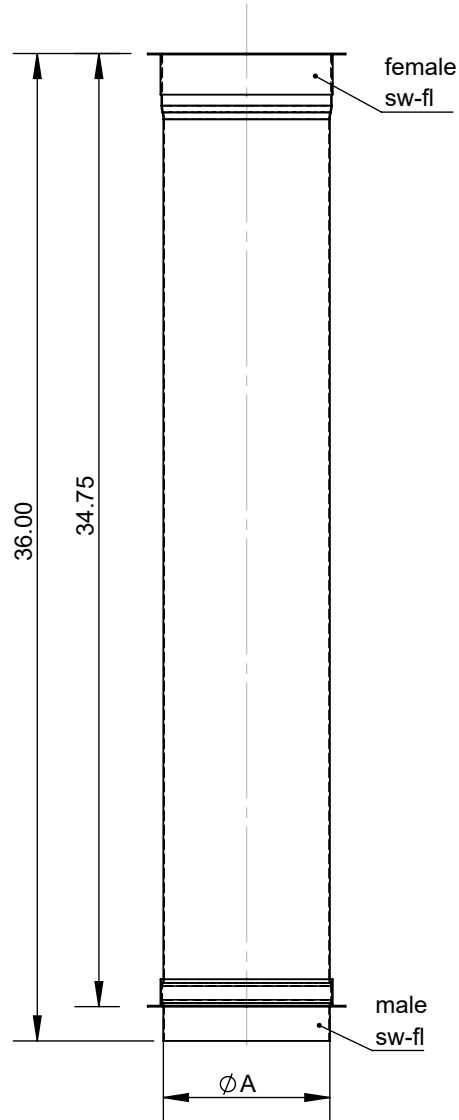
A

B

C

D

E



ϕ

18

20

22

A

18

20

22

material:
inside/outside

304

surface:
inside/outside

BA

inch / lb

revisions-no.



**NORTH AMERICAN
KITCHEN SOLUTIONS
INCORPORATED**

scale

format
**US
LETTER**

sheet

F

	date	name
drawn by		
checked by		
approved by		
modified by		

description **36" Fixed Length**

code **SWNAKSØ-36L**

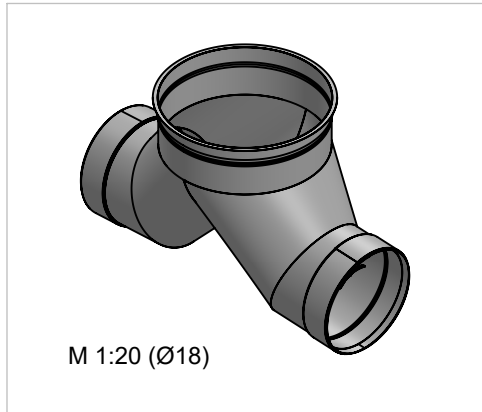
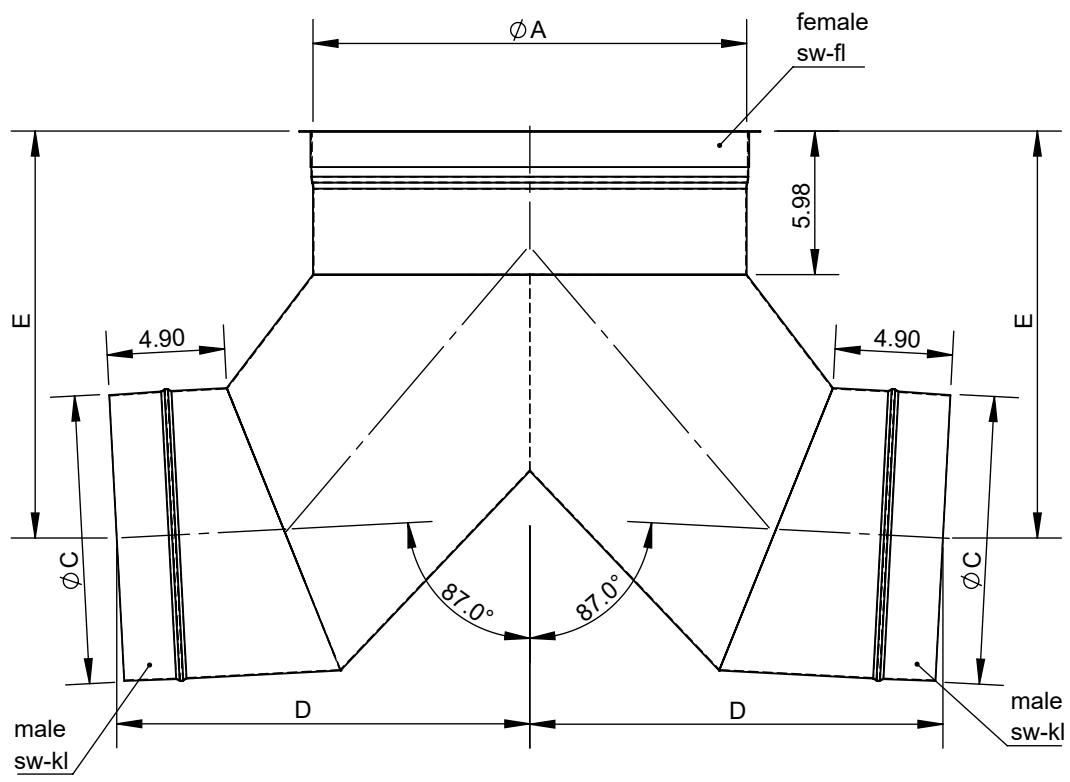
drawing no.





© NAKS Inc. All rights reserved, also regarding any disposal, exploitation, editing, distribution, as well as in the event of applications for industrial property rights.

1 2 3 4

A
B
C
D
E
F



Ø	18	20	22
A	18	20	22
C	12	14	16
D	17.21	18.16	19.11
E	16.96	18.02	19.07
lb	20.9	24.62	28.41

material: inside/outside	surface: inside/outside	inch / lb			 NORTH AMERICAN KITCHEN SOLUTIONS INCORPORATED	scale 1:8
		revisions-no.				description 87° Bull Head Tee
F	date		name	code SWNAKSØ-87BHTØ	drawing no.	sheet 1 of 1
	drawn by	12/20/2018	DAR			
	checked by					
	approved by					
UL-no.	modified by	3/18/2019	DAR			

© NAKS Inc. All rights reserved, also regarding any disposal, exploitation, editing, distribution, as well as in the event of applications for industrial property rights.

1

2

3

4

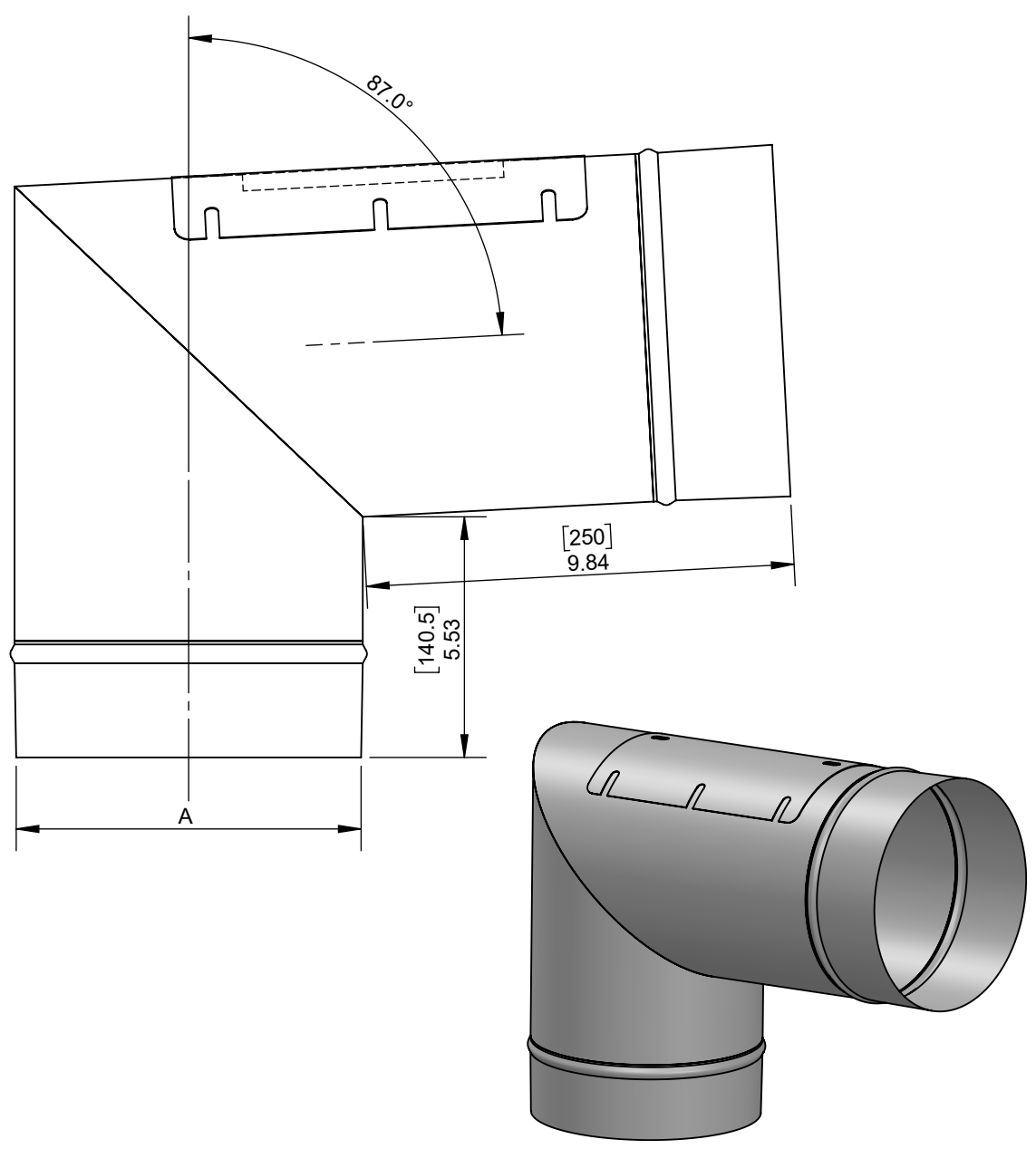
A

B



C

D

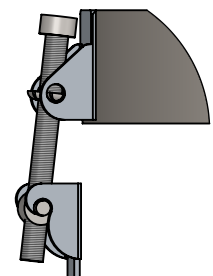
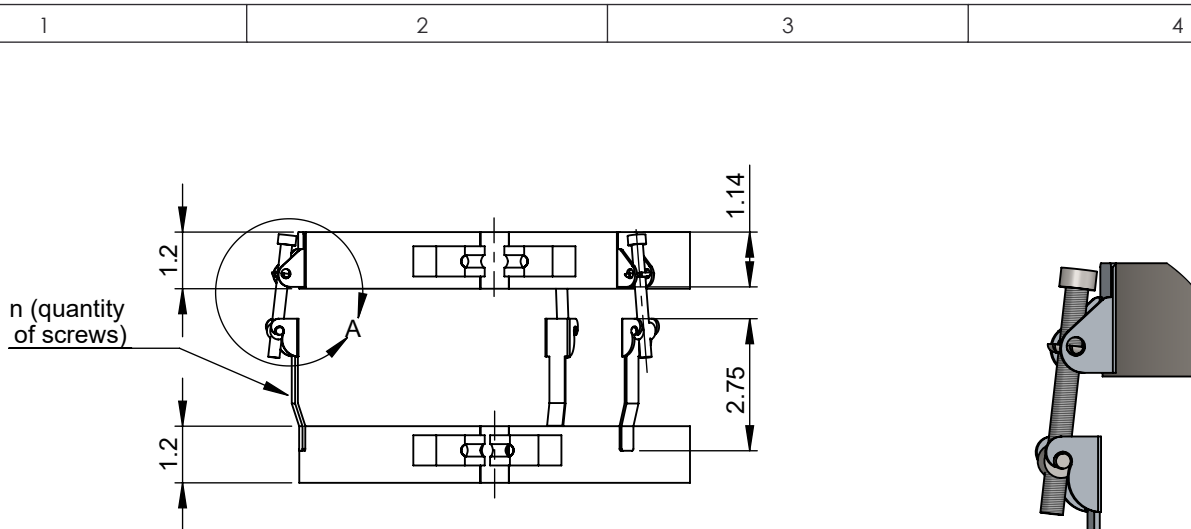
E



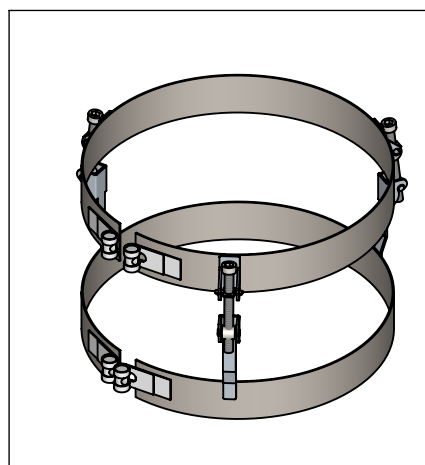
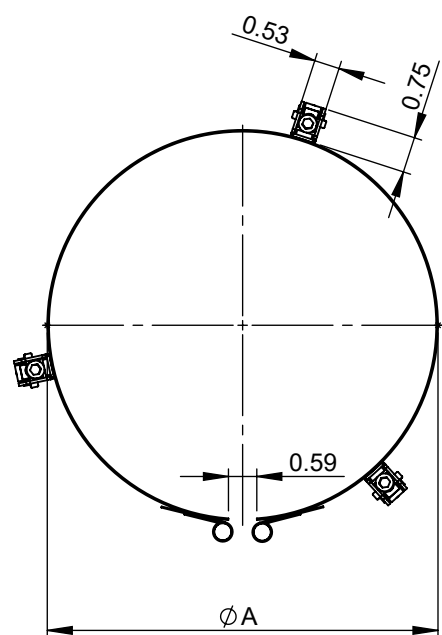
© NAKS Inc. All rights reserved, also regarding any disposal, exploitation, editing, distribution, as well as in the event of applications for industrial property rights.

\emptyset	10	11	12	13	14	16	18	20	22	
A	10	11	12	13	14	16	18	20	22	
material: inside/outside	304	surface: inside/outside	BA	inch / lb		 NORTH AMERICAN KITCHEN SOLUTIONS INCORPORATED				scale
revisions-no.				description						format
				date	name	87 Degree Elbow w/ Access				US LETTER
		drawn by								sheet
		checked by								code
		approved by								SWNAKSØ-87EA
		modified by				drawing no.				



© NAKS Inc. All rights reserved, also regarding any disposal, exploitation, editing, distribution, as well as in the event of applications for industrial property rights.

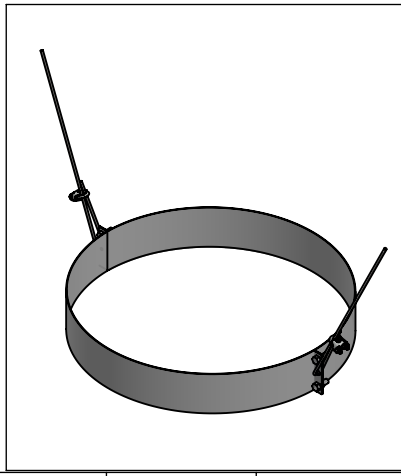
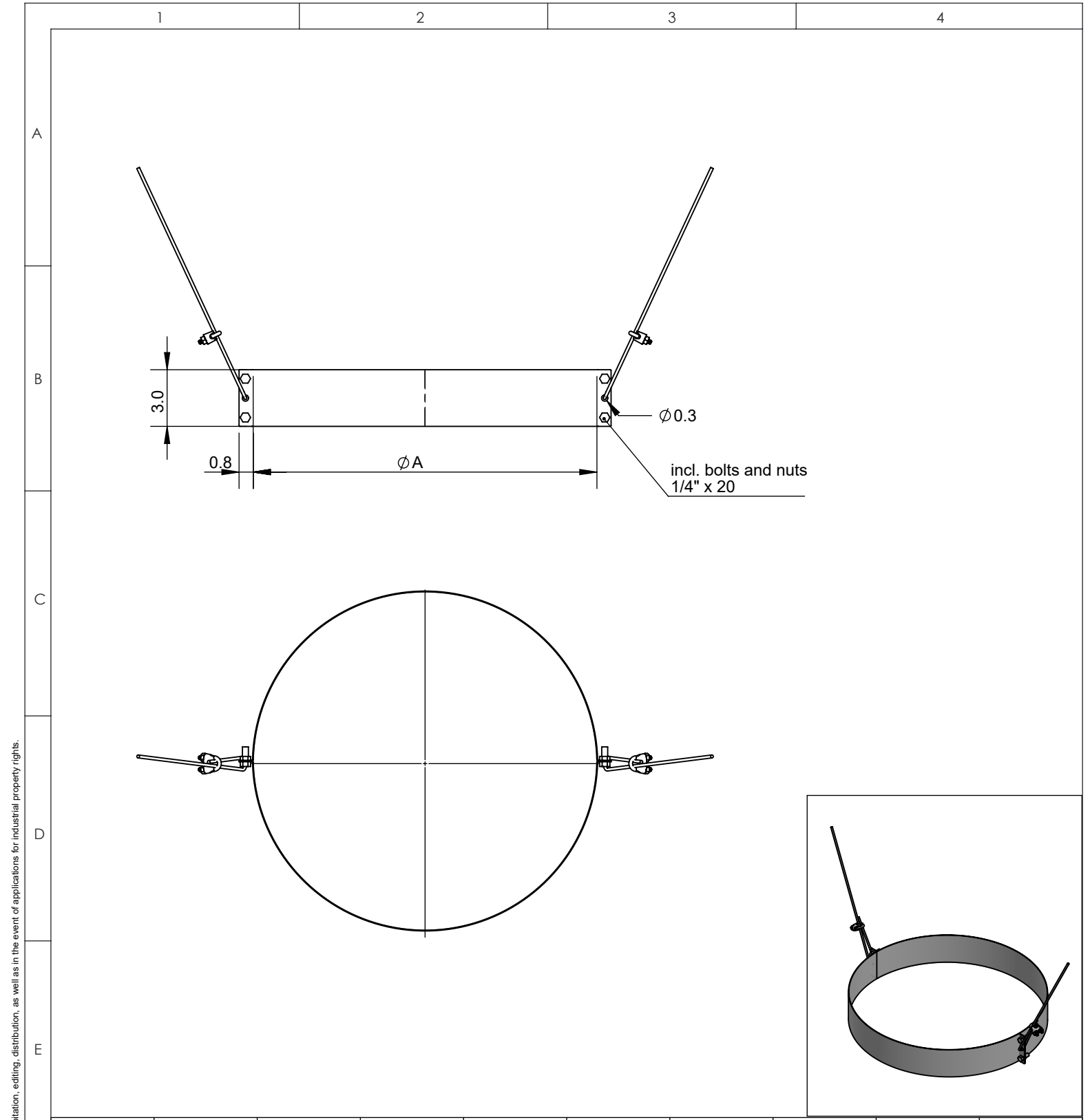


DETAIL A




\varnothing	10	11	12	13	14	16	18	20	22
A	10	11	12	13	14	16	18	20	22

material: inside/outside	304	surface: inside/outside	BA	inch / lb		 NORTH AMERICAN KITCHEN SOLUTIONS INCORPORATED	scale	
				revisions-no.	A		format	US LETTER
				date	name	description	sheet	
				drawn by				KL Clamp
				checked by				
				approved by				
				code	SWNAKSØ-KLC	drawing no.		
				modified by				

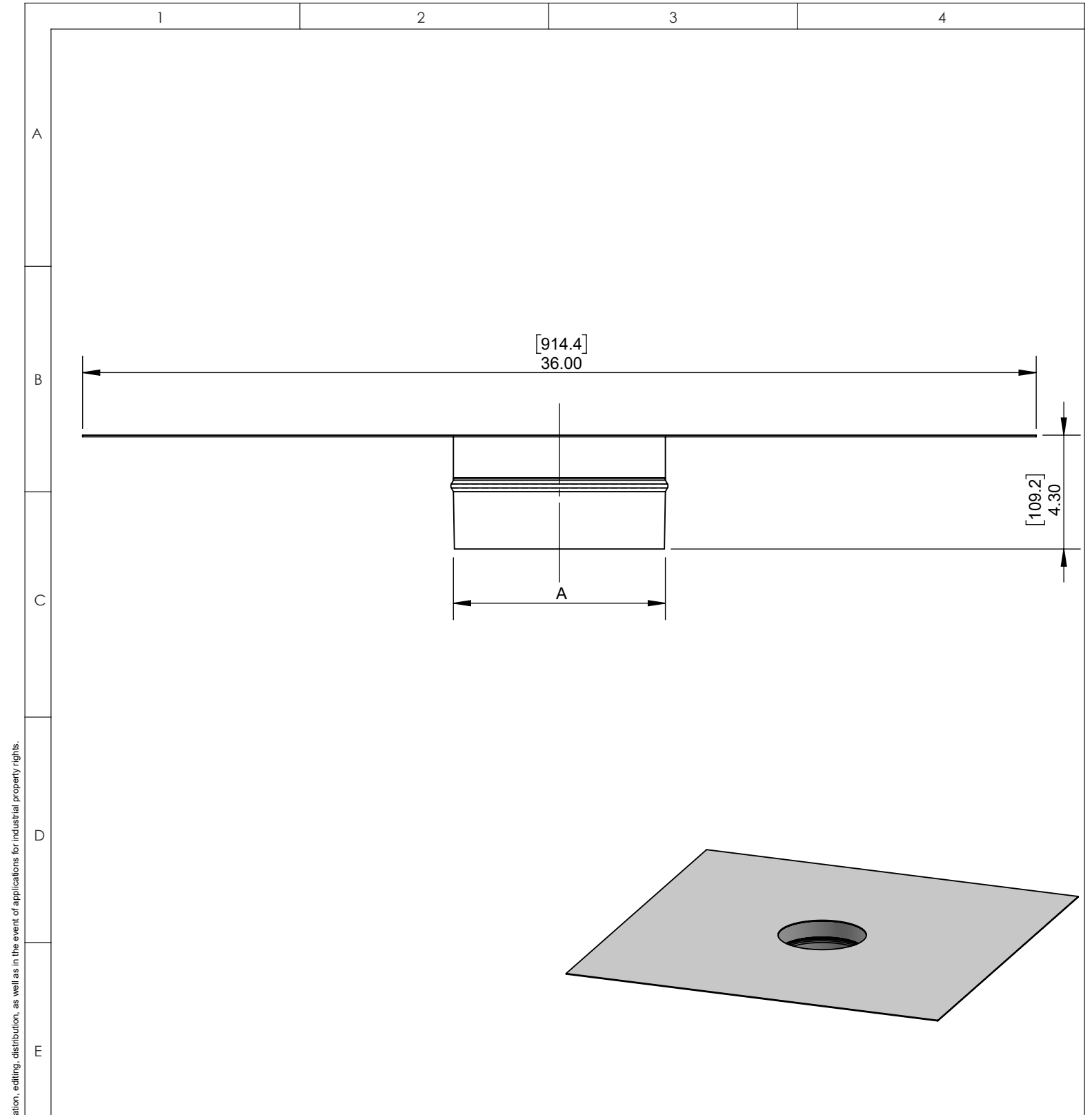


Ø	10	11	12	13	14	16	18	20	22
A	10	11	12	13	14	16	18	20	22


F	material: inside/outside	304	surface: inside/outside	BA	inch / lb		 NORTH AMERICAN KITCHEN SOLUTIONS INCORPORATED	scale
			revisions-no.		A			format
			date	name	description			US LETTER
			drawn by					sheet
			checked by					
		approved by				code		
		modified by				SWNAKSØ-LSB		
						drawing no.		



© NAKS Inc. All rights reserved, also regarding any disposal, exploitation, editing, distribution, as well as in the event of applications for industrial property rights.



© NAKS Inc. All rights reserved, also regarding any disposal, exploitation, editing, distribution, as well as in the event of applications for industrial property rights.

	Ø	10	11	12	13	14	16	18	20	22	
	A	10	11	12	13	14	16	18	20	22	
F	material: inside/outside	304		surface: inside/outside	BA		inch / lb				scale
				revisions-no.		 NORTH AMERICAN KITCHEN SOLUTIONS INCORPORATED				format	
					date					name	description
				drawn by			36"x36"			sheet	
				checked by			code	SWNAKSØ-FPE:36x36			
			approved by			drawing no.					
			modified by								