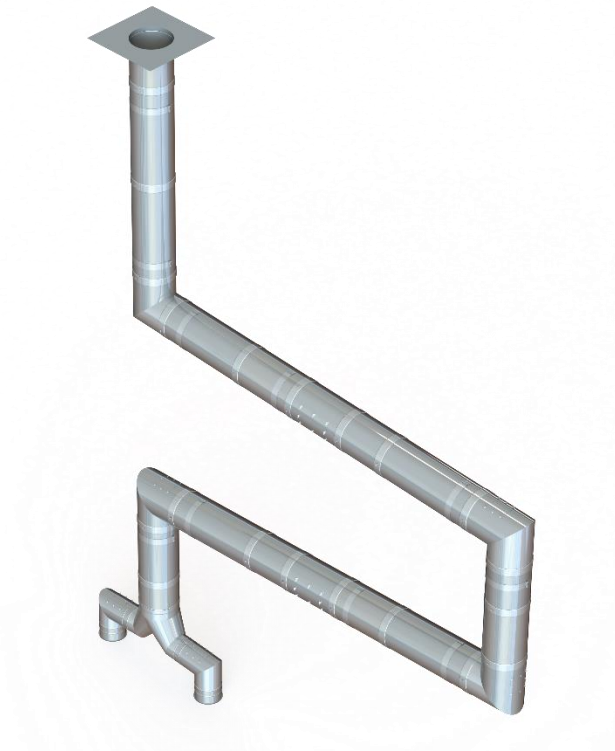
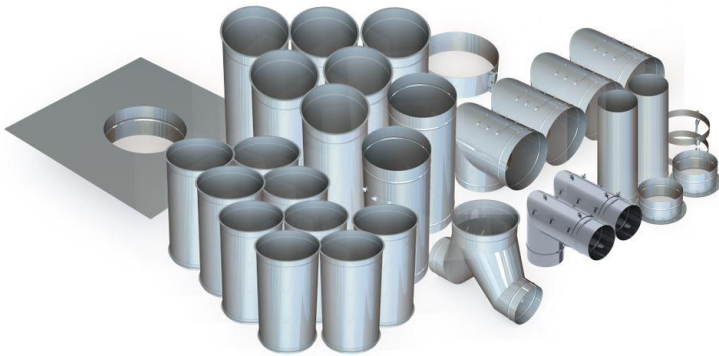


Grease Duct Spec

Model:

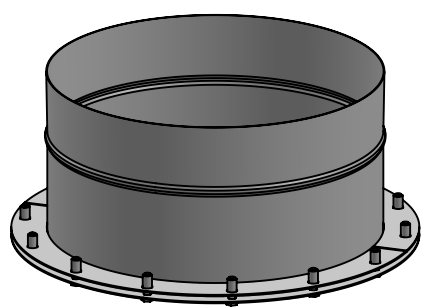
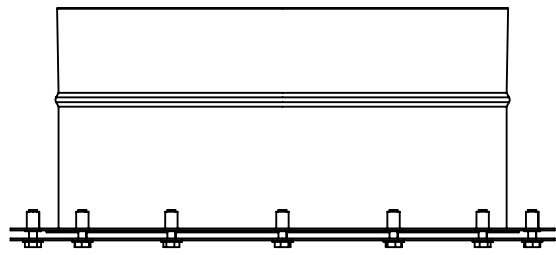
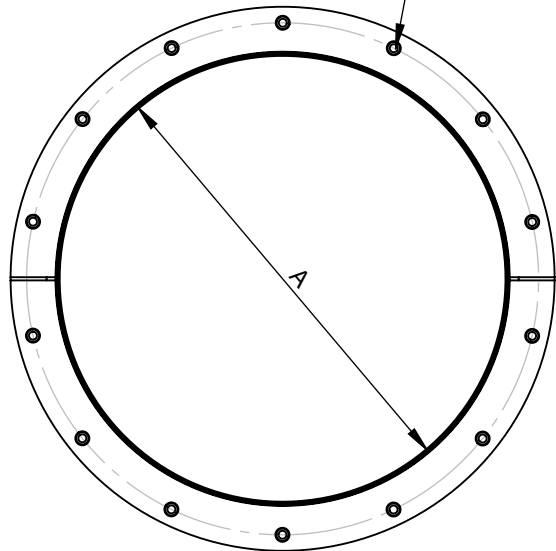
SW-NAKS-KIT018

**Single Wall Flanged 20"
with Four Elbows**





1 2 3 4

1/4" X 1" BOLTS

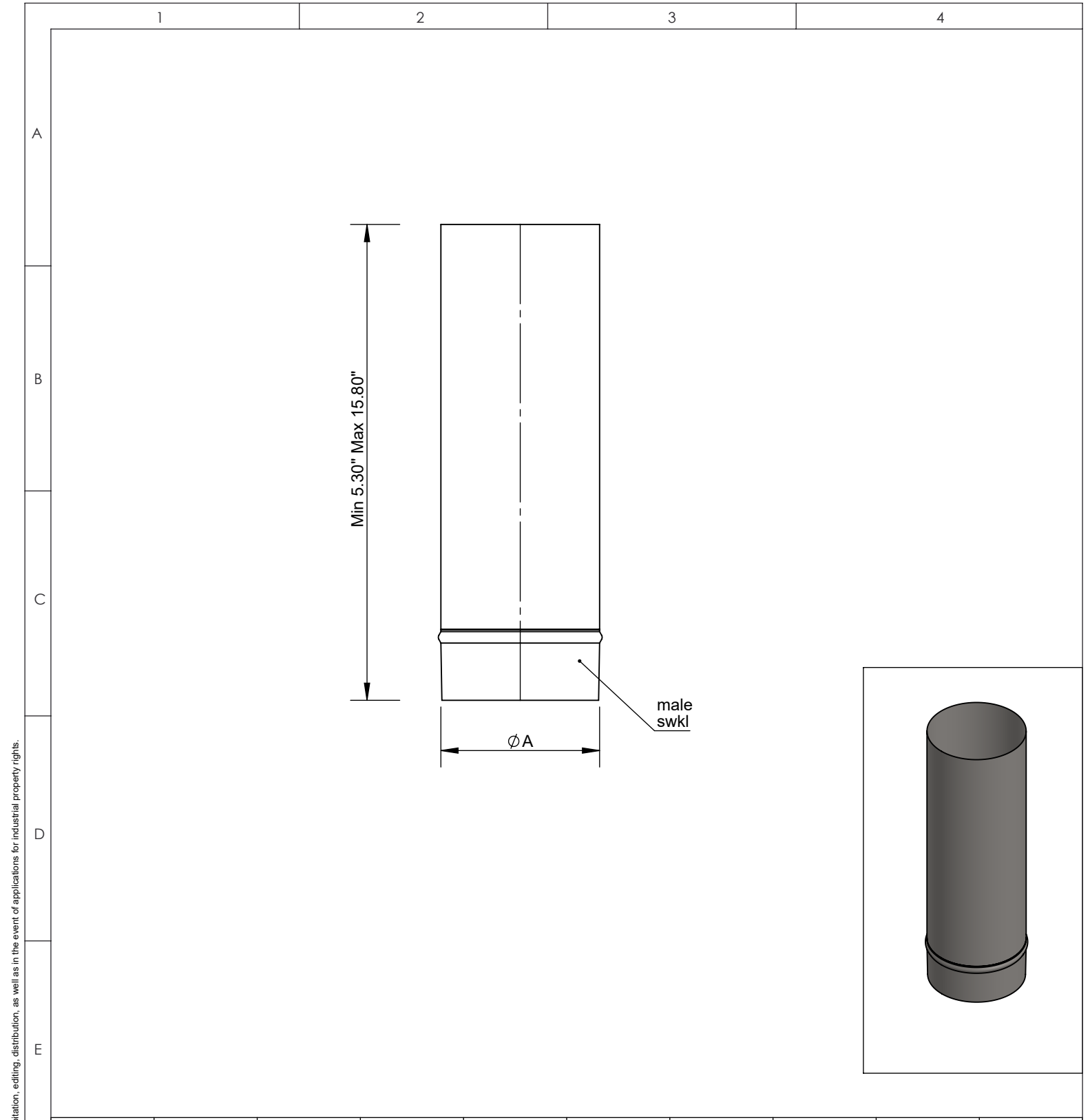




A
B
C
D
E

Ø	10	11	12	13	14	16	18	20	22
A	10	11	12	13	14	16	18	20	22

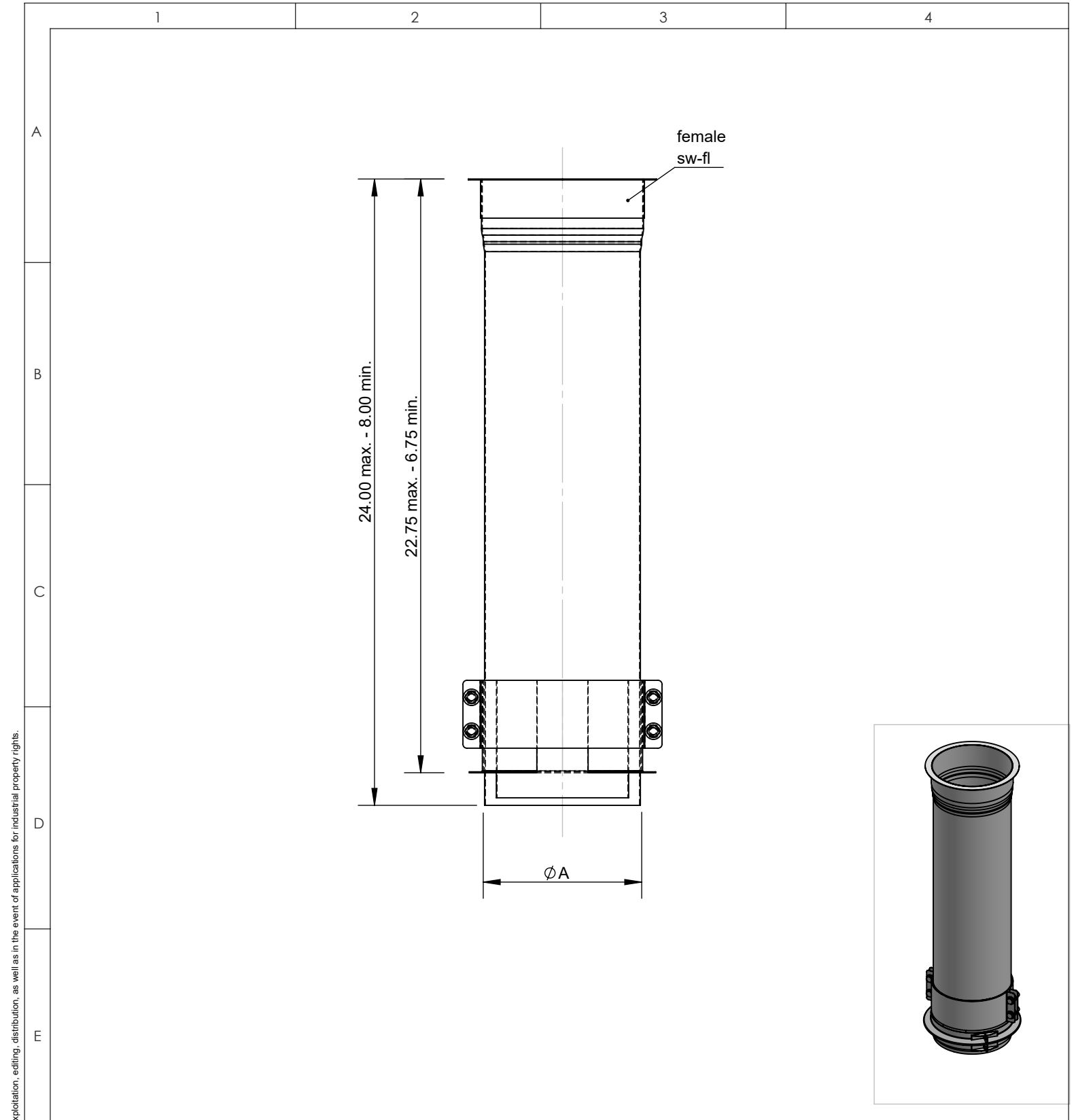
material: inside/outside	304	surface: inside/outside	BA	inch / lb		 NORTH AMERICAN KITCHEN SOLUTIONS INCORPORATED	scale	
				revisions-no.			format	
				date	name		description	US LETTER
				drawn by			No Weld Hood Adapter	sheet
				checked by				code
approved by		SWNAKSØ-NWHA						
modified by		drawing no.						

© NAKS Inc. All rights reserved, also regarding any disposal, exploitation, editing, distribution, as well as in the event of applications for industrial property rights.



ϕ	10	11	12	13	14	16	18	20	22		
A	10	11	12	13	14	16	18	20	22		
material: inside/outside	304		surface: inside/outside	BA		inch / lb				 NORTH AMERICAN KITCHEN SOLUTIONS INCORPORATED	scale
		revisions-no.				description					format
				date	name	18" Cut Length				US LETTER	
				drawn by						sheet	
				checked by							
				approved by		code					
				modified by		SWNAKSØ-18CL					
						drawing no.					

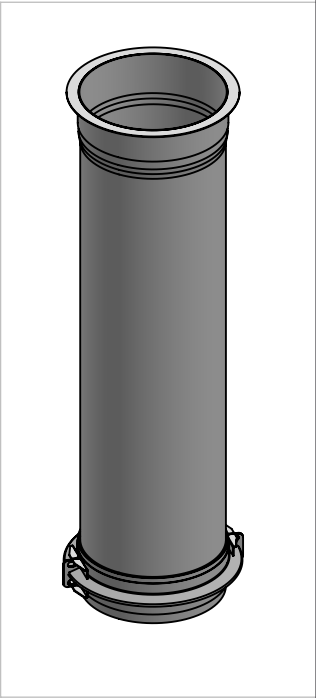
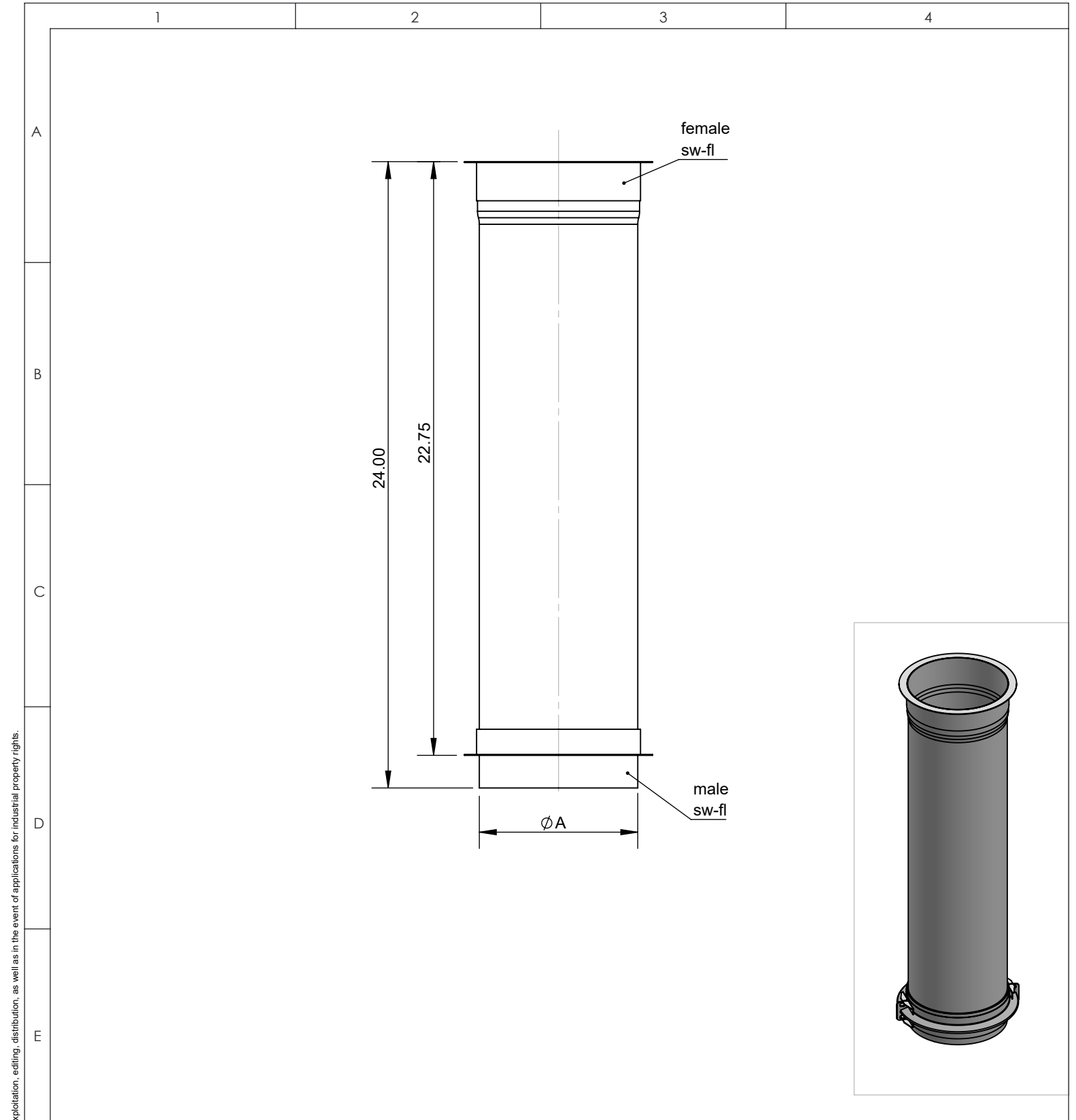
© NAKS Inc. All rights reserved, also regarding any disposal, exploitation, editing, distribution, as well as in the event of applications for industrial property rights.



© NAKS Inc. All rights reserved, also regarding any disposal, exploitation, editing, distribution, as well as in the event of applications for industrial property rights.

Ø		18		20		22		
A		18		20		22		
material: inside/outside		surface: inside/outside		inch / lb				scale
304		BA		revisions-no.				format
				date		name		US LETTER
				drawn by				sheet
				checked by				
				approved by				
				modified by				
				description				
				24" Adjustable Length				
				code				
				SWNAKSØ-24AL				
				drawing no.				





© NAKS Inc. All rights reserved, also regarding any disposal, exploitation, editing, distribution, as well as in the event of applications for industrial property rights.

\emptyset	18	20	22
A	18	20	22

<small>material: inside/outside</small>	304	<small>surface: inside/outside</small>	BA	inch / lb			NORTH AMERICAN KITCHEN SOLUTIONS INCORPORATED	<small>scale</small>
				revisions-no.				<small>format</small>
F				<small>date</small>	<small>name</small>	description 24" Fixed Length <small>code</small> SWNAKSØ-24L <small>drawing no.</small>	US LETTER	
				<small>drawn by</small>			sheet	
				<small>checked by</small>				
				<small>approved by</small>				
			<small>modified by</small>					

1

2

3

4

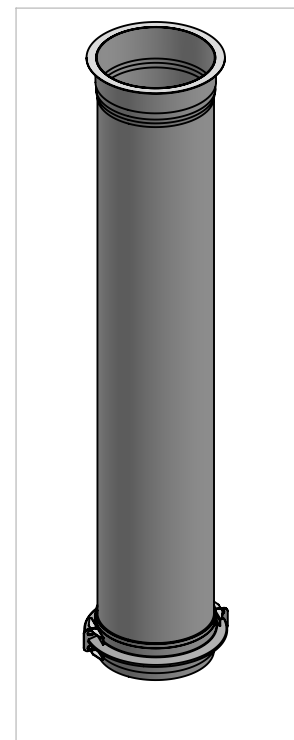
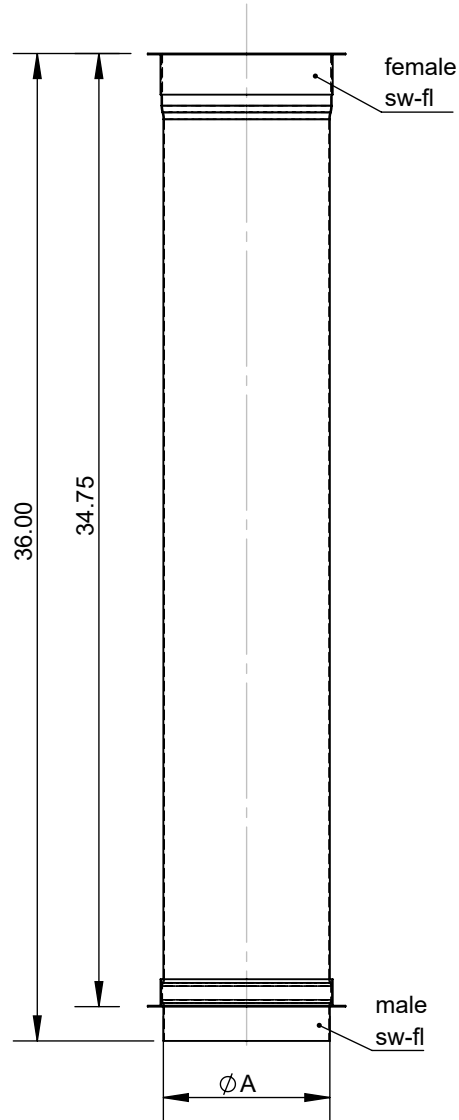
A

B

C

D

E



ϕ

18

20

22

A

18

20

22

material:
inside/outside

304

surface:
inside/outside

BA

inch / lb

revisions-no.



**NORTH AMERICAN
KITCHEN SOLUTIONS**
INCORPORATED

scale

format
US
LETTER

sheet

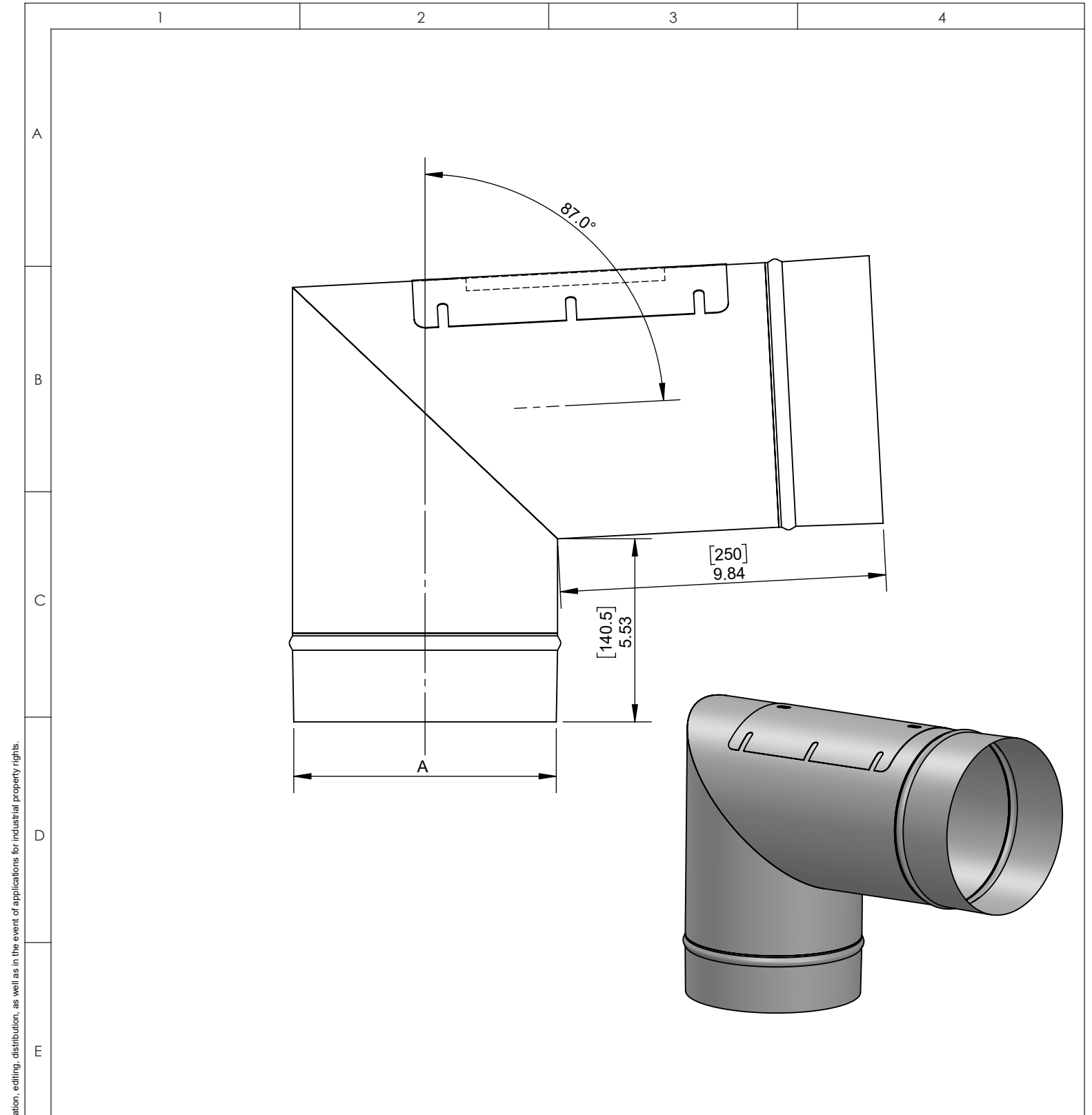
F

	date	name
drawn by		
checked by		
approved by		
modified by		



description	36" Fixed Length
code	SWNAKSØ-36L
drawing no.	



© NAKS Inc. All rights reserved, also regarding any disposal, exploitation, editing, distribution, as well as in the event of applications for industrial property rights.

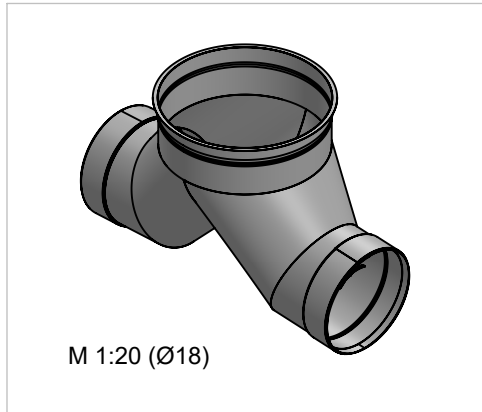
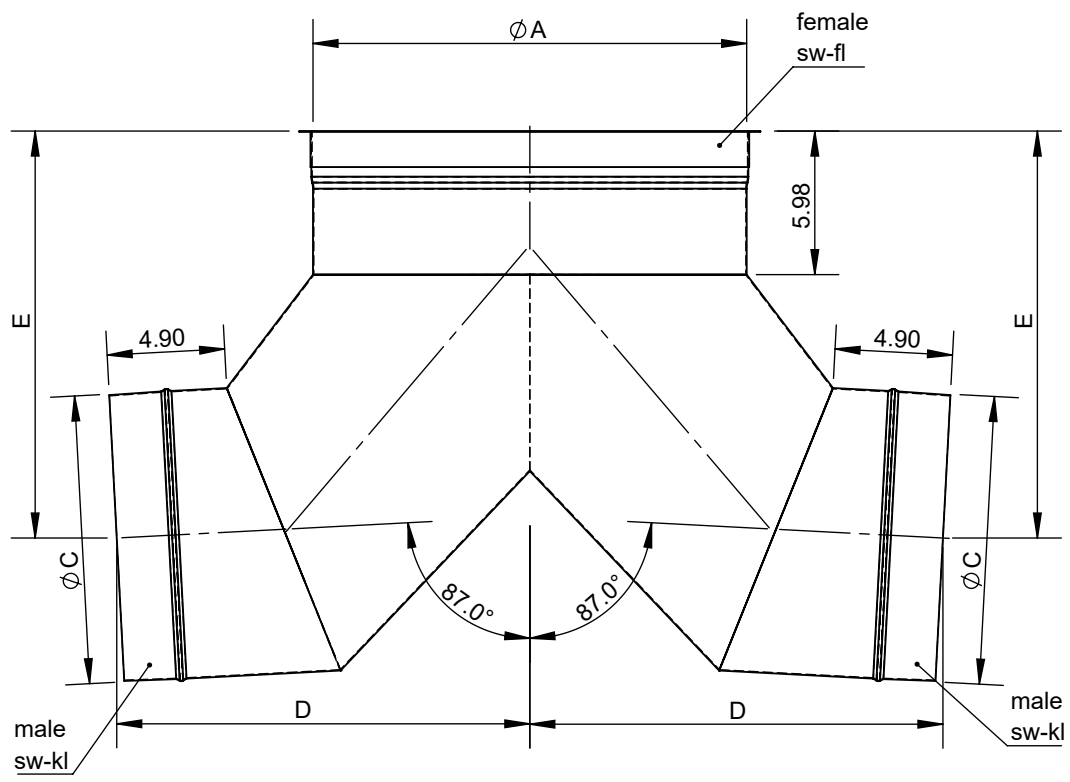


© NAKS Inc. All rights reserved, also regarding any disposal, exploitation, editing, distribution, as well as in the event of applications for industrial property rights.



	Ø	10	11	12	13	14	16	18	20	22		
	A	10	11	12	13	14	16	18	20	22		
F	material: inside/outside	304		surface: inside/outside	BA		inch / lb				scale	
				revisions-no.		 NORTH AMERICAN KITCHEN SOLUTIONS INCORPORATED				format US LETTER		
					date					name	description 87 Degree Elbow w/ Access	
					drawn by			code SWNAKSØ-87EA				
					checked by			drawing no.				
				approved by								
				modified by								

1 2 3 4

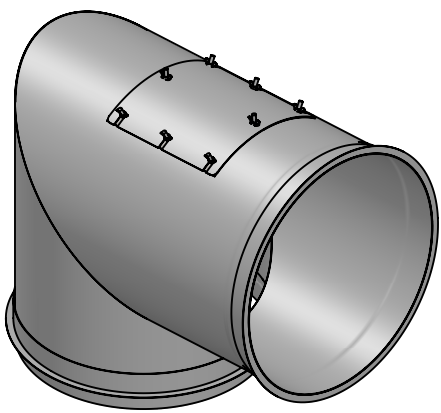
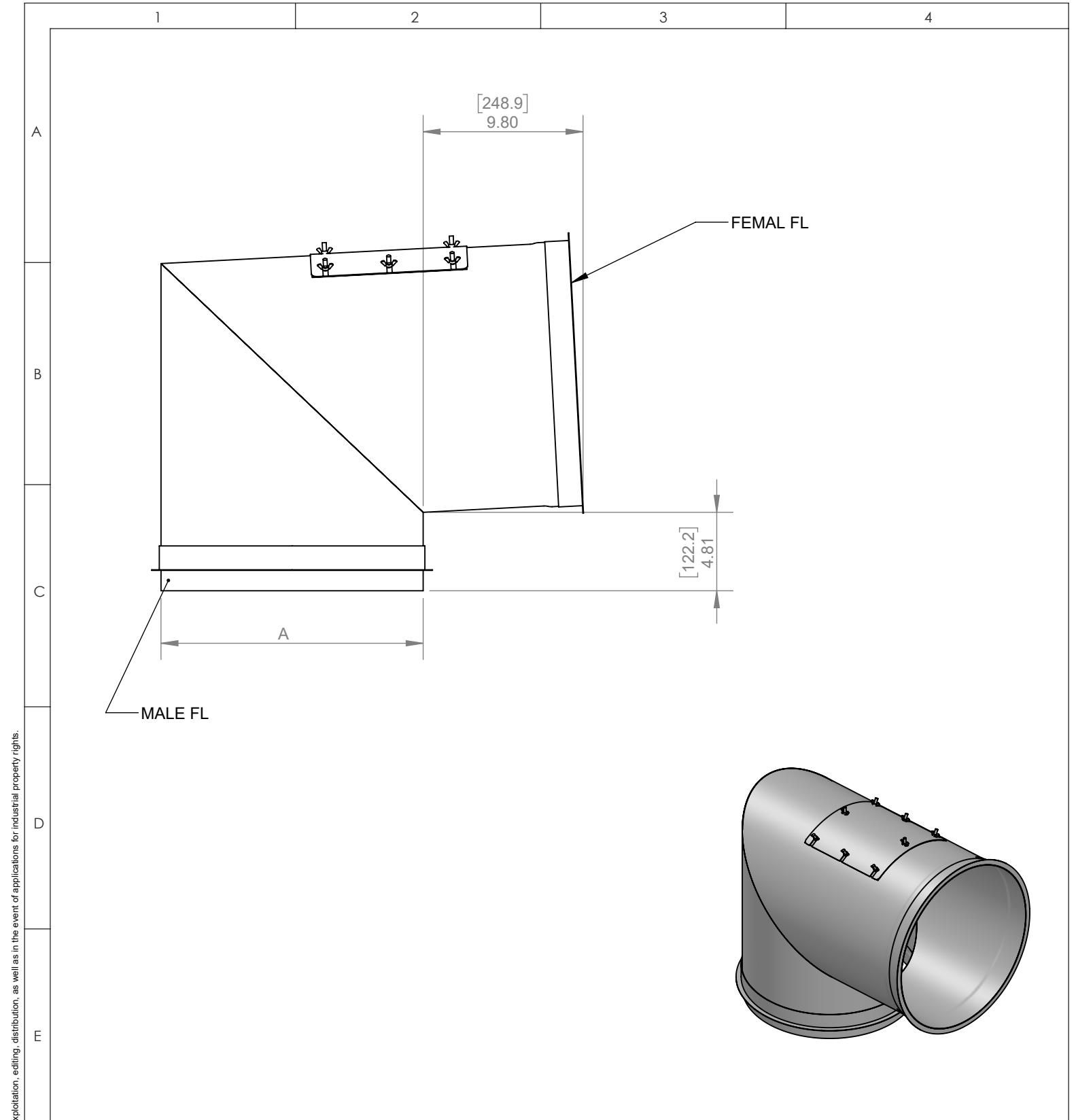
A
B
C
D
E
F



Ø	18	20	22
A	18	20	22
C	12	14	16
D	17.21	18.16	19.11
E	16.96	18.02	19.07
lb	20.9	24.62	28.41

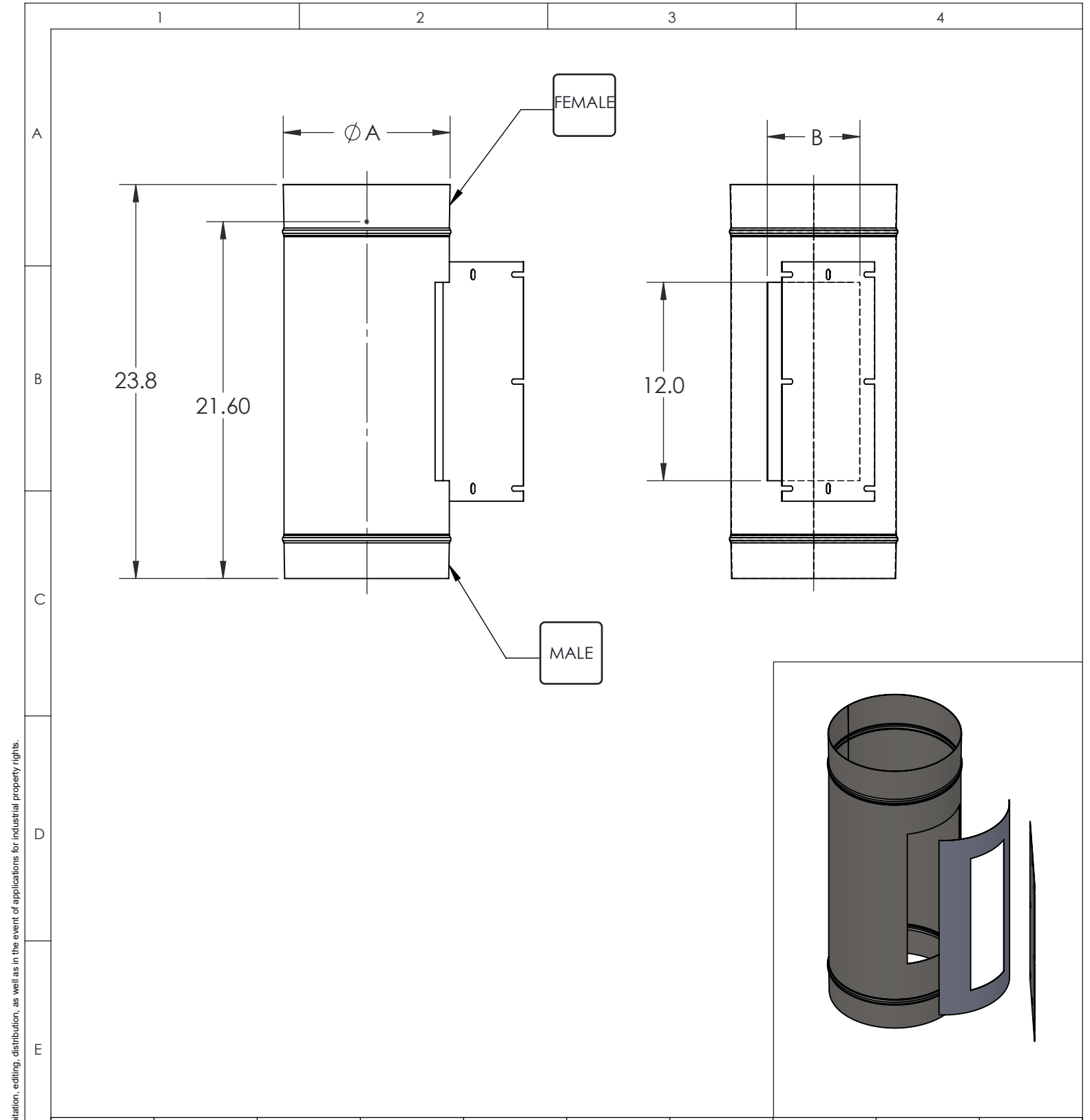
material: inside/outside	surface: inside/outside	inch / lb		 NORTH AMERICAN KITCHEN SOLUTIONS INCORPORATED	scale 1:8	
		revisions-no.			format US LETTER	
		date	name		description	sheet 1 of 1
		drawn by	12/20/2018		DAR	code SWNAKSØ-87BHTØ
		checked by				
approved by			drawing no.			
modified by	3/18/2019	DAR				
UL-no.						

© NAKS Inc. All rights reserved, also regarding any disposal, exploitation, editing, distribution, as well as in the event of applications for industrial property rights.





© NAKS Inc. All rights reserved, also regarding any disposal, exploitation, editing, distribution, as well as in the event of applications for industrial property rights.

Ø		18		20		22			
A		18		20		22			
material: inside/outside		surface: inside/outside		inch / lb				scale	
304		BA		revisions-no.				format	
F				date		name		description	
				drawn by				87 Degree Elbow w/ Access	
				checked by				code	
				approved by				SWNAKSØ-87EA	
		modified by				drawing no.		sheet	



© NAKS Inc. All rights reserved, also regarding any disposal, exploitation, editing, distribution, as well as in the event of applications for industrial property rights.

	Ø	10	11	12	13	14	16	18	20	22	
	A	10	11	12	13	14	16	18	20	22	
F	material: inside/outside	304		surface: inside/outside	BA		inch / lb				scale
				revisions-no.		 NORTH AMERICAN KITCHEN SOLUTIONS INCORPORATED				format	
											sheet
											



NORTH AMERICAN KITCHEN SOLUTIONS
INCORPORATED

description **Inline Access Door**

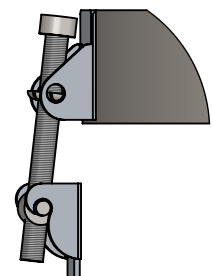
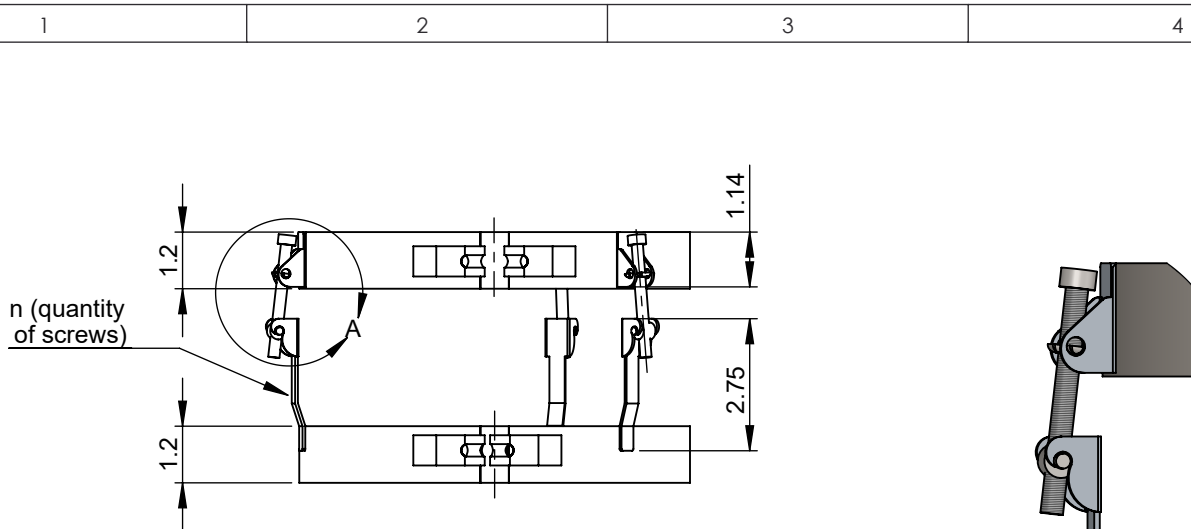
code **SWNAKSØ-IAD**

drawing no.

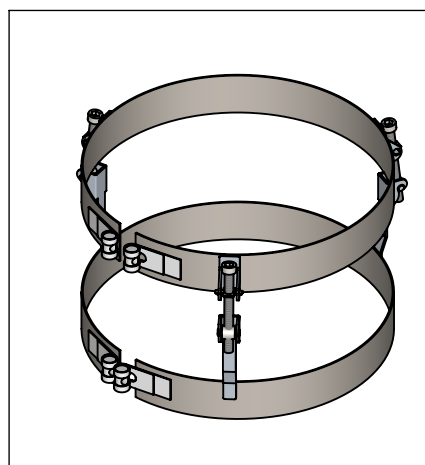
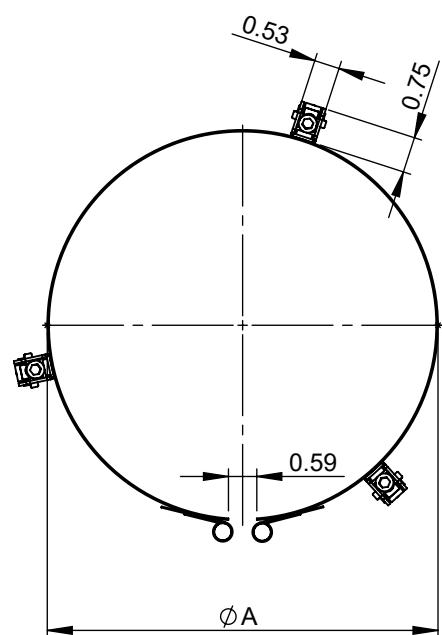
scale
format
US LETTER
sheet





© NAKS Inc. All rights reserved, also regarding any disposal, exploitation, editing, distribution, as well as in the event of applications for industrial property rights.

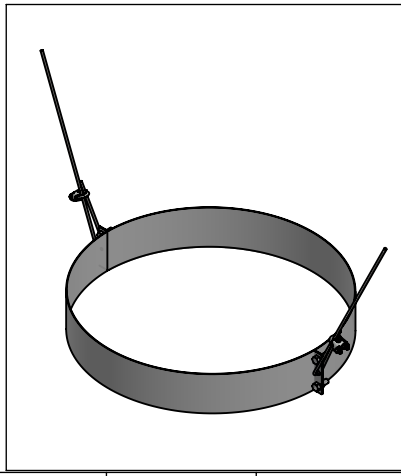
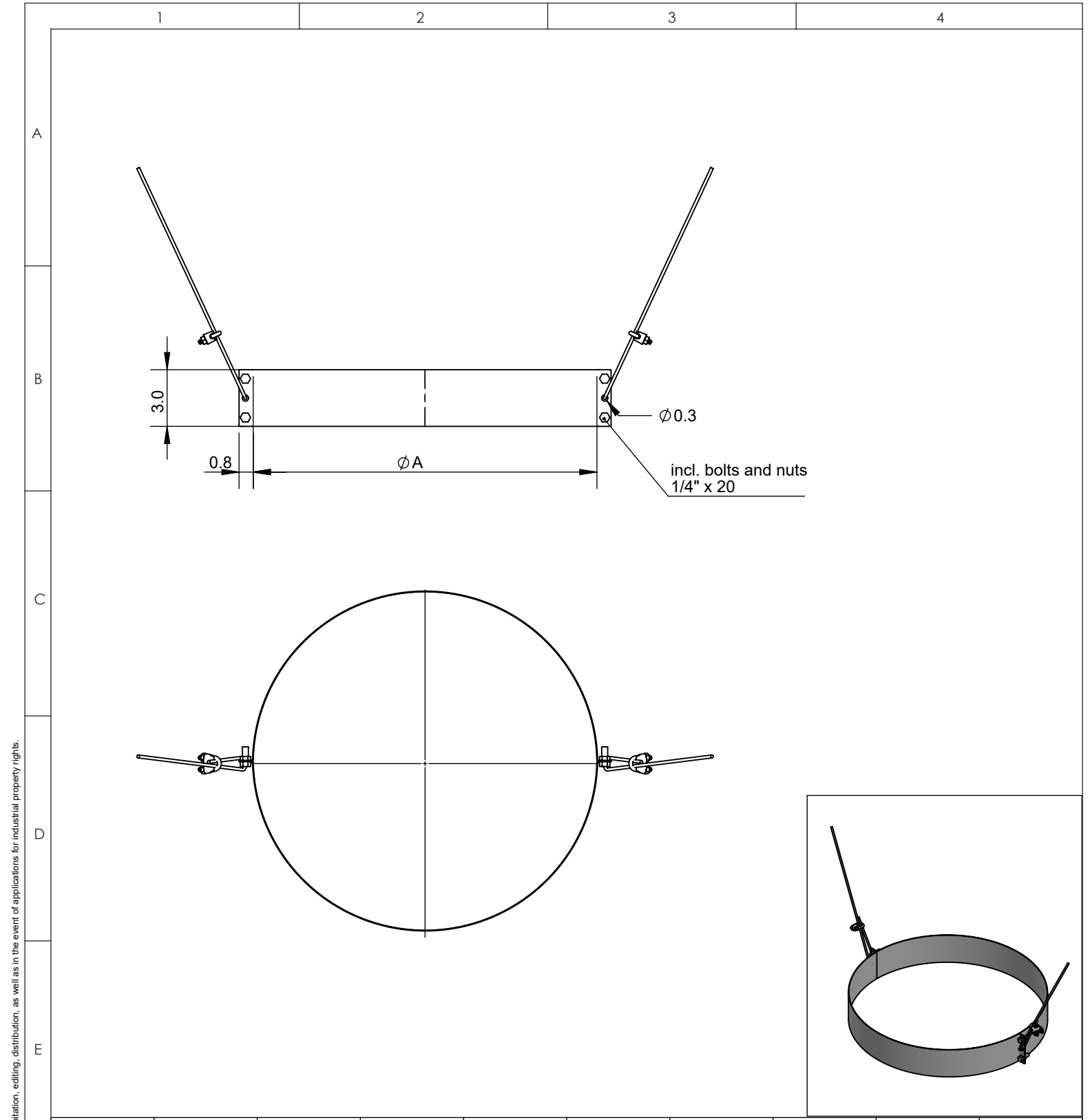


DETAIL A





Ø	10	11	12	13	14	16	18	20	22
A	10	11	12	13	14	16	18	20	22

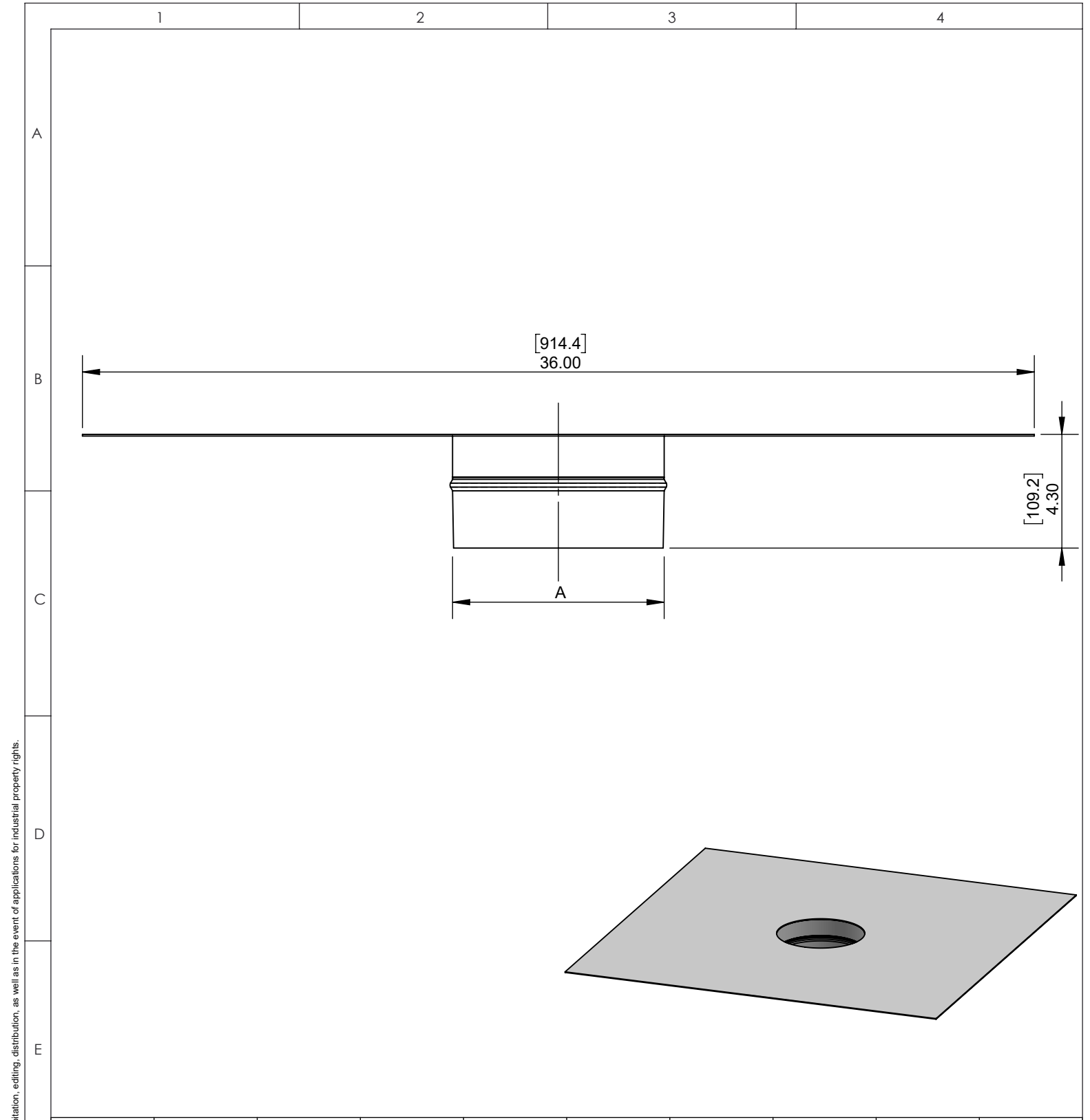
material: inside/outside	304	surface: inside/outside	BA	inch / lb		 NORTH AMERICAN KITCHEN SOLUTIONS INCORPORATED	scale
				revisions-no.	A		format US LETTER
F	description		KL Clamp	date	name	code	sheet
	drawn by				SWNAKSØ-KLC		
	checked by						
	approved by					drawing no.	
modified by							
							




Ø	10	11	12	13	14	16	18	20	22
A	10	11	12	13	14	16	18	20	22

F	material: inside/outside	304	surface: inside/outside	BA	inch / lb		 NORTH AMERICAN KITCHEN SOLUTIONS INCORPORATED	scale
			revisions-no.		A			format
			date	name	description			US LETTER
			drawn by					sheet
			checked by					
		approved by				code		
		modified by				SWNAKSØ-LSB		
				drawing no.				

© NAKS Inc. All rights reserved, also regarding any disposal, exploitation, editing, distribution, as well as in the event of applications for industrial property rights.



© NAKS Inc. All rights reserved, also regarding any disposal, exploitation, editing, distribution, as well as in the event of applications for industrial property rights.

	Ø	10	11	12	13	14	16	18	20	22	
	A	10	11	12	13	14	16	18	20	22	
F	material: inside/outside	304		surface: inside/outside	BA		inch / lb				scale
					revisions-no.				 NORTH AMERICAN KITCHEN SOLUTIONS INCORPORATED	format	
					date	name		description		US LETTER	
					drawn by					Fan Plate Adapter - End 36"x36"	sheet
					checked by						code
				approved by			SWNAKSØ-FPE:36x36				
				modified by			drawing no.	