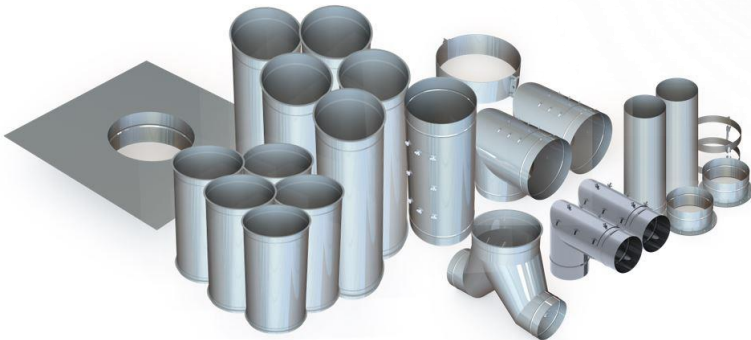


Grease Duct Spec

Model:

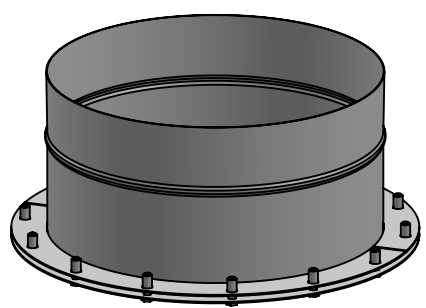
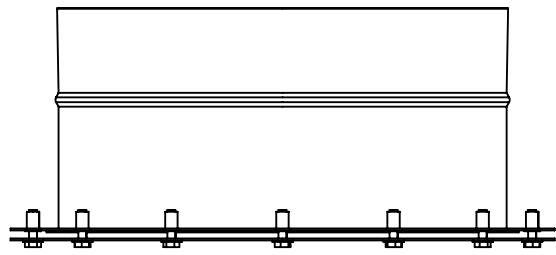
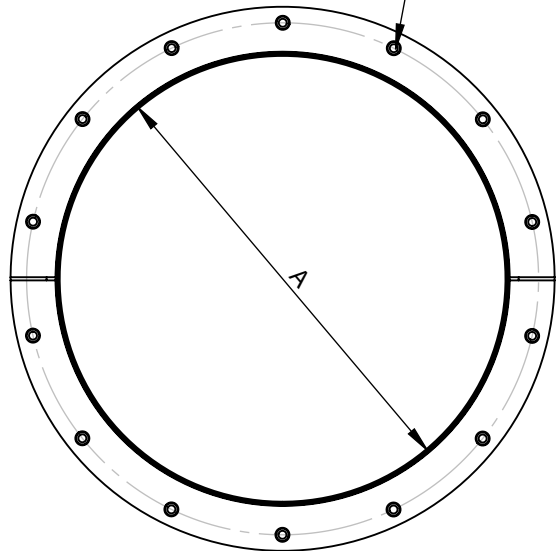
SW-NAKS-KIT020

Single Wall Flanged 22"
with Two Elbows




1 2 3 4

1/4" X 1" BOLTS



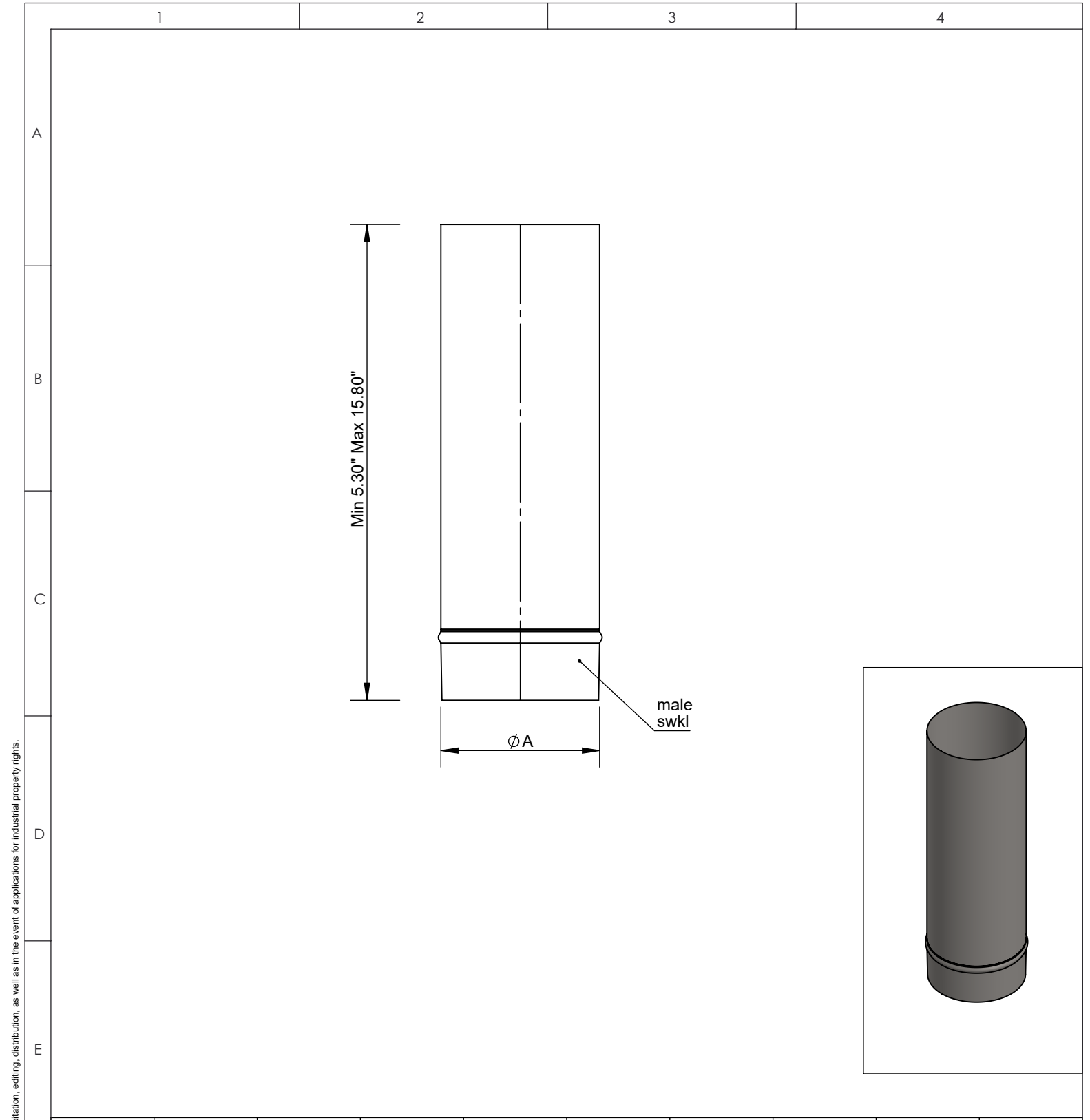
A
B
C
D
E

Ø	10	11	12	13	14	16	18	20	22
A	10	11	12	13	14	16	18	20	22



material: inside/outside	304	surface: inside/outside	BA	inch / lb		 NORTH AMERICAN KITCHEN SOLUTIONS INCORPORATED	scale	
				revisions-no.			format	
				date	name		description	US LETTER
				drawn by			No Weld Hood Adapter	sheet
				checked by			code	
approved by		SWNAKSØ-NWHA						
modified by		drawing no.						



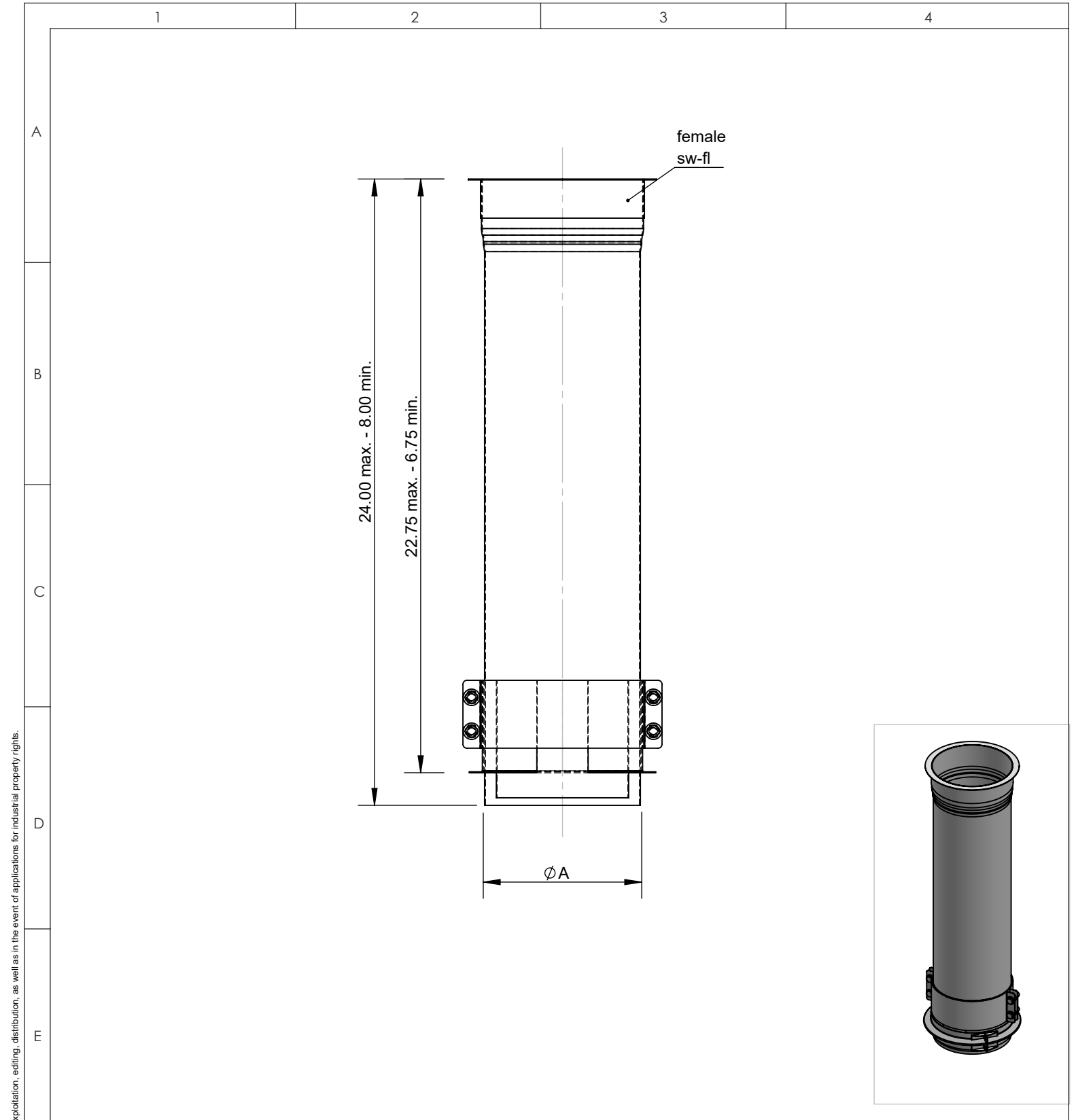
© NAKS Inc. All rights reserved, also regarding any disposal, exploitation, editing, distribution, as well as in the event of applications for industrial property rights.



ϕ	10	11	12	13	14	16	18	20	22
A	10	11	12	13	14	16	18	20	22

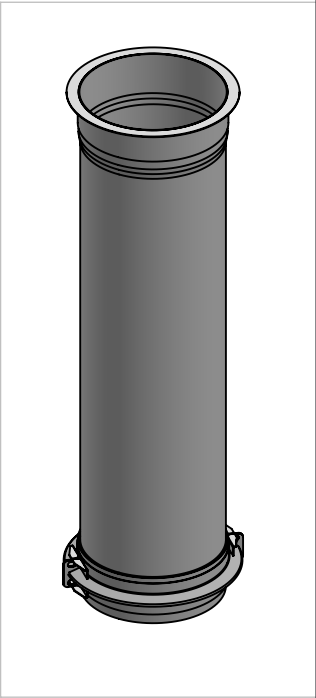
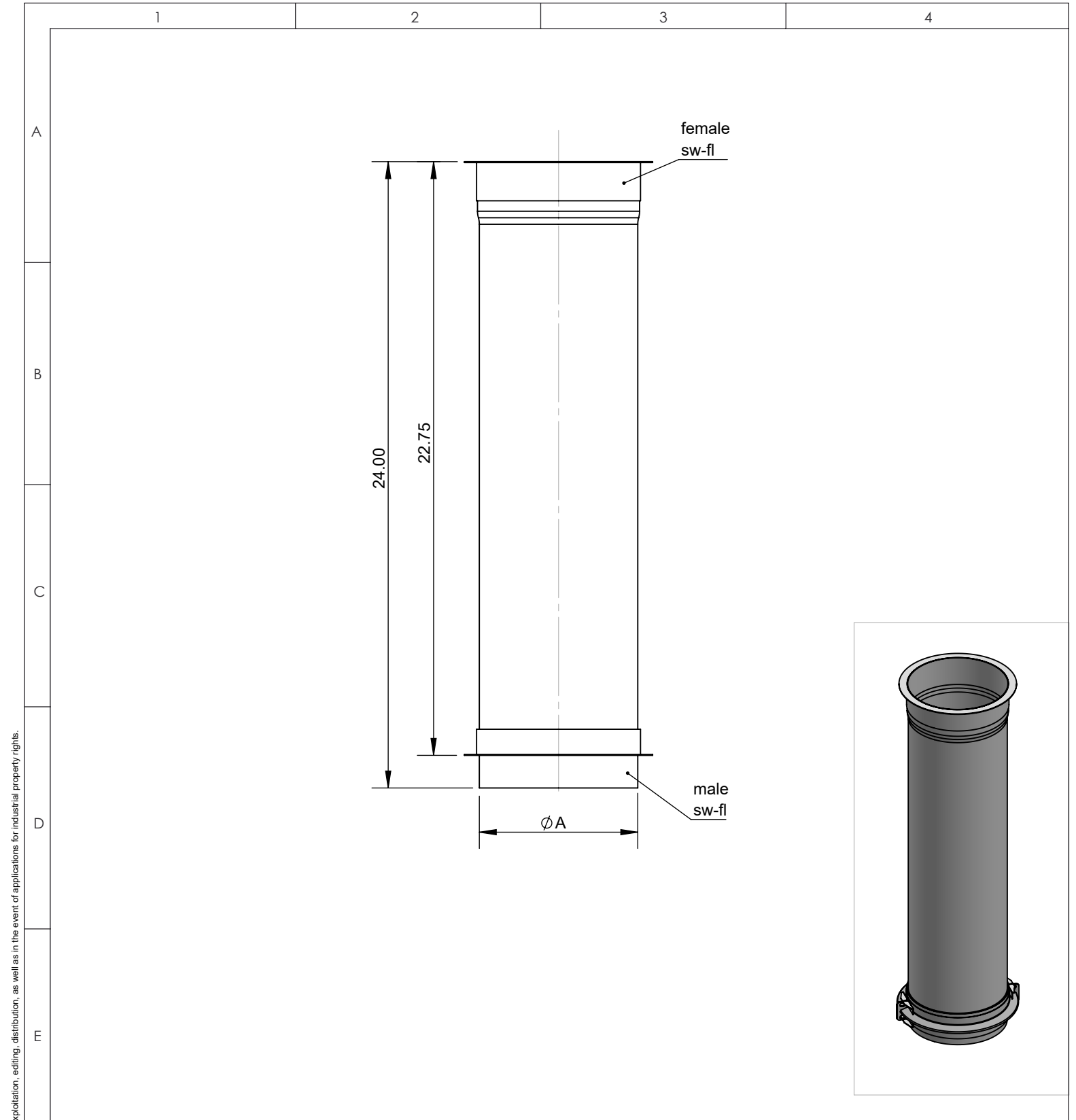
F	material: inside/outside	304	surface: inside/outside	BA	inch / lb				 NORTH AMERICAN KITCHEN SOLUTIONS INCORPORATED	scale
	revisions-no.				description					format
	date				name					US LETTER
	drawn by				code					sheet
	checked by				drawing no.					
approved by				SWNAKSØ-18CL						
modified by										

© NAKS Inc. All rights reserved, also regarding any disposal, exploitation, editing, distribution, as well as in the event of applications for industrial property rights.



© NAKS Inc. All rights reserved, also regarding any disposal, exploitation, editing, distribution, as well as in the event of applications for industrial property rights.

\emptyset		18		20		22			
A		18		20		22			
material: inside/outside		surface: inside/outside		inch / lb				scale	
304		BA		revisions-no.				NORTH AMERICAN KITCHEN SOLUTIONS INCORPORATED	
F		date		name		description		US LETTER	
		drawn by				24" Adjustable Length		sheet	
		checked by				code		SWNAKSØ-24AL	
		approved by				drawing no.			
		modified by							



© NAKS Inc. All rights reserved, also regarding any disposal, exploitation, editing, distribution, as well as in the event of applications for industrial property rights.

\emptyset	18	20	22
A	18	20	22

material: <small>inside/outside</small>	304	surface: <small>inside/outside</small>	BA	inch / lb			NORTH AMERICAN KITCHEN SOLUTIONS <small>INCORPORATED</small>	<small>scale</small>	
				revisions-no.				<small>format</small>	
F				date	name	<small>description</small> 24" Fixed Length	US LETTER		
				<small>drawn by</small>			<small>code</small> SWNAKSØ-24L	<small>sheet</small>	
				<small>checked by</small>				<small>drawing no.</small>	
				<small>approved by</small>					
			<small>modified by</small>						

1

2

3

4

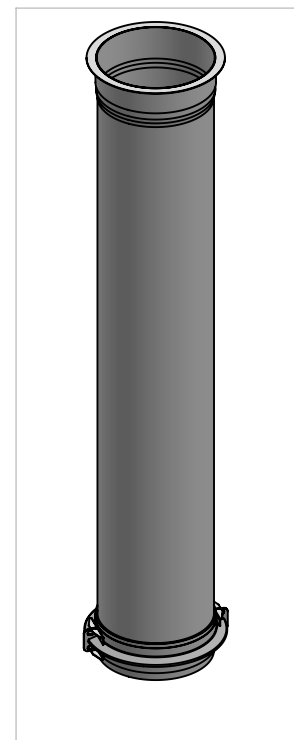
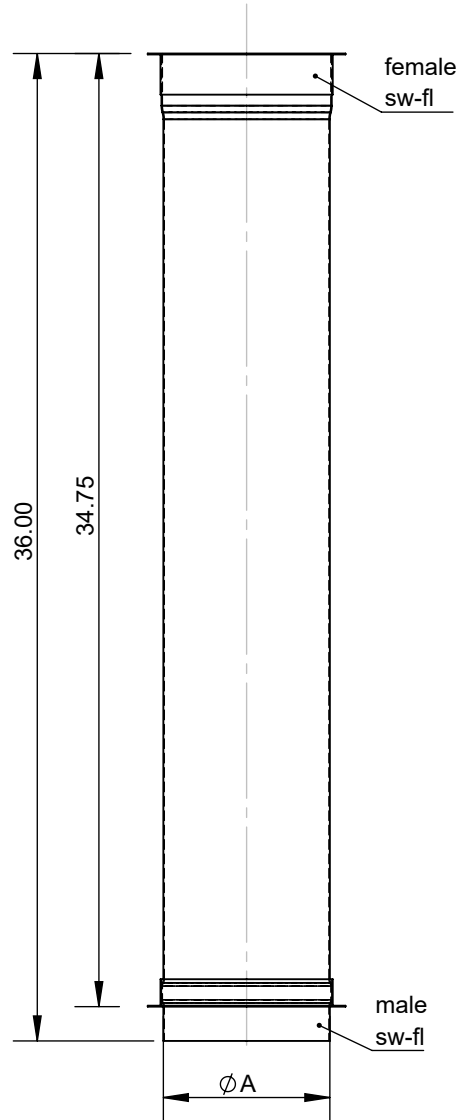
A

B

C

D

E



Ø

18

20

22

A

18

20

22

material:
inside/outside

304

surface:
inside/outside

BA

inch / lb

revisions-no.



**NORTH AMERICAN
KITCHEN SOLUTIONS**
INCORPORATED

scale

format
US
LETTER

sheet

F

	date	name
drawn by		
checked by		
approved by		
modified by		

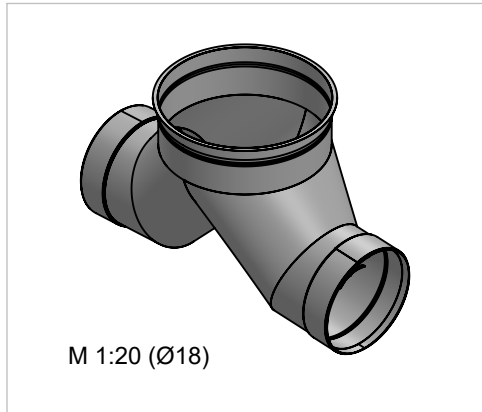
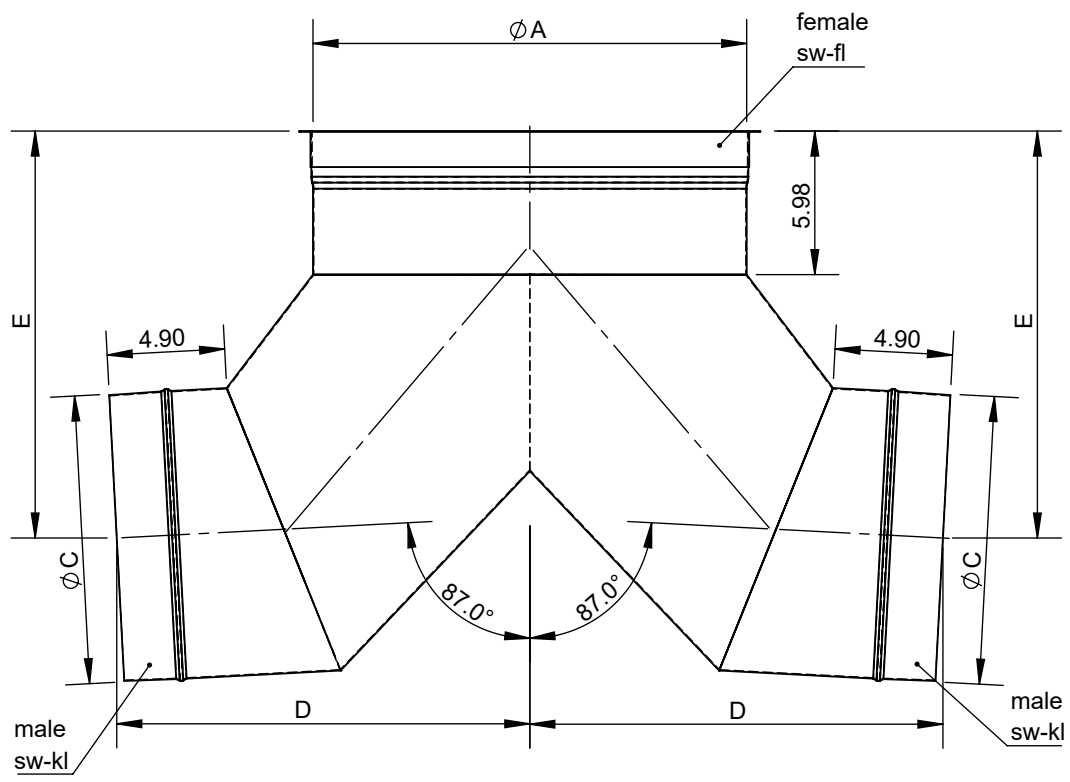
description	36" Fixed Length
code	SWNAKSØ-36L
drawing no.	





© NAKS Inc. All rights reserved, also regarding any disposal, exploitation, editing, distribution, as well as in the event of applications for industrial property rights.

1 2 3 4

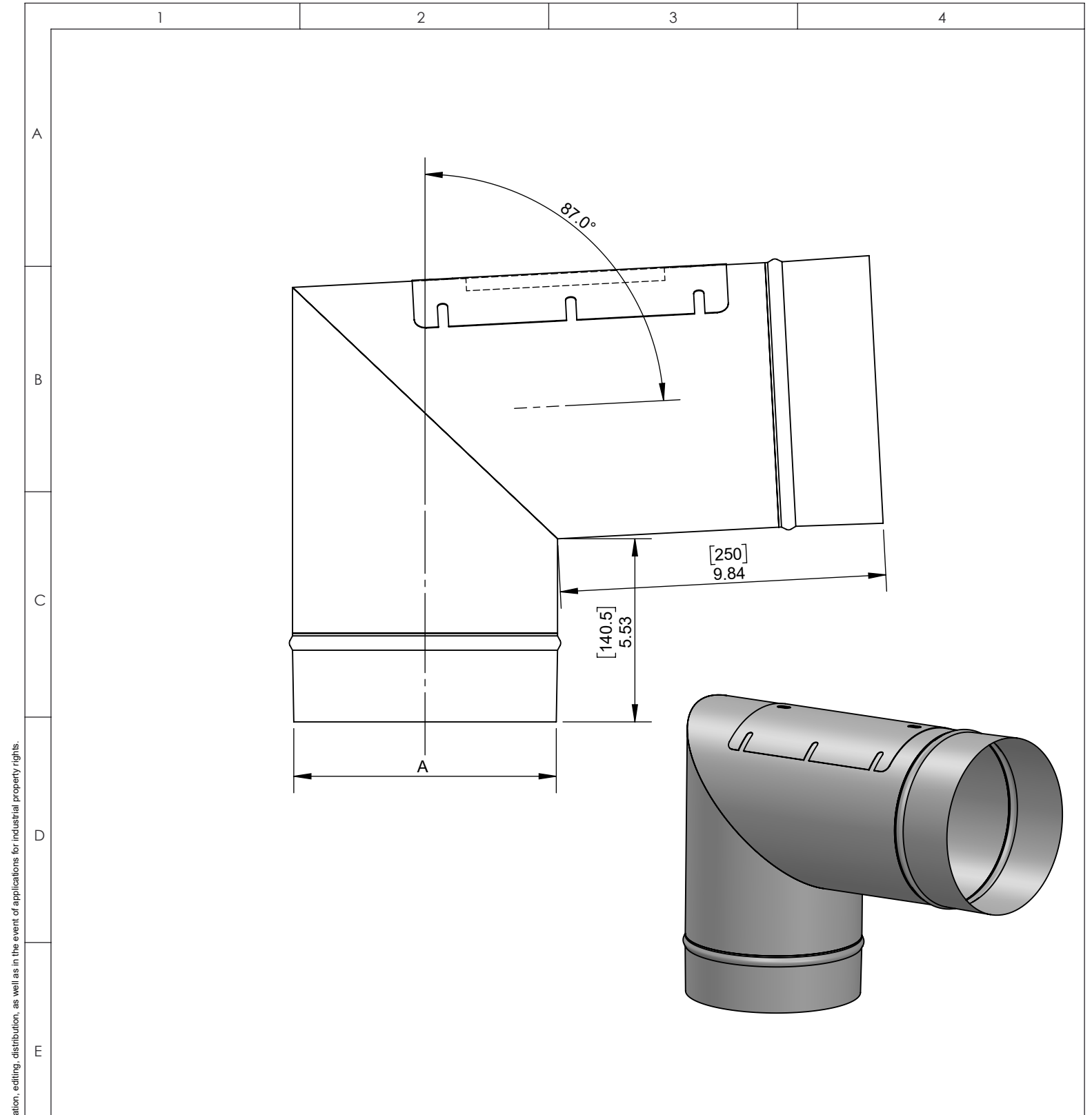
A
B
C
D
E
F




Ø	18	20	22
A	18	20	22
C	12	14	16
D	17.21	18.16	19.11
E	16.96	18.02	19.07
lb	20.9	24.62	28.41

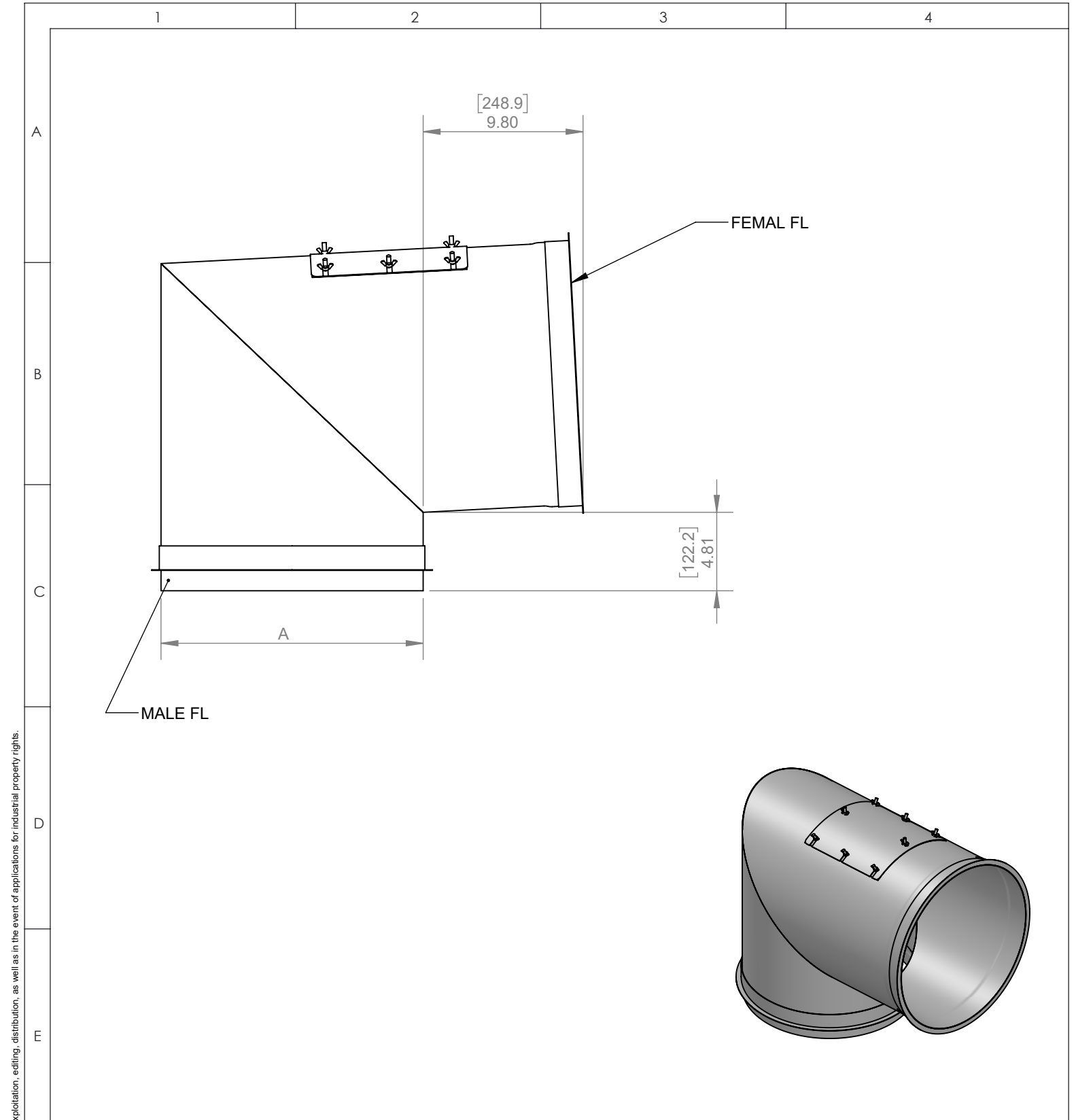
material: inside/outside	surface: inside/outside	inch / lb			 NORTH AMERICAN KITCHEN SOLUTIONS INCORPORATED	scale 1:8
		revisions-no.				description 87° Bull Head Tee
F	date		name	code SWNAKSØ-87BHTØ	drawing no.	sheet 1 of 1
	drawn by	12/20/2018	DAR			
	checked by					
	approved by					
UL-no.	modified by	3/18/2019	DAR			

© NAKS Inc. All rights reserved, also regarding any disposal, exploitation, editing, distribution, as well as in the event of applications for industrial property rights.



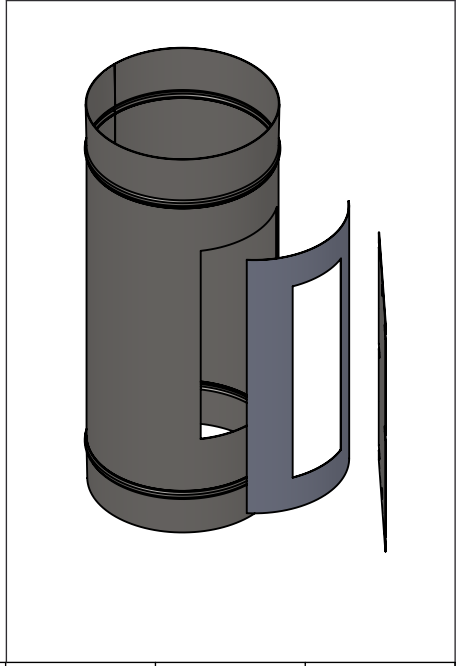
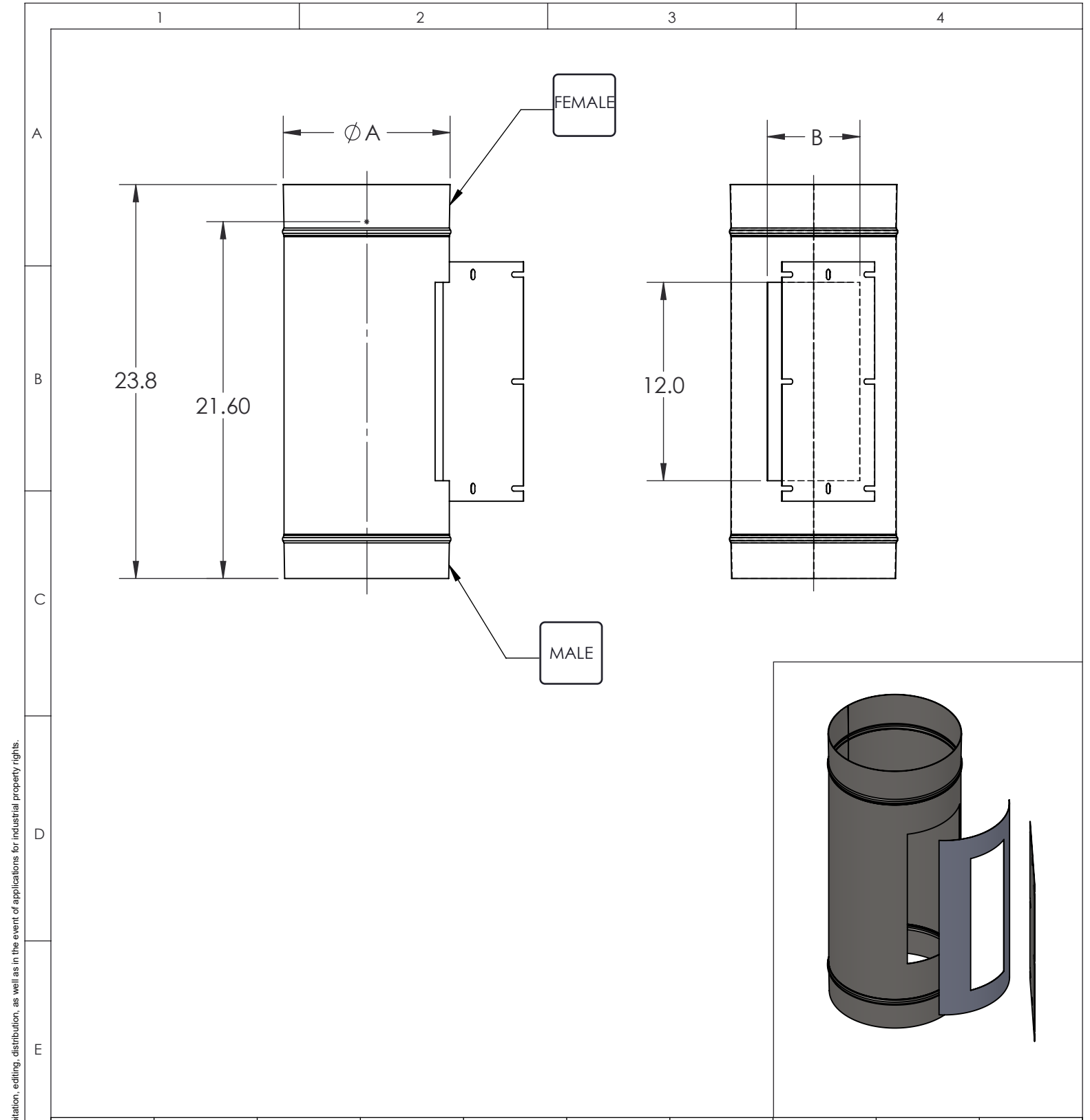
© NAKS Inc. All rights reserved, also regarding any disposal, exploitation, editing, distribution, as well as in the event of applications for industrial property rights.

	Ø	10	11	12	13	14	16	18	20	22			
	A	10	11	12	13	14	16	18	20	22			
F	material: inside/outside	304		surface: inside/outside	BA		inch / lb				scale		
				revisions-no.		 NORTH AMERICAN KITCHEN SOLUTIONS INCORPORATED				format			
				date	name					description			
				drawn by			code				sheet		
				checked by							SWNAKSØ-87EA		
			approved by			drawing no.							
			modified by										





© NAKS Inc. All rights reserved, also regarding any disposal, exploitation, editing, distribution, as well as in the event of applications for industrial property rights.

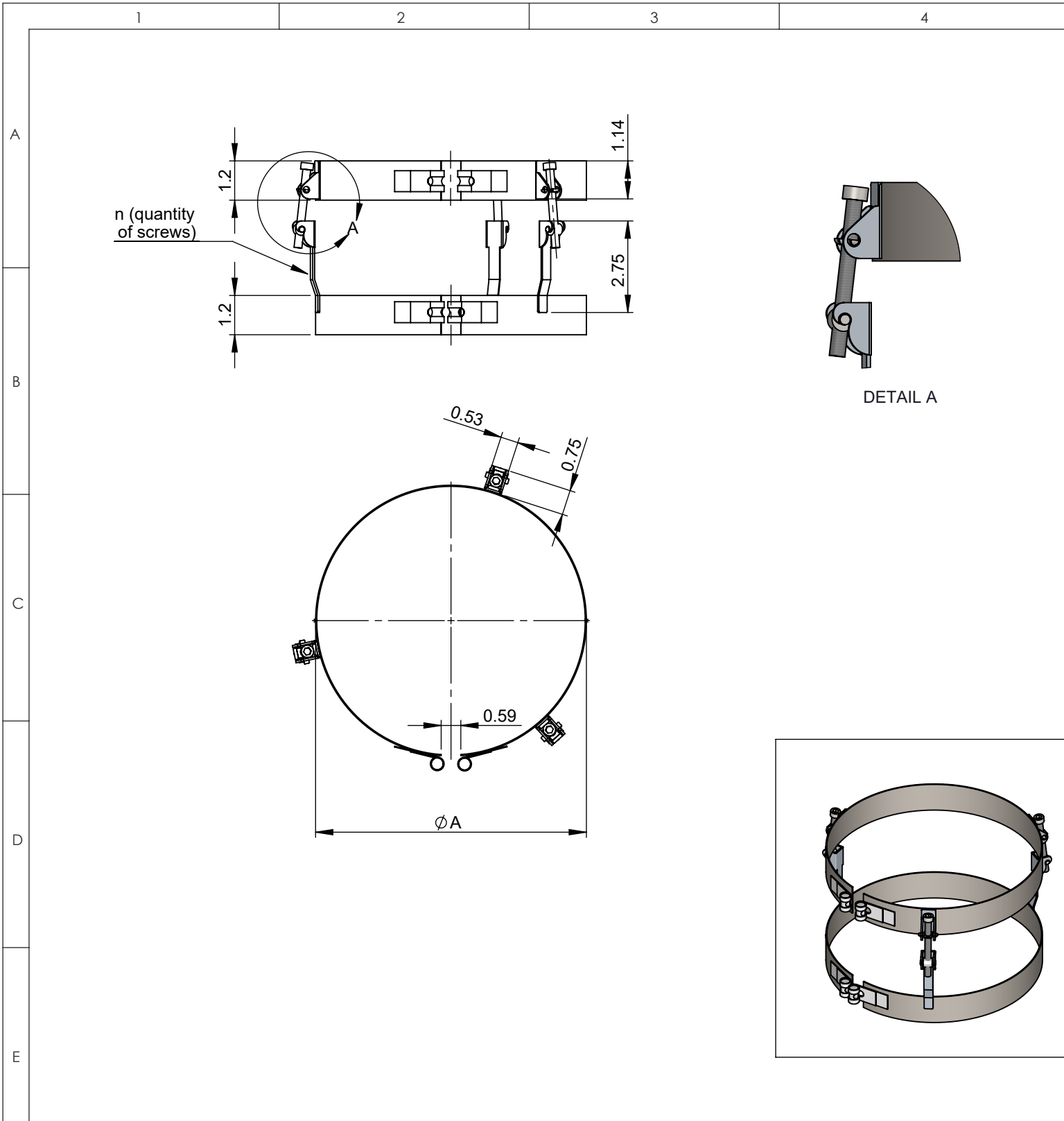
Ø		18		20		22	
A		18		20		22	
material: inside/outside		surface: inside/outside		inch / lb		scale	
304		BA		revisions-no.		NORTH AMERICAN naKS KITCHEN SOLUTIONS INCORPORATED	
		date		name		description 87 Degree Elbow w/ Access	
		drawn by				format US LETTER	
		checked by				sheet	
		approved by				code SWNAKSØ-87EA	
		modified by				drawing no.	



© NAKS Inc. All rights reserved, also regarding any disposal, exploitation, editing, distribution, as well as in the event of applications for industrial property rights.

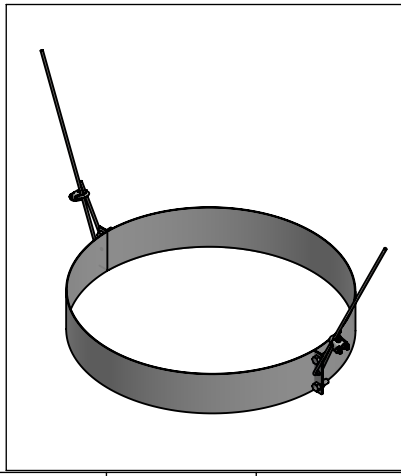
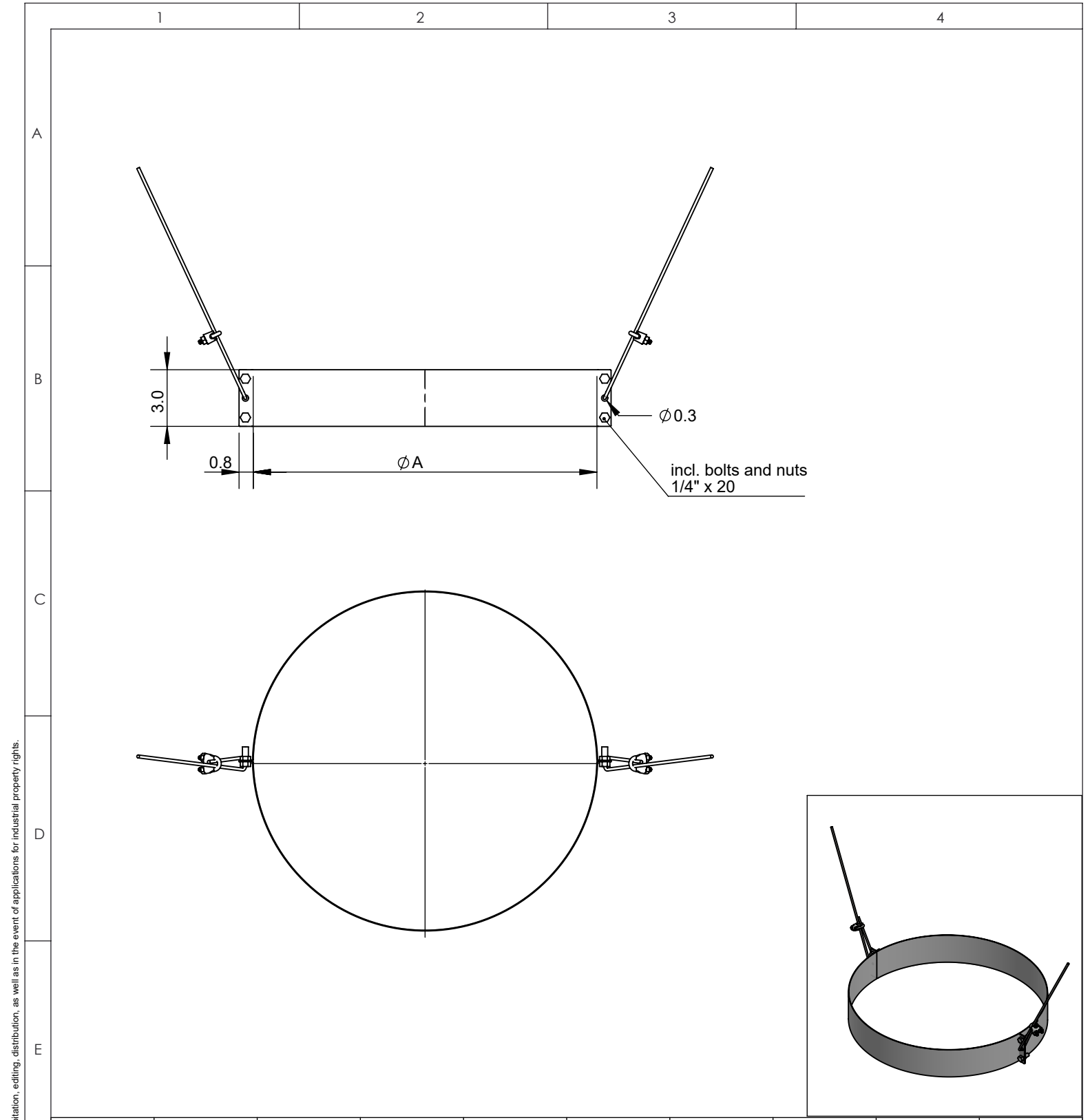
ϕ	10	11	12	13	14	16	18	20	22				
A	10	11	12	13	14	16	18	20	22				
material: inside/outside	304		surface: inside/outside	BA		inch / lb				scale			
				revisions-no.				 NORTH AMERICAN KITCHEN SOLUTIONS INCORPORATED	format				
				date	name	description				US LETTER			
				drawn by		code				sheet			
				checked by						SWNAKSØ-IAD			
				approved by									
				modified by									

© NAKS Inc. All rights reserved, also regarding any disposal, exploitation, editing, distribution, as well as in the event of applications for industrial property rights.





	Ø	10	11	12	13	14	16	18	20	22	
	A	10	11	12	13	14	16	18	20	22	
F	material: inside/outside	304		surface: inside/outside	BA		inch / lb				scale
							revisions-no. A				
					date	name	description KL Clamp				sheet
					drawn by						
					checked by						
				approved by		code SWNAKSØ-KLC				drawing no.	
				modified by							

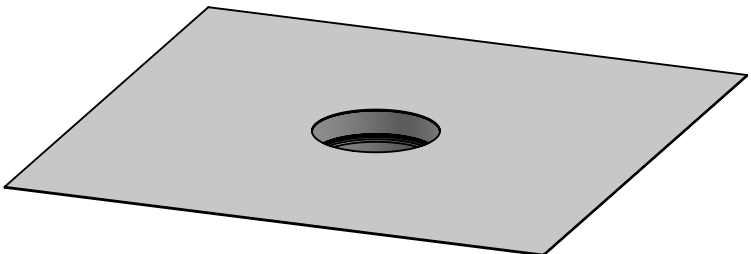
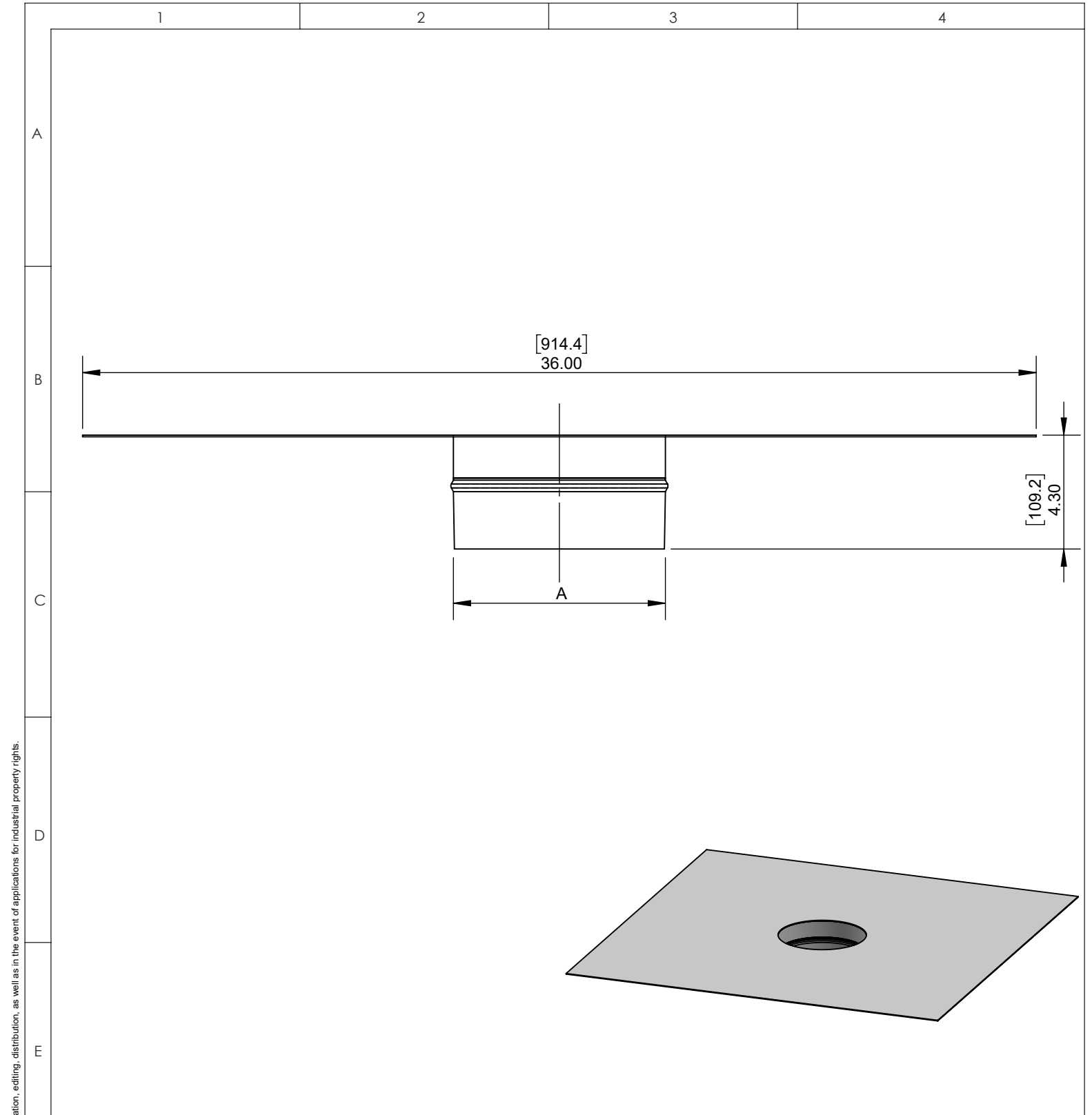






Ø	10	11	12	13	14	16	18	20	22
A	10	11	12	13	14	16	18	20	22

F	material: inside/outside	304	surface: inside/outside	BA	inch / lb		 NORTH AMERICAN KITCHEN SOLUTIONS INCORPORATED	scale
			revisions-no.		A			format
			date	name	description			US LETTER
			drawn by					sheet
			checked by					
		approved by				code		
		modified by				SWNAKSØ-LSB		
				drawing no.				

© NAKS Inc. All rights reserved, also regarding any disposal, exploitation, editing, distribution, as well as in the event of applications for industrial property rights.



Ø	10	11	12	13	14	16	18	20	22
A	10	11	12	13	14	16	18	20	22

F	material: inside/outside	304	surface: inside/outside	BA	inch / lb				 NORTH AMERICAN KITCHEN SOLUTIONS INCORPORATED	scale
	revisions-no.									format
					date	name		description		US LETTER
					drawn by					sheet
					checked by					code
				approved by			SWNAKSØ-FPE:36x36			
				modified by			drawing no.			

© NAKS Inc. All rights reserved, also regarding any disposal, exploitation, editing, distribution, as well as in the event of applications for industrial property rights.