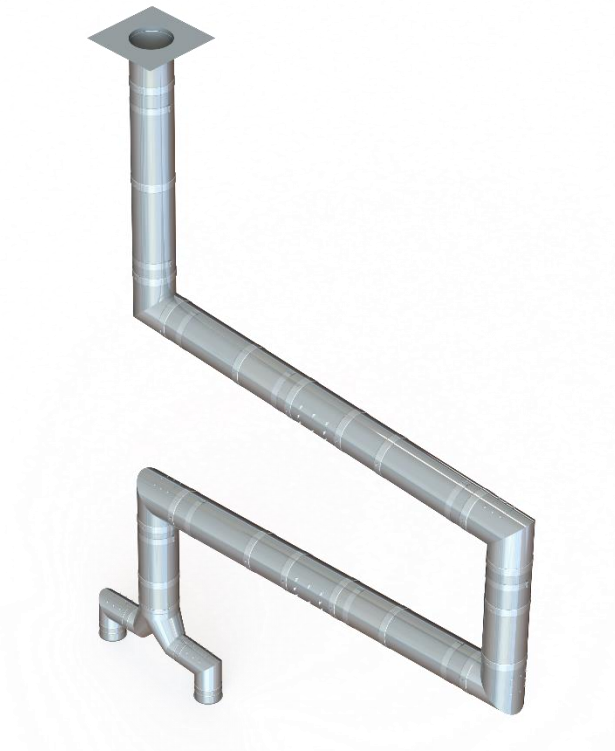
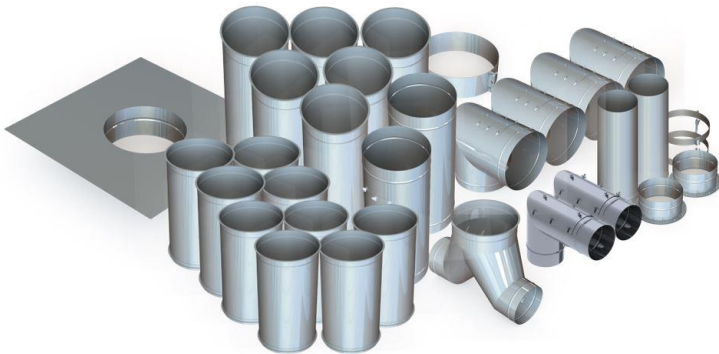


Grease Duct Spec

Model:

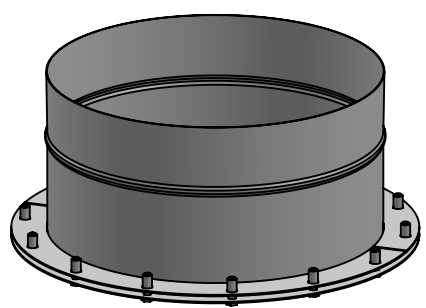
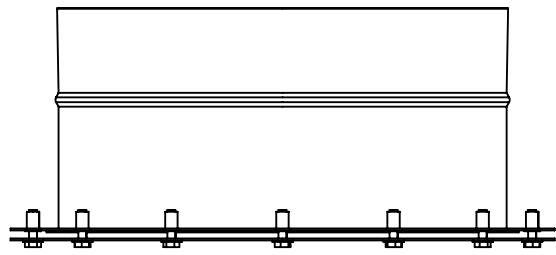
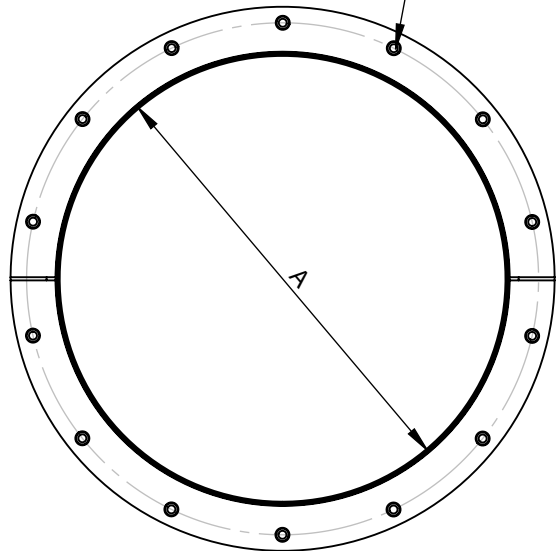
SW-NAKS-KIT021

**Single Wall Flanged 22"
with Four Elbows**





1 2 3 4

1/4" X 1" BOLTS

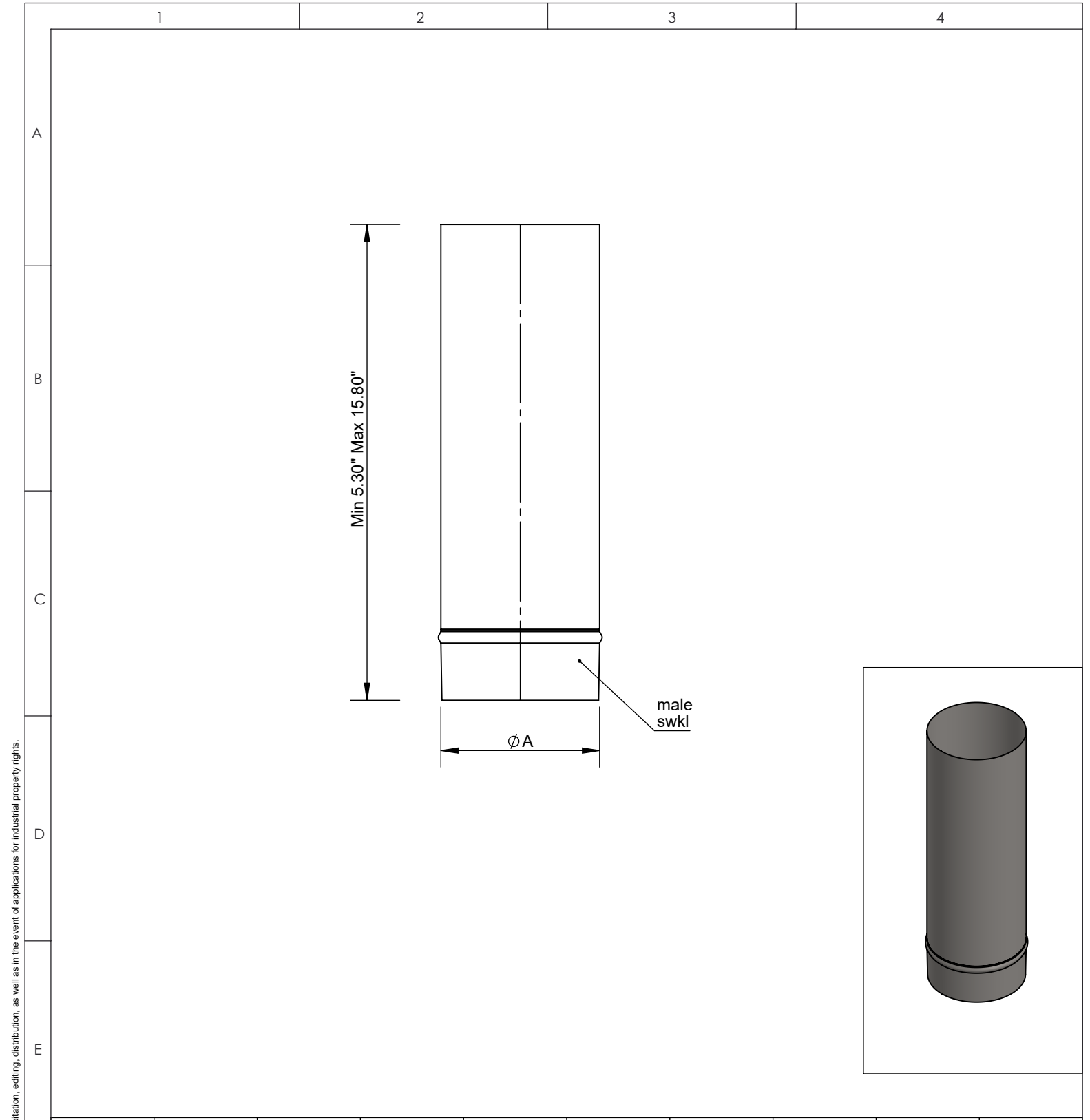


A
B
C
D
E



Ø	10	11	12	13	14	16	18	20	22
A	10	11	12	13	14	16	18	20	22

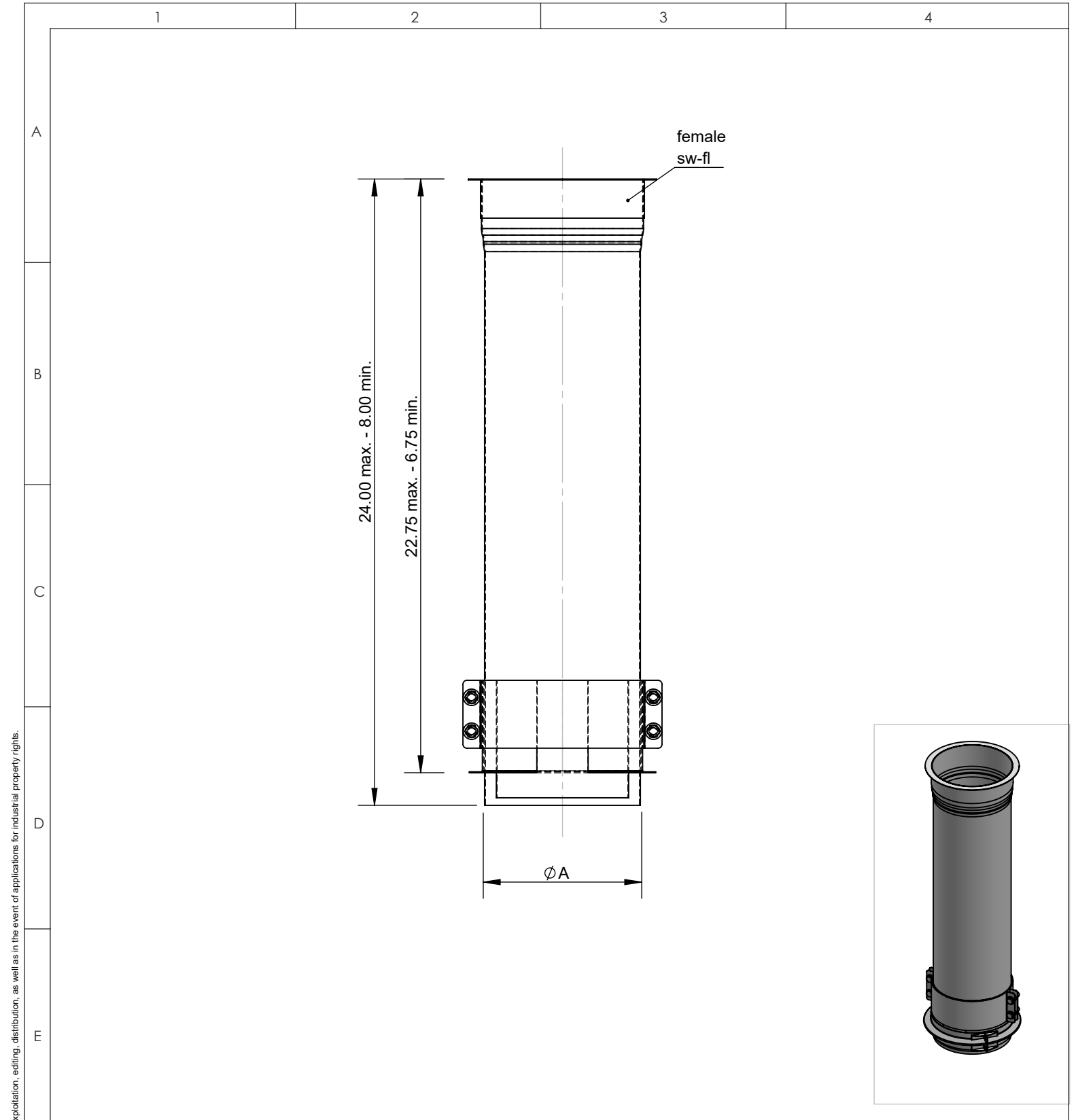
material: inside/outside	304	surface: inside/outside	BA	inch / lb		 NORTH AMERICAN KITCHEN SOLUTIONS INCORPORATED	scale
				revisions-no.			format US LETTER
F				date	name	description No Weld Hood Adapter	sheet
				drawn by			code SWNAKSØ-NWHA
				checked by			
				approved by			
			modified by		drawing no.		

© NAKS Inc. All rights reserved, also regarding any disposal, exploitation, editing, distribution, as well as in the event of applications for industrial property rights.



© NAKS Inc. All rights reserved, also regarding any disposal, exploitation, editing, distribution, as well as in the event of applications for industrial property rights.

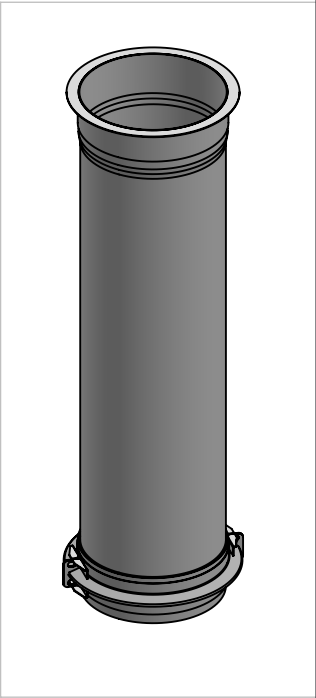
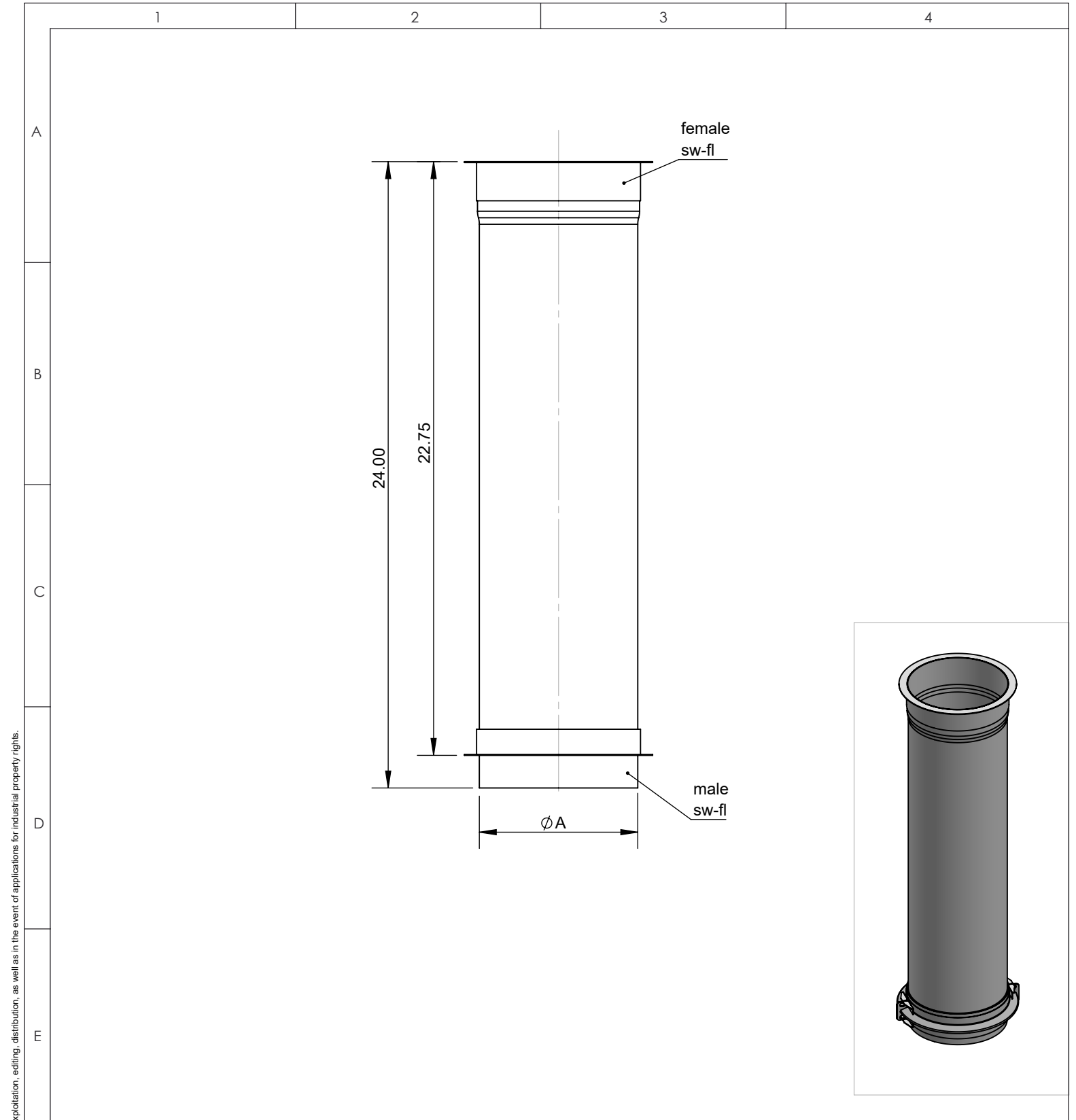
	Ø	10	11	12	13	14	16	18	20	22	
	A	10	11	12	13	14	16	18	20	22	
F	material: inside/outside		surface: inside/outside		inch / lb		 NORTH AMERICAN KITCHEN SOLUTIONS INCORPORATED				scale
	304		BA		revisions-no.						format US LETTER
				date	name	description				sheet	
			drawn by			18" Cut Length					
			checked by			code					
		approved by			SWNAKSØ-18CL						
		modified by			drawing no.						
											



© NAKS Inc. All rights reserved, also regarding any disposal, exploitation, editing, distribution, as well as in the event of applications for industrial property rights.



\emptyset		18		20		22		
A		18		20		22		
material: inside/outside		surface: inside/outside		inch / lb				scale
304		BA		revisions-no.				format
				date		name		description 24" Adjustable Length
				drawn by				
				checked by				
				approved by				
				modified by				code
						SWNAKSØ-24AL		sheet
						drawing no.		

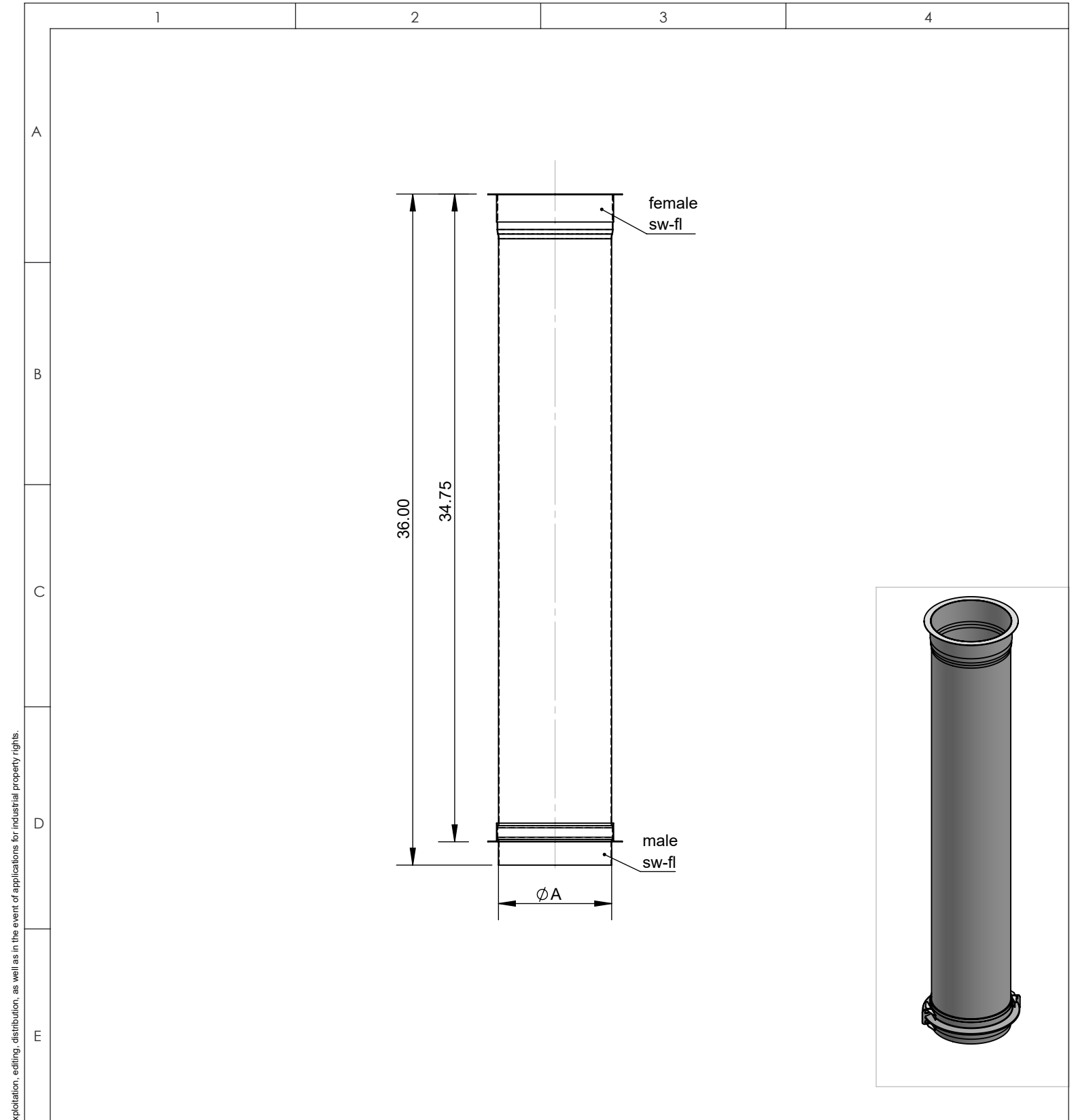




© NAKS Inc. All rights reserved, also regarding any disposal, exploitation, editing, distribution, as well as in the event of applications for industrial property rights.

\emptyset	18	20	22
A	18	20	22

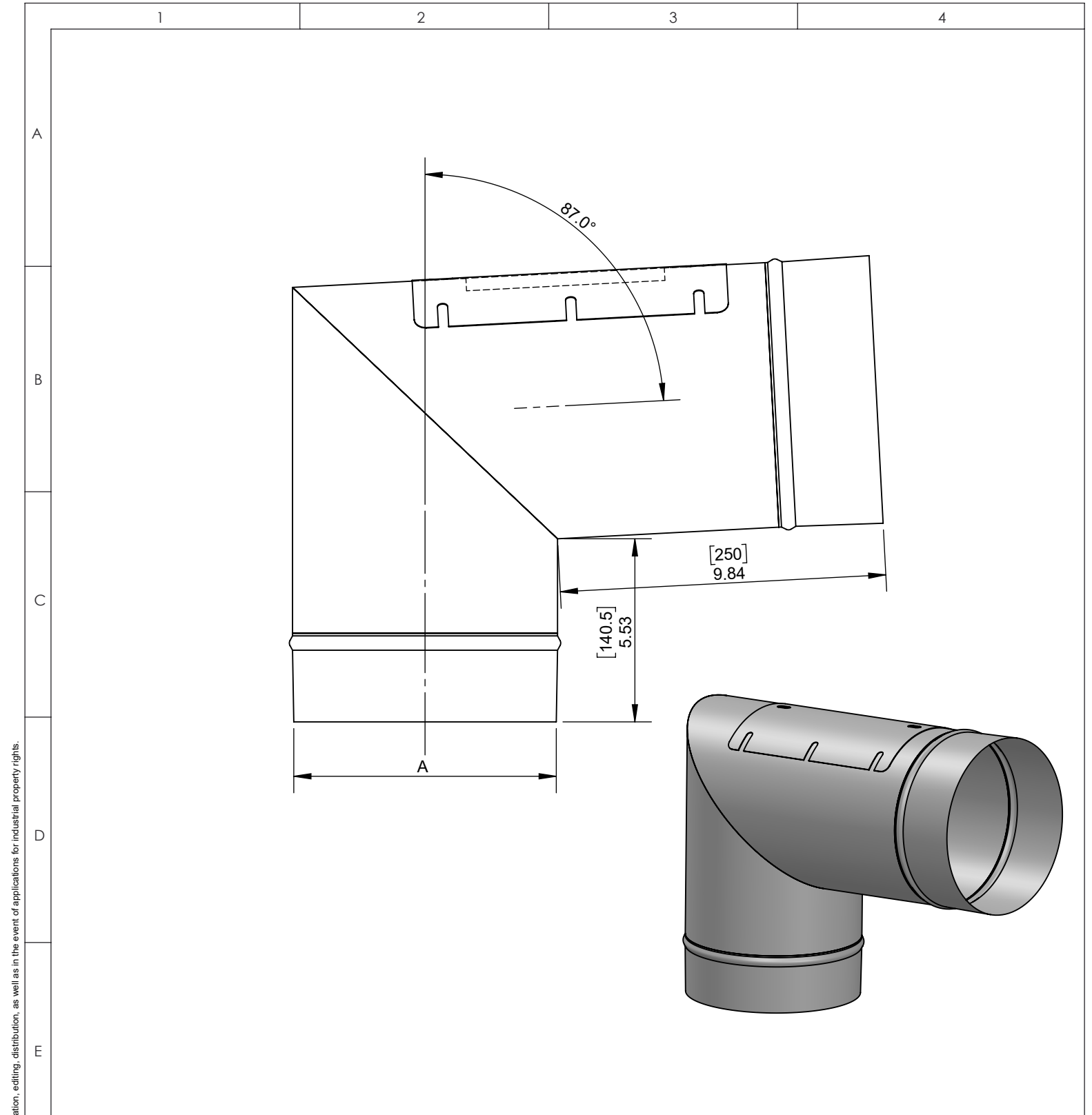
F	material: <small>inside/outside</small>	304	surface: <small>inside/outside</small>	BA	inch / lb			 NORTH AMERICAN KITCHEN SOLUTIONS <small>INCORPORATED</small>	scale	
					revisions-no.				format	
					date	name	description 24" Fixed Length		US LETTER	
					drawn by				code	sheet
					checked by				SWNAKSØ-24L	
				approved by		drawing no.				
				modified by						





© NAKS Inc. All rights reserved, also regarding any disposal, exploitation, editing, distribution, as well as in the event of applications for industrial property rights.

\emptyset	18	20	22
A	18	20	22
material: inside/outside	surface: inside/outside	inch / lb	
304	BA	revisions-no.	
		date	name
		drawn by	
		checked by	
		approved by	
		modified by	
		description	36" Fixed Length
		code	SWNAKSØ-36L
		drawing no.	
			scale
			format
			US LETTER
			sheet



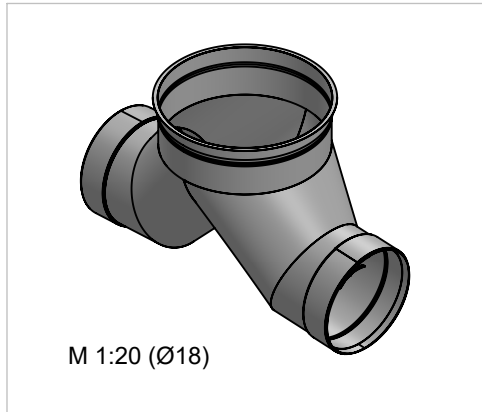
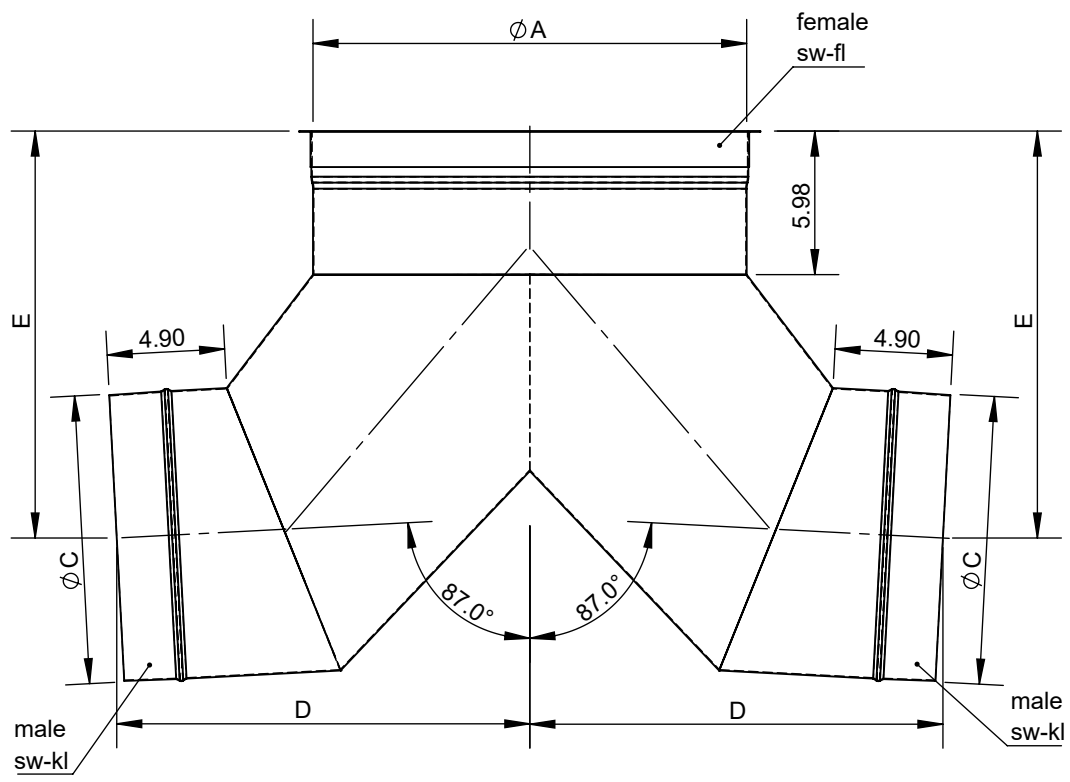


© NAKS Inc. All rights reserved, also regarding any disposal, exploitation, editing, distribution, as well as in the event of applications for industrial property rights.



	Ø	10	11	12	13	14	16	18	20	22		
	A	10	11	12	13	14	16	18	20	22		
F	material: inside/outside	304		surface: inside/outside	BA		inch / lb				scale	
				revisions-no.		 NORTH AMERICAN KITCHEN SOLUTIONS INCORPORATED				format		
					date					name	description	
					drawn by			code				sheet
					checked by							SWNAKSØ-87EA
				approved by			drawing no.					
				modified by								

1 2 3 4

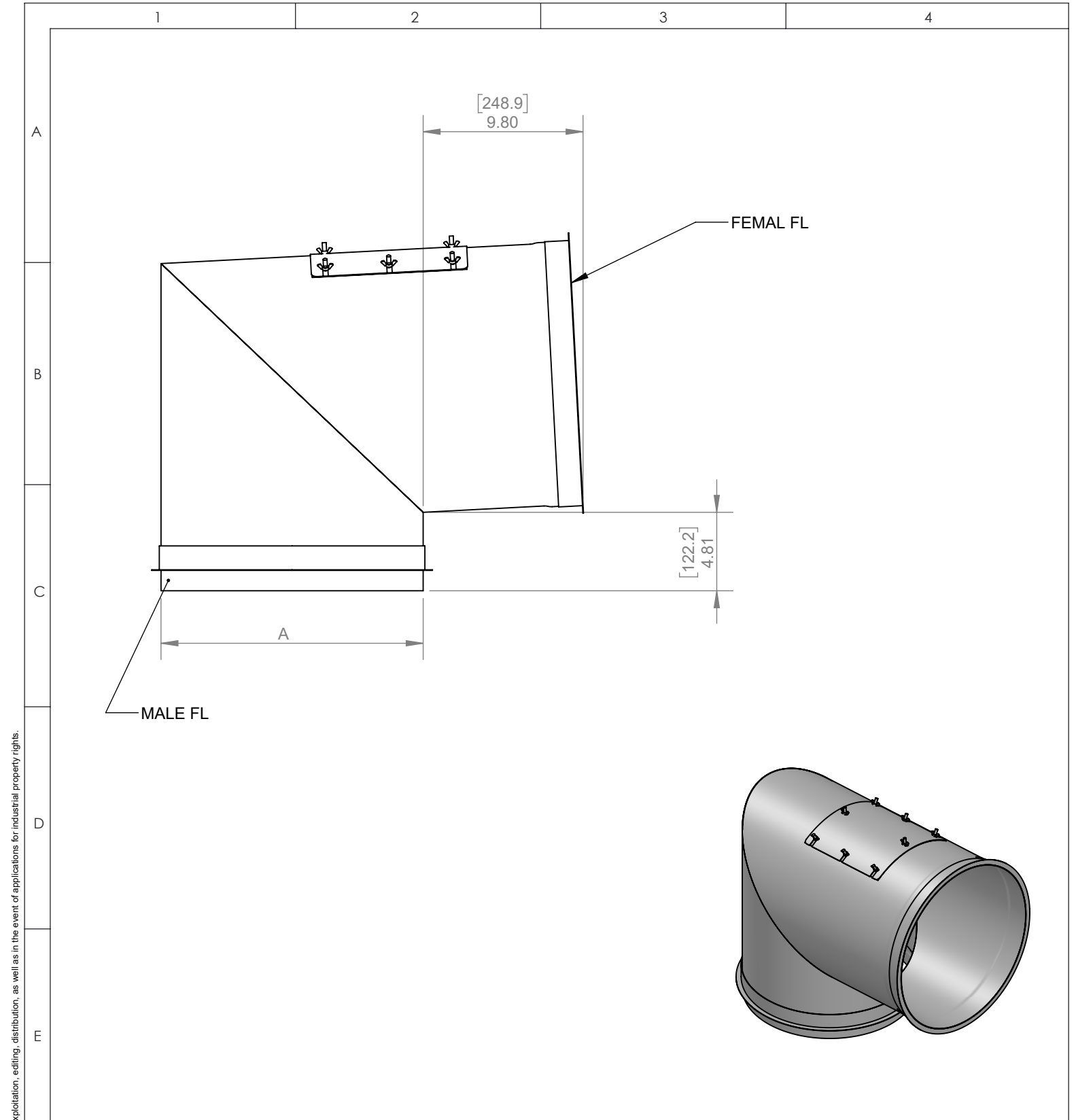
A
B
C
D
E
F



Ø	18	20	22
A	18	20	22
C	12	14	16
D	17.21	18.16	19.11
E	16.96	18.02	19.07
lb	20.9	24.62	28.41

material: inside/outside	surface: inside/outside	inch / lb			 NORTH AMERICAN KITCHEN SOLUTIONS INCORPORATED	scale 1:8
		revisions-no.				description 87° Bull Head Tee
F	date		name	code SWNAKSØ-87BHTØ	drawing no.	sheet 1 of 1
	drawn by	12/20/2018	DAR			
	checked by					
	approved by					
UL-no.	modified by	3/18/2019	DAR			

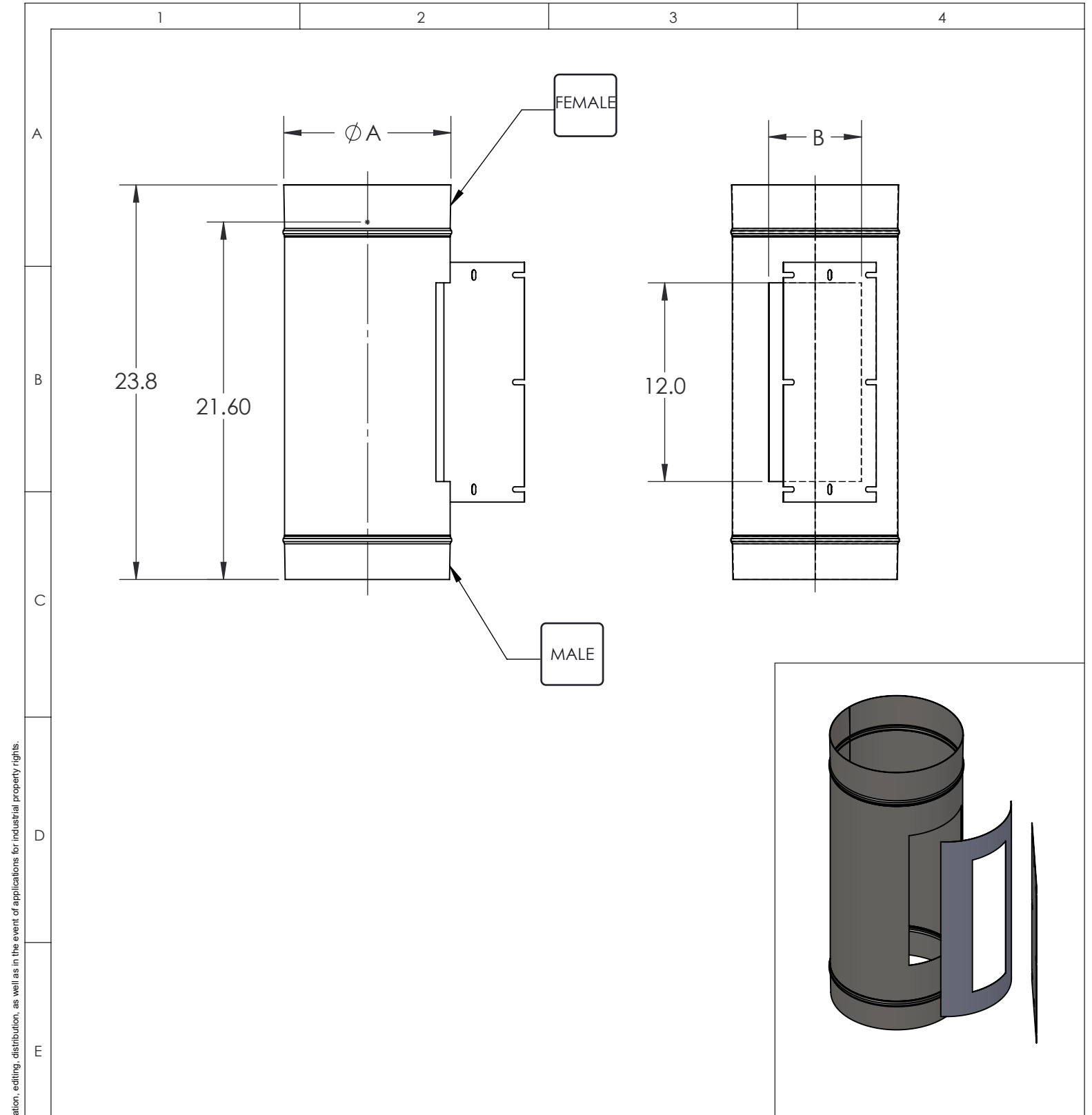
© NAKS Inc. All rights reserved, also regarding any disposal, exploitation, editing, distribution, as well as in the event of applications for industrial property rights.



© NAKS Inc. All rights reserved, also regarding any disposal, exploitation, editing, distribution, as well as in the event of applications for industrial property rights.

Ø		18		20		22		
A		18		20		22		
material: inside/outside		surface: inside/outside		inch / lb				scale
304		BA		revisions-no.				format
				date	name	description 87 Degree Elbow w/ Access		US LETTER
				drawn by				sheet
				checked by				
				approved by		code SWNAKSØ-87EA		
				modified by		drawing no.		



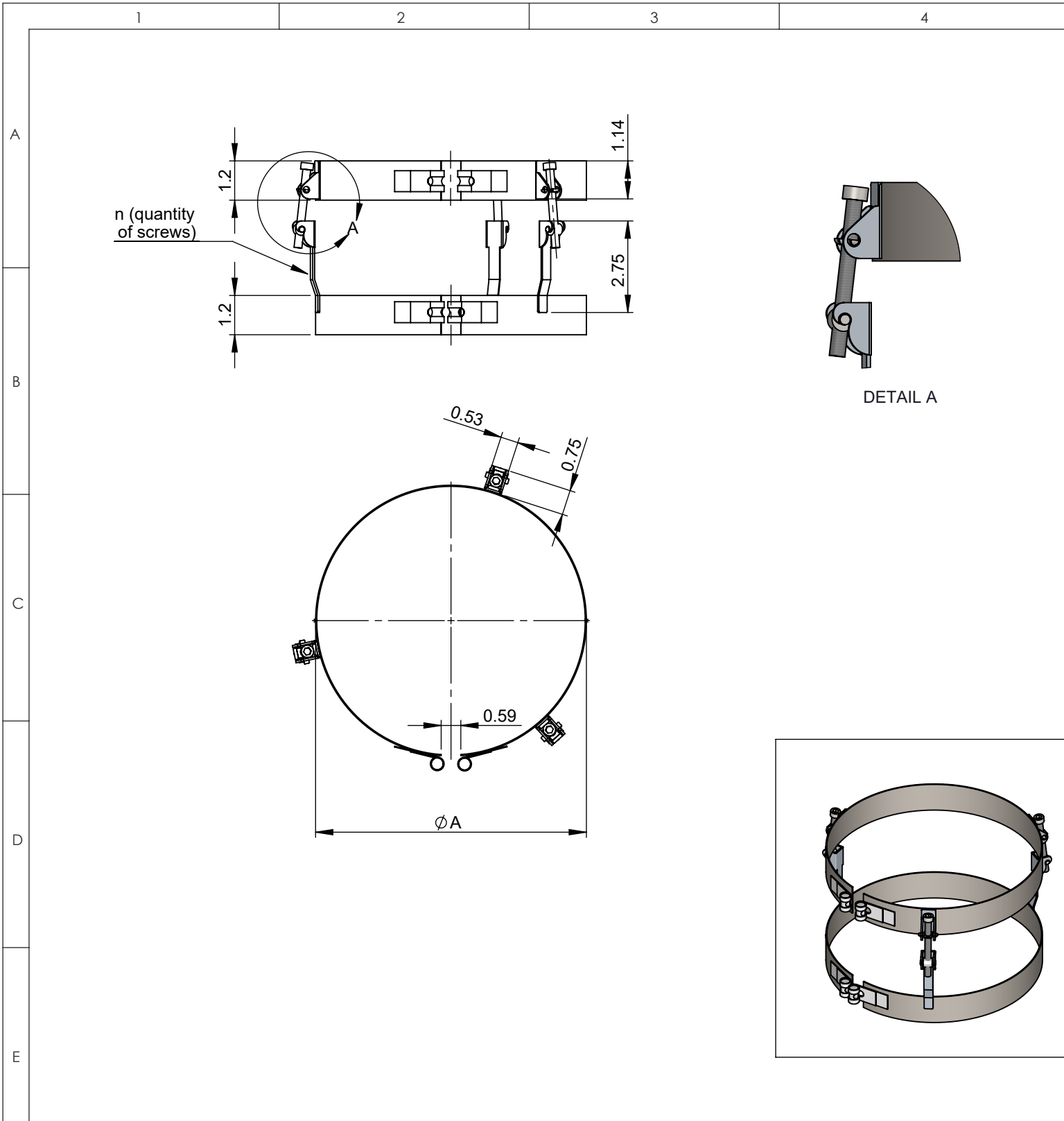


© NAKS Inc. All rights reserved, also regarding any disposal, exploitation, editing, distribution, as well as in the event of applications for industrial property rights.

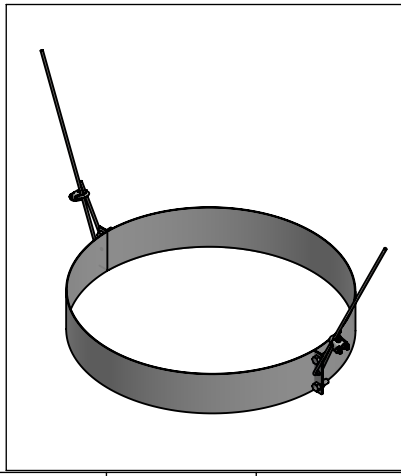
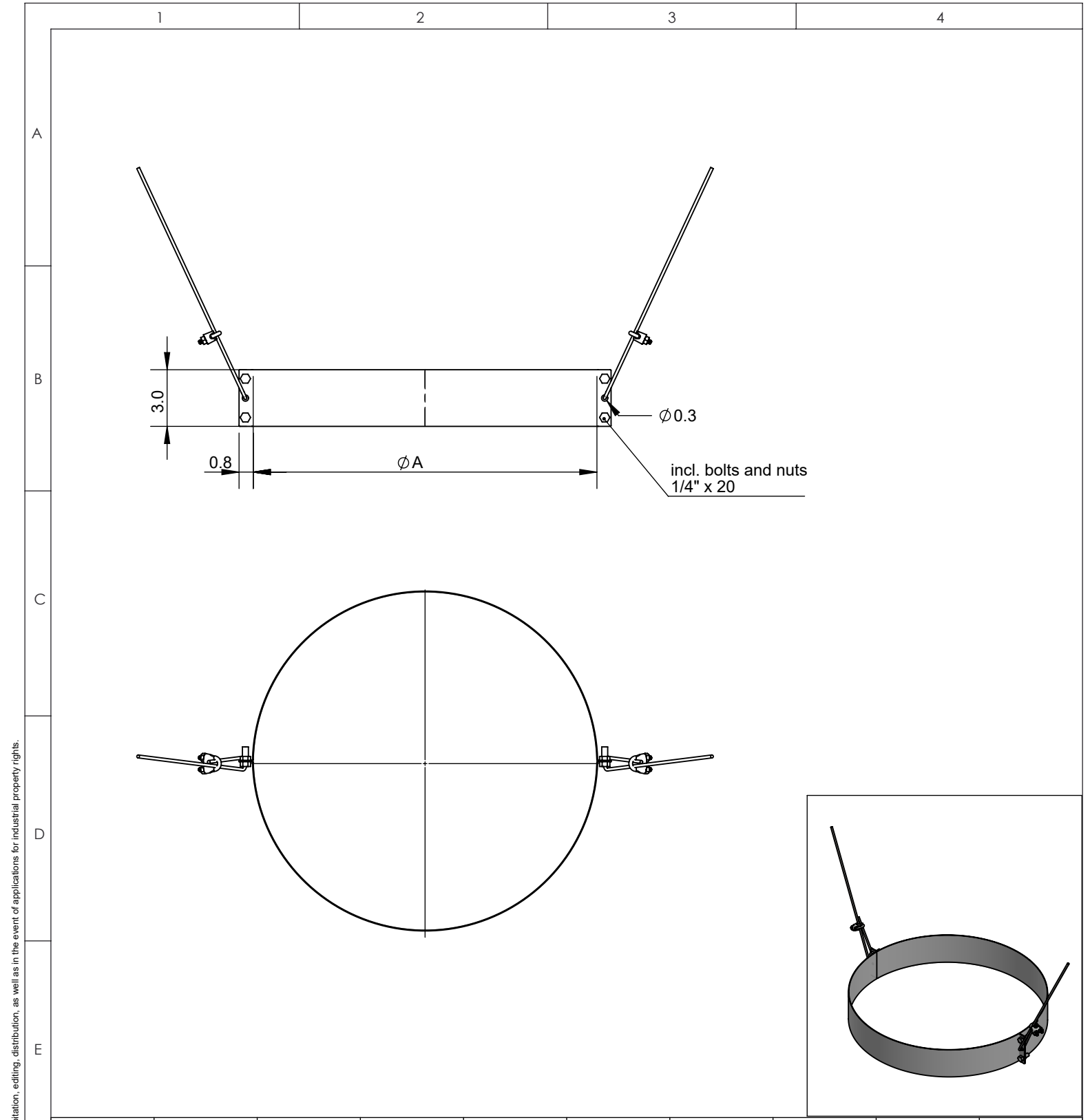
	Ø	10	11	12	13	14	16	18	20	22	
	A	10	11	12	13	14	16	18	20	22	
material: inside/outside	304	surface: inside/outside	BA	inch / lb							scale
				revisions-no.							
F				date	name	description				format	
				drawn by		Inline Access Door				US LETTER	
				checked by						sheet	
				approved by		code					
				modified by		SWNAKSØ-IAD					
						drawing no.					




© NAKS Inc. All rights reserved, also regarding any disposal, exploitation, editing, distribution, as well as in the event of applications for industrial property rights.



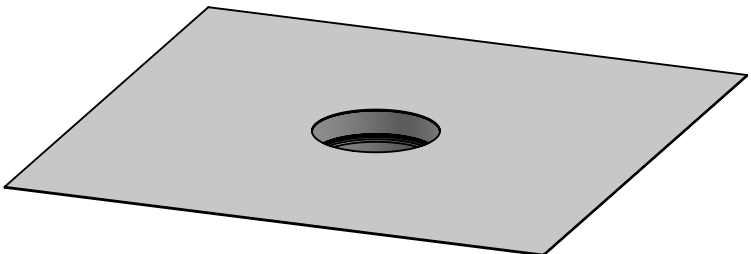
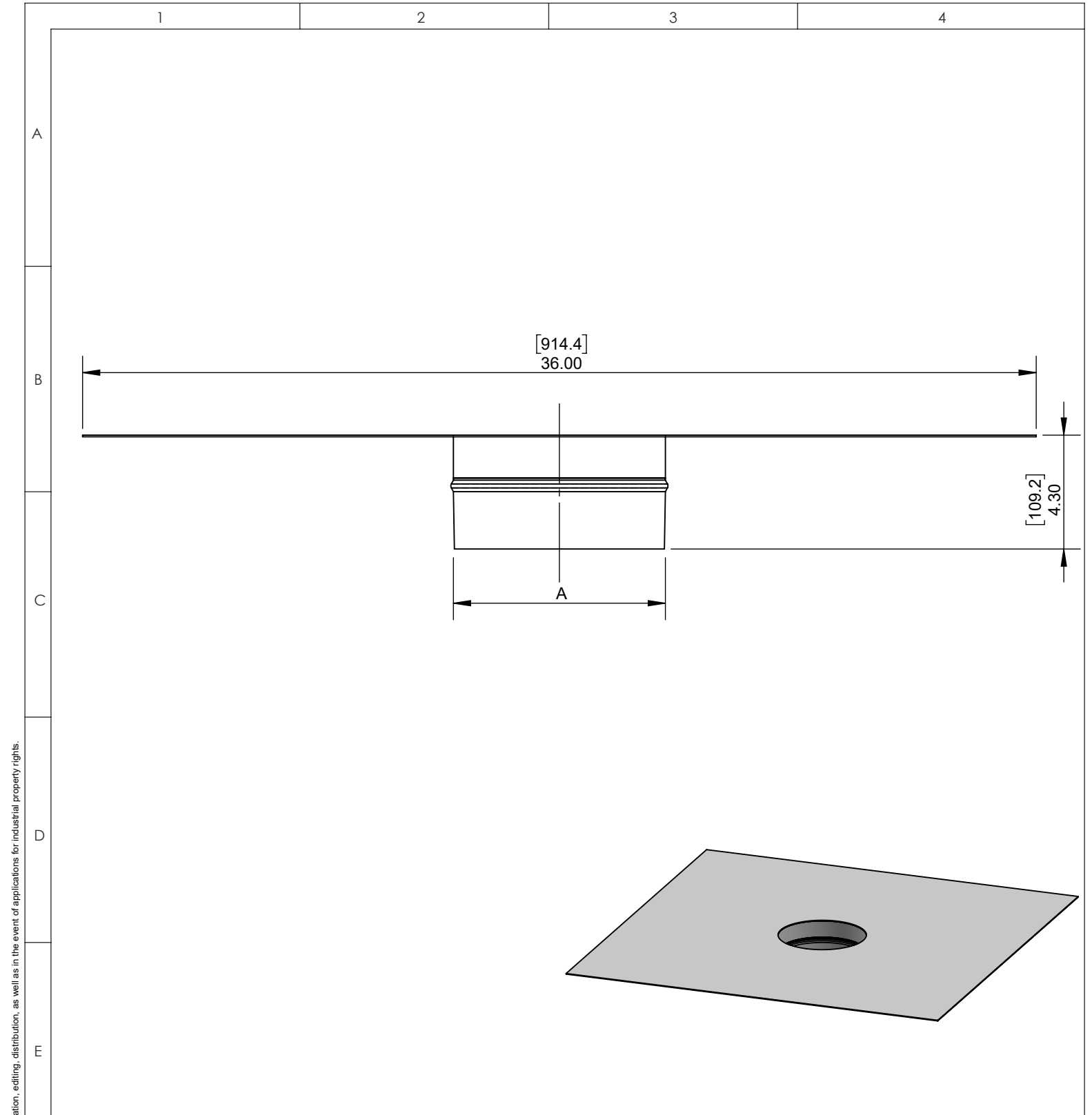
\emptyset	10	11	12	13	14	16	18	20	22					
A	10	11	12	13	14	16	18	20	22					
material: inside/outside	304	surface: inside/outside	BA	inch / lb						scale				
		revisions-no.		A						format	US LETTER			
				date	name	description				sheet				
				drawn by		code								
				checked by							SWNAKSØ-KLC			
				approved by										
				modified by										





Ø	10	11	12	13	14	16	18	20	22
A	10	11	12	13	14	16	18	20	22

material: inside/outside	304	surface: inside/outside	BA	inch / lb		 NORTH AMERICAN KITCHEN SOLUTIONS INCORPORATED	scale
				revisions-no.	A		format US LETTER
F	description		date	name	Light Support Band		sheet
	drawn by				code	SWNAKSØ-LSB	
	checked by						drawing no.
	approved by						
modified by							

© NAKS Inc. All rights reserved, also regarding any disposal, exploitation, editing, distribution, as well as in the event of applications for industrial property rights.



Ø	10	11	12	13	14	16	18	20	22
A	10	11	12	13	14	16	18	20	22

F	material: inside/outside	304	surface: inside/outside	BA	inch / lb				 NORTH AMERICAN KITCHEN SOLUTIONS INCORPORATED	scale
	revisions-no.									format
					date	name		description		US LETTER
					drawn by					sheet
					checked by					code
				approved by			SWNAKSØ-FPE:36x36			
				modified by			drawing no.			

© NAKS Inc. All rights reserved, also regarding any disposal, exploitation, editing, distribution, as well as in the event of applications for industrial property rights.