

1

2

3

4

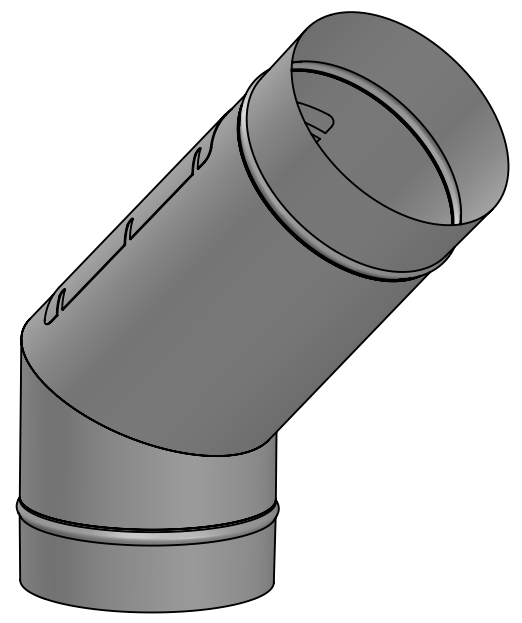
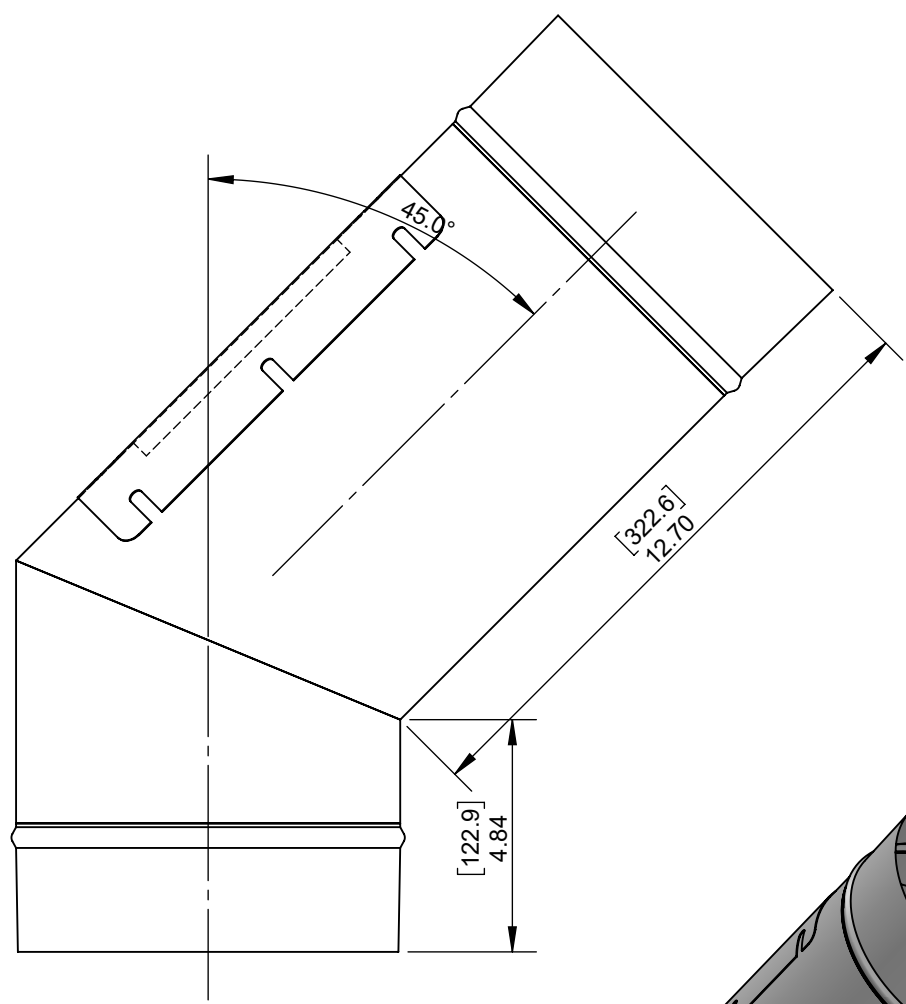
A

B

C

D

E



© NAKS Inc. All rights reserved, also regarding any disposal, exploitation, editing, distribution, as well as in the event of applications for industrial property rights.

Ø	10	11	12	13	14	16	18	20	22	
A	10	11	12	13	14	16	18	20	22	
material: inside/outside	304	surface: inside/outside	BA	inch / lb						scale
				revisions-no.						format
F				date	name	description				sheet
						45 Degree Elbow w/ Access				
						code				
						SWNAKSØ-45EA				
						drawing no.				