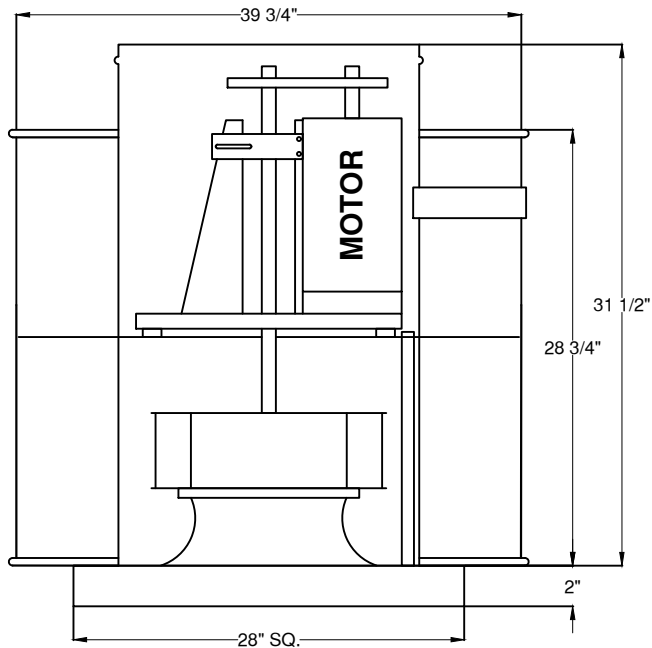
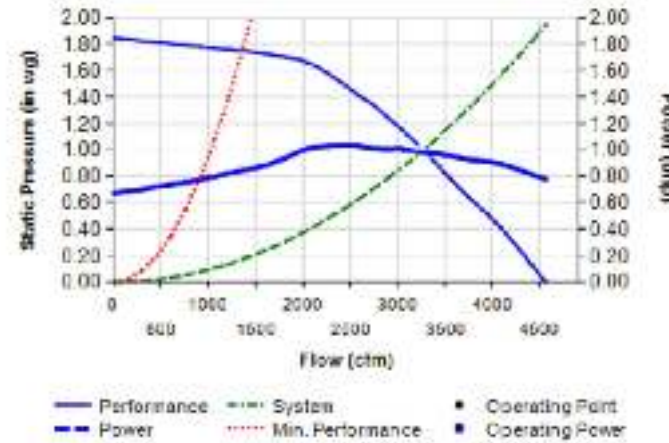


MODEL# 52B
UL762 UPBLAST EXHAUST FAN
BELT DRIVE



DIMENSIONAL DATA
26 1/2" SQ. CURB



PERFORMANCE DATA

PHASE	1	VOLTS	115/230
AMPS	13/6.5	HP	1-1/2

RPM	.000" S.P.		.250" S.P.		.50" S.P.		.75" S.P.		1.00" S.P.		1.25" S.P.		1.50" S.P.		1.75" S.P.		2.00" S.P.	
	CFM	Sone	CFM	Sone	CFM	Sone	CFM	Sone	CFM	Sone	CFM	Sone	CFM	Sone	CFM	Sone	CFM	Sone
1034	3828	15.6	3494	15.7	3060	15.7	2665	15.0	2185	15.0	-	-	-	-	-	-	-	-
1231	4557	18.5	4277	18.3	3960	17.3	3590	16.5	3266	15.8	2897	15.0	2440	14.1	-	-	-	-
1432	5301	23.0	5060	22.0	4819	22.0	4510	21.0	4193	21.0	3917	21.0	3613	22.0	3296	20.0	2888	19.8

STANDARD FEATURES

- HEAVY GAUGE ALUMINUM HOUSING
- 1 YEAR LIMITED WARRANTY ON ALL ELECTRIC MOTORS
- FACTORY SET DRIVE
- BELT DRIVEN MOTORS ARE ENCLOSED IN WEATHER-TIGHT COMPARTMENTS
- AVERAGE UNIT WEIGHT: 163 LBS
- AVERAGE SHIPPING WEIGHT: 240 LBS



LISTED

FANS
UL 762

11050 1/20