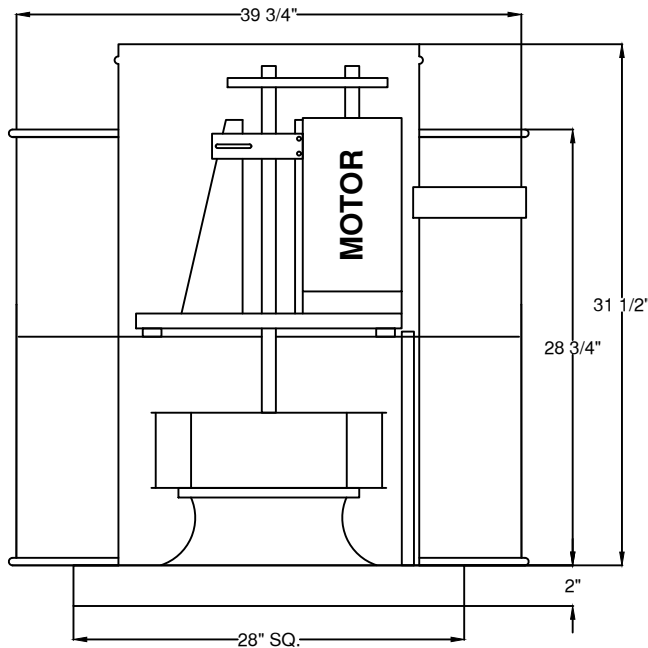
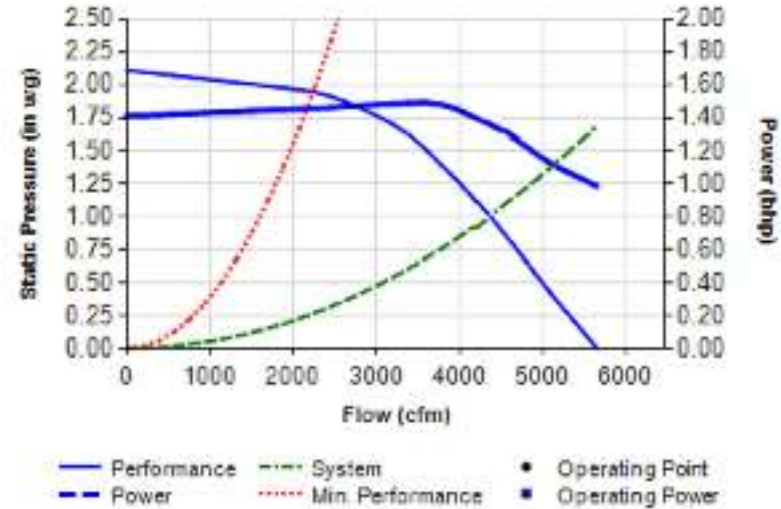


MODEL# 72B
UL762 UPBLAST EXHAUST FAN
BELT DRIVE



DIMENSIONAL DATA
26 1/2" SQ. CURB



PERFORMANCE DATA

| | | | |
|--------------|-----------|--------------|---------|
| PHASE | 1 | VOLTS | 115/230 |
| AMPS | 24.6/12.0 | HP | 2 |

| RPM | .000" S.P. | | .250" S.P. | | .50" S.P. | | .75" S.P. | | 1.000" S.P. | | 1.25" S.P. | | 1.50" S.P. | | 1.75" S.P. | | 2.00" S.P. | | 2.25" S.P. | |
|------|------------|------|------------|------|-----------|------|-----------|------|-------------|------|------------|------|------------|------|------------|------|------------|------|------------|------|
| | CFM | Sone | CFM | Sone | CFM | Sone | CFM | Sone | CFM | Sone | CFM | Sone | CFM | Sone | CFM | Sone | CFM | Sone | CFM | Sone |
| 1117 | 4941 | 18.7 | 4559 | 18.2 | 4199 | 20 | 3829 | 16.3 | 3428 | 15.0 | 2927 | 13.7 | - | - | - | - | - | - | - | - |
| 1278 | 5654 | 23 | 5319 | 24 | 4994 | 26 | 4687 | 21 | 4355 | 18.3 | 4005 | 17.7 | 3596 | 17.5 | 3046 | 17.3 | - | - | - | - |
| 1496 | 6618 | 29 | 6332 | 28 | 6047 | 26 | 5778 | 26 | 5515 | 25 | 5242 | 25 | 4943 | 25 | 4643 | 25 | 4290 | 24 | 3902 | 24 |

STANDARD FEATURES

- HEAVY GAUGE ALUMINUM HOUSING
- 1 YEAR LIMITED WARRANTY ON ALL ELECTRIC MOTORS
- FACTORY SET DRIVE
- BELT DRIVEN MOTORS ARE ENCLOSED IN WEATHER-TIGHT COMPARTMENTS
- AVERAGE UNIT WEIGHT: 174 LBS
- AVERAGE SHIPPING WEIGHT: 255 LBS



LISTED

FANS

UL 762

11054 1/20