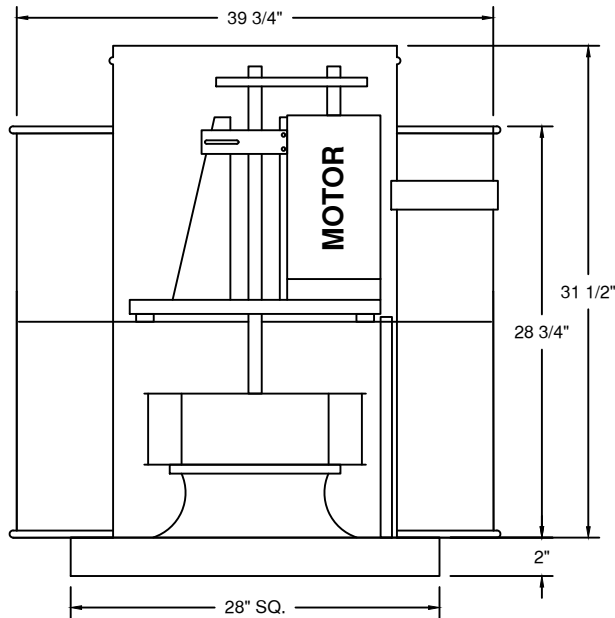
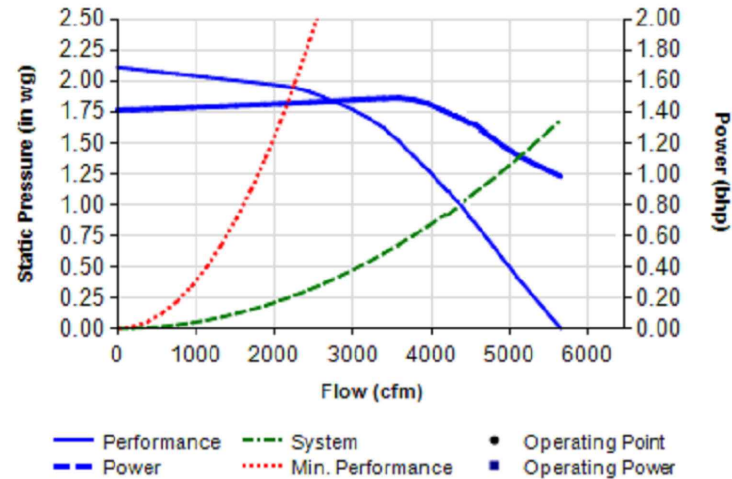


MODEL# 72B
UL762 UPBLAST EXHAUST FAN
BELT DRIVE



DIMENSIONAL DATA
26 1/2" SQ. CURB



PERFORMANCE DATA

PHASE	3	VOLTS	230/460
AMPS	6.0/3.0	HP	2

RPM	.000" S.P.		.250" S.P.		.50" S.P.		.75" S.P.		1.000" S.P.		1.25" S.P.		1.50" S.P.		1.75" S.P.		2.00" S.P.		2.25" S.P.	
	CFM	Sone	CFM	Sone	CFM	Sone	CFM	Sone	CFM	Sone	CFM	Sone	CFM	Sone	CFM	Sone	CFM	Sone	CFM	Sone
1117	4941	18.7	4559	18.2	4199	20	3829	16.3	3428	15.0	2927	13.7	-	-	-	-	-	-	-	-
1278	5654	23	5319	24	4994	26	4687	21	4355	18.3	4005	17.7	3596	17.5	3046	17.3	-	-	-	-
1496	6618	29	6332	28	6047	26	5778	26	5515	25	5242	25	4943	25	4643	25	4290	24	3902	24

STANDARD FEATURES

- HEAVY GAUGE ALUMINUM HOUSING
- 1 YEAR LIMITED WARRANTY ON ALL ELECTRIC MOTORS
- FACTORY SET DRIVE
- BELT DRIVEN MOTORS ARE ENCLOSED IN WEATHER-TIGHT COMPARTMENTS
- AVERAGE UNIT WEIGHT: 174 LBS
- AVERAGE SHIPPING WEIGHT: 274 LBS



FANS
UL 762