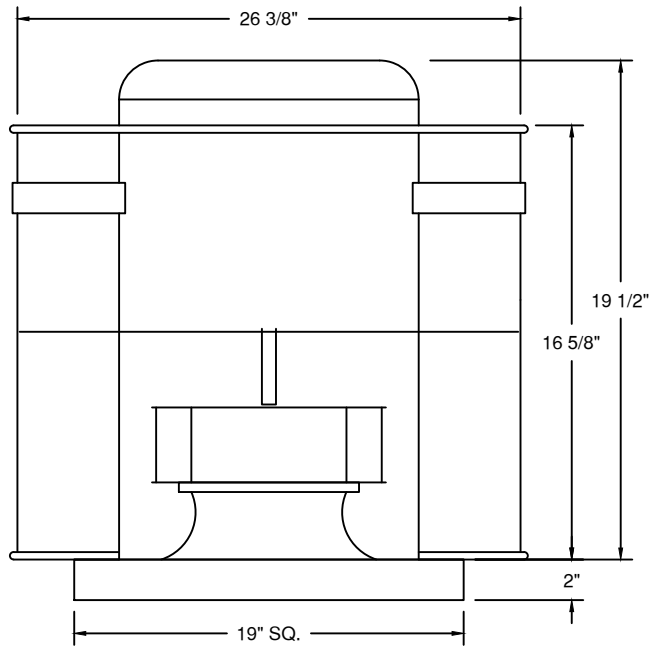
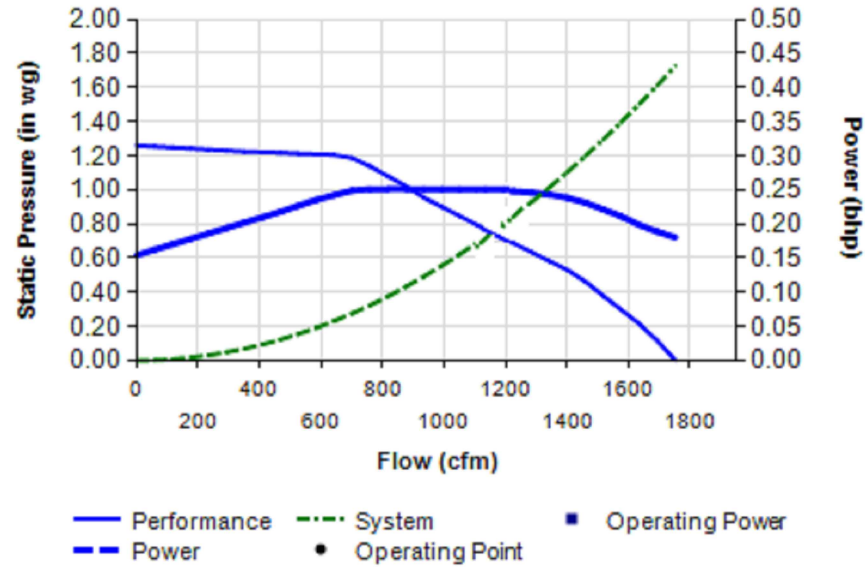


MODEL# **20D**

UL762 UPBLAST EXHAUST FAN DIRECT DRIVE



DIMENSIONAL DATA
17 1/2" SQ. CURB



PERFORMANCE DATA

| | | | |
|-------|-----|-------|-----|
| PHASE | 1 | VOLTS | 115 |
| AMPS | 2.6 | HP | 1/4 |

| RPM | .000" S.P. | | .125" S.P. | | .250" S.P. | | .375" S.P. | | .50" S.P. | | .625" S.P. | | .750" S.P. | |
|------|------------|------|------------|------|------------|------|------------|------|-----------|------|------------|------|------------|------|
| | CFM | Sone | CFM | Sone | CFM | Sone | CFM | Sone | CFM | Sone | CFM | Sone | CFM | Sone |
| 1680 | 1753 | 13.8 | 1689 | 13.7 | 1611 | 13.6 | 1522 | 13.6 | 1433 | 13.5 | 1295 | 13.2 | 1155 | 13.1 |

STANDARD FEATURES

- HEAVY GAUGE ALUMINUM HOUSING
- 1 YEAR LIMITED WARRANTY ON ALL ELECTRIC MOTORS
- FACTORY SET DRIVE
- DIRECT DRIVEN MOTORS ARE ENCLOSED IN WEATHER-TIGHT COMPARTMENTS
- AVERAGE UNIT WEIGHT: 50 LBS
- AVERAGE SHIPPING WEIGHT: 72 LBS



FANS
UL 762