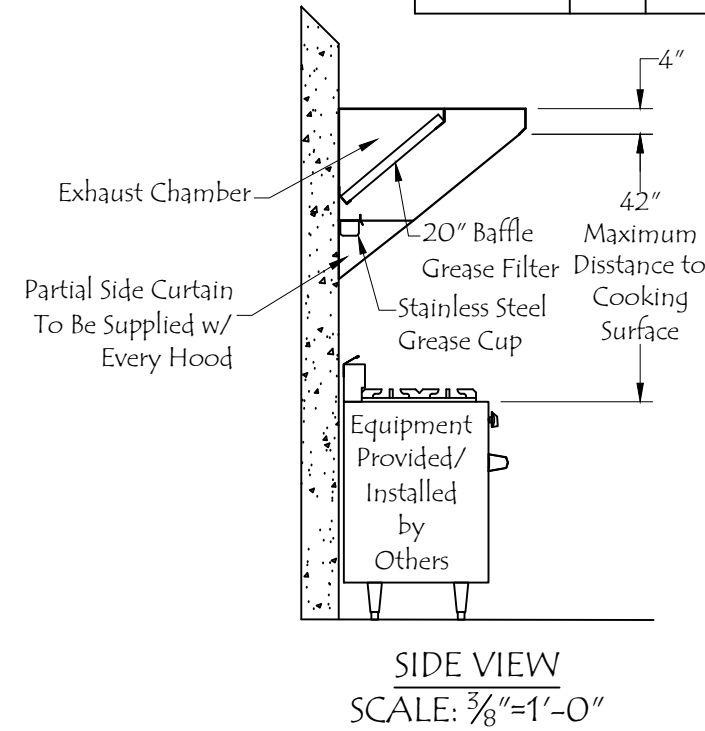
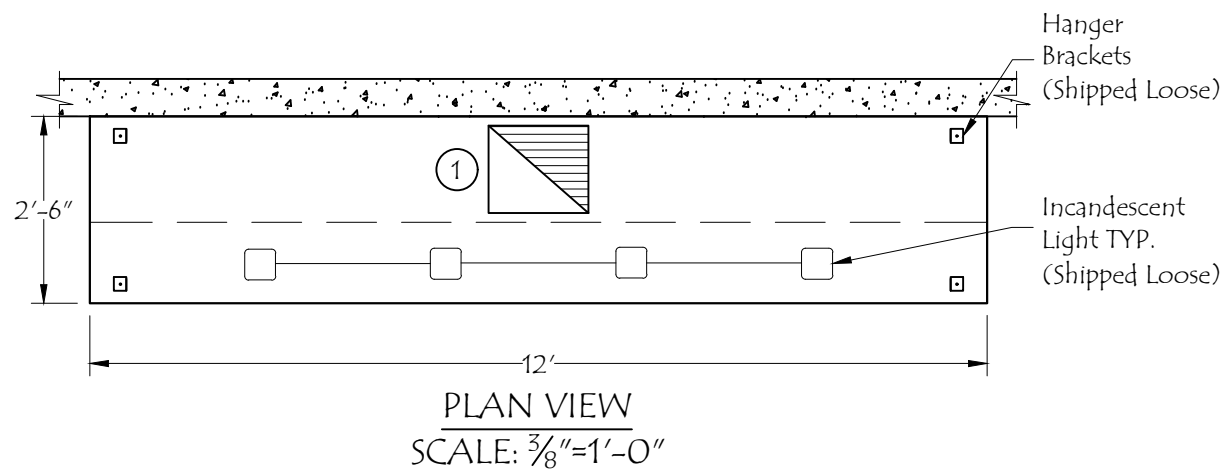


DUCTWORK				
A	B	C	D	QTY.
14"	16"	12"	1"	1

CURBPLATE		
WIDTH	LENG.	QTY.
18"	18"	1

FAN MODEL	A	B	C	D
28D	17 1/2"	17 1/2"	2"	4"

FAN MODEL	A	B	C	D	WT. LBS.
28D	26 1/2"	20 7/8"	16 1/2"	19" SQ.	60 LBS.



***IT IS THE RESPONSIBILITY OF THE ARCHITECT/OWNER TO ENSURE THAT THE HOOD CLEARANCE FROM LIMITED-COMBUSTIBLE MATERIALS IS IN COMPLIANCE WITH LOCAL CODE REQUIREMENTS**

ALL EQUIPMENT IS UL LISTED COMPONENTS

HOODMART HOODS ARE BUILT IN COMPLIANCE WITH :
NFPA #96 & UL710

AND ARE RECOGNIZED BY ONE OR MORE OF THE FOLLOWING:
- NSF INTERNATIONAL -UL

HOOD NO.	MODEL	LENGTH	MAX. COOKING TEMP.	① EXHAUST PLENUM					② SUPPLY PLENUM					HOOD CONSTRUCTION		
				TOTAL EXH. CFM	RISER(S)				TOTAL SUP. CFM	RISER(S)						
				WIDTH	LENG.	QTY.	CFM	S.P.		WIDTH	LENG.	QTY.	CFM	S.P.		
1	EXSS012C 12X30	144"NOM 144"OD	700 Deg.	2400	14"	16"	1	2400	.375"	-	-	-	-	-	-	STAINLESS STEEL

HOOD NO.	FILTER(S)				LIGHT(S)			UTILITY CABINET(S)				EST. HOOD WEIGHT	
	TYPE	QTY.	HEIGHT	LENGTH	TYPE	QTY.	WIRE GUARD	TYPE	SIZE	ELECTRICAL MODEL #	SWITCHES QUANTITY		LOCATION
1	S.S. BAFFLE W/ HANDLES	4	20"	16"	INCANDESCENT LIGHT	4	NO	--	--	--	--	--	250 LBS.

FAN UNIT NO.	FAN UNIT MODEL #	EXHAUST FAN									SUPPLY FAN									
		MODEL	TAG	CFM	S.P.	RPM	H.P.	Ø	VOLT	FLA	BLOWER	HOUSING	TAG	CFM	S.P.	RPM	H.P.	Ø	VOLT	FLA
1	28D EF-1	28D	EF-1	2400	.375"	1625	1/2	1	115	5.6										
2																				



HOODMART.
YOUR ONE STOP HOOD SHOP

172 REASER COURT
ELYRIA, OHIO 44035

TOLL FREE : 1-800-715-1014
FAX: 1-800-716-1214

EQUIPMENT SCHEDULE

CONCESSION CANOPY

CONTRACT NO. - ITEM NO. -

JOB: -
LOC: -
CUST: -
CUST#: -

REVISIONS

REV	DATE	DRWN BY	APP'D BY	REMARKS
-	-	-	-	-

DATE - SCALE AS NOTED
DRAWN BY - APPROVED BY -

DWG#11917

SHT - OF -