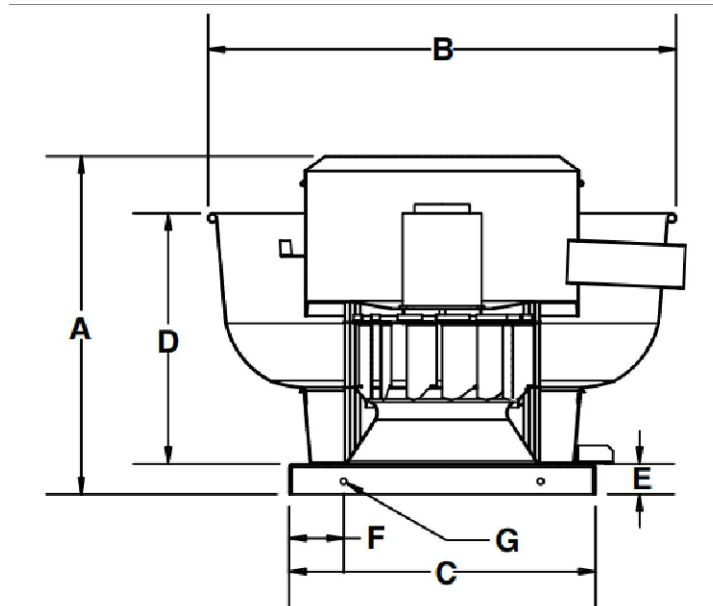


MODEL# **EC28**

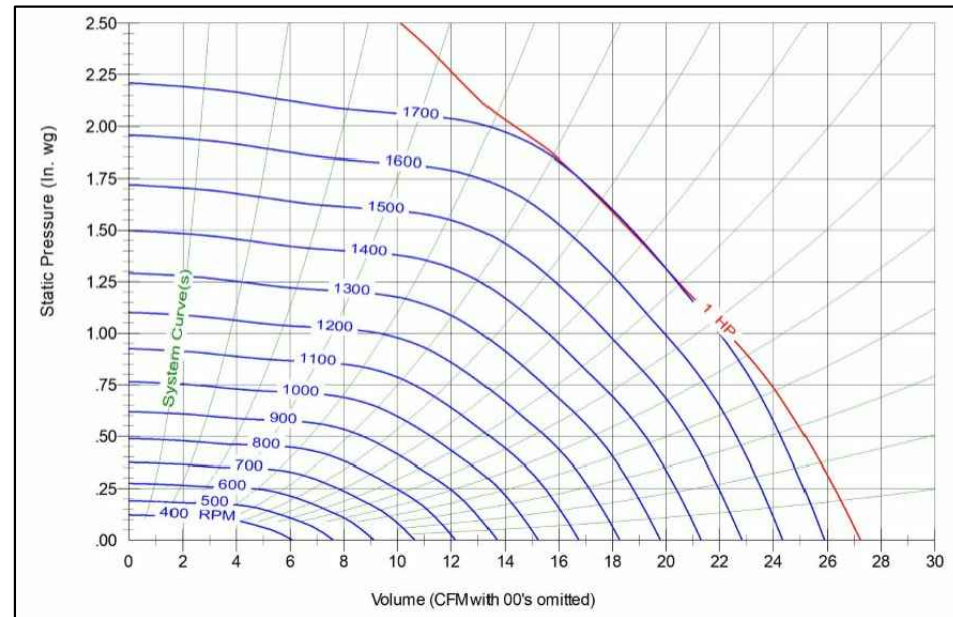
**UL762 UPBLAST EXHAUST FAN
DIRECT DRIVE**



DIMENSIONAL DATA
19-1/2" SQ. CURB

MODEL #	A	B	C	D	E	F	G
EC28	23 1/8"	32 1/8"	21"	17 1/8"	2"	3 3/4"	7 1/16"

PERFORMANCE DATA



PHASE	1	VOLTS	115
AMPS	9.8	HP	1

RPM	.000" S.P.	.250" S.P.	.50" S.P.	.75" S.P.	1.00" S.P.	1.25" S.P.	1.50" S.P.
	CFM	CFM	CFM	CFM	CFM	CFM	CFM
1700	2544	2462	2361	2276	2173	2020	1896

STANDARD FEATURES

- EFFICIENT EC MOTOR WHICH CAN RUN DOWN TO 10% OF SPEED
- HEAVY GAUGE ALUMINUM HOUSING
- 1 YEAR LIMITED WARRANTY ON ALL ELECTRIC MOTORS
- FACTORY SET DRIVE
- DIRECT DRIVEN MOTORS ARE ENCLOSED IN WEATHER-TIGHT COMPARTMENTS
- AVERAGE UNIT WEIGHT: 58 LBS
- AVERAGE SHIPPING WEIGHT: 87 LBS



FANS
UL 762