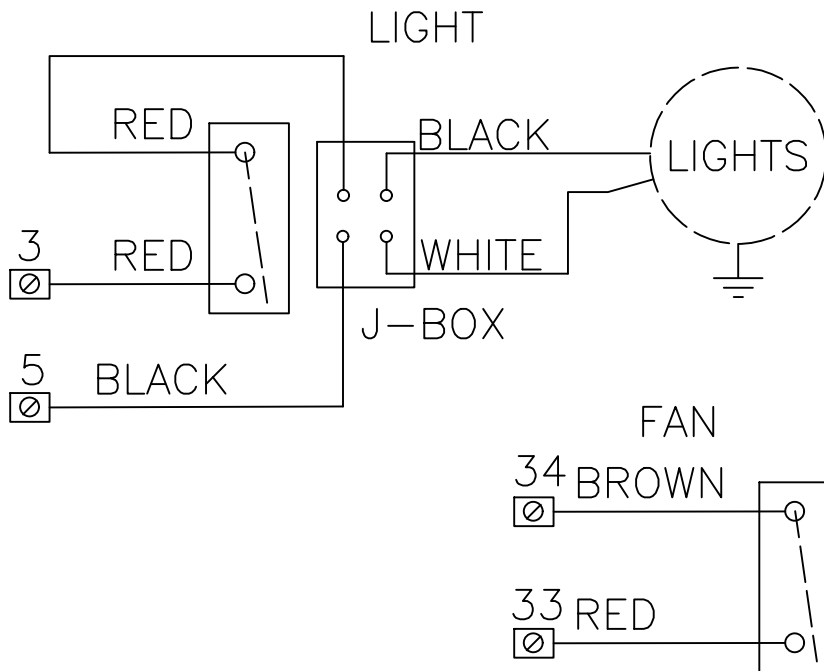
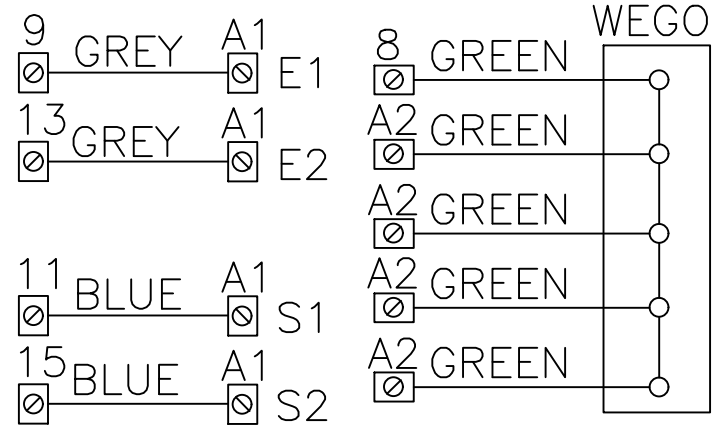


1351 ANSUL WIRE DIAGRAM

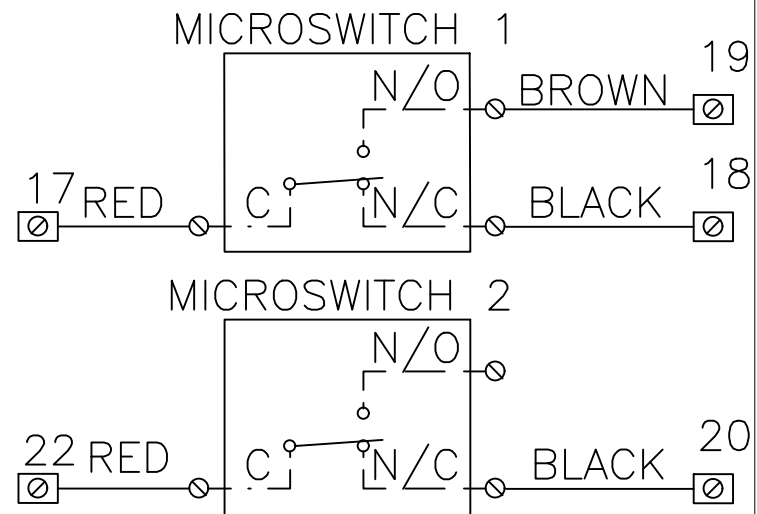
SWITCHES



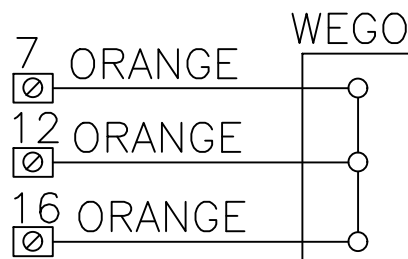
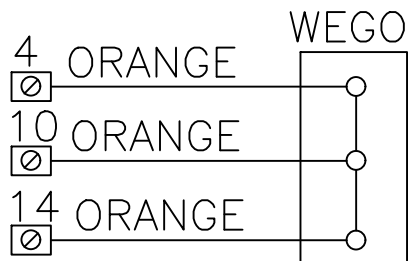
CONTACTORS



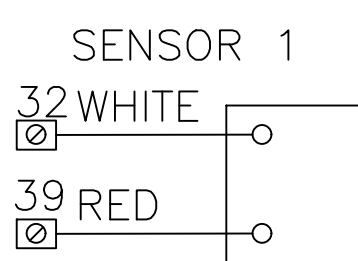
FIRE SYSTEM MICROSWITCH



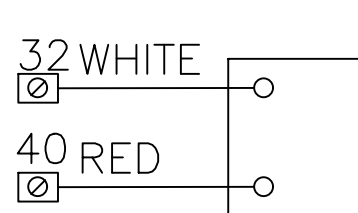
JUMPERS



DUCT SENSOR



SENSOR 2



16 GAUGE WIRE ROUTED IN FLEXIBLE CONDUIT FOR ALL CONNECTION TO AND FROM CONTROL BOX