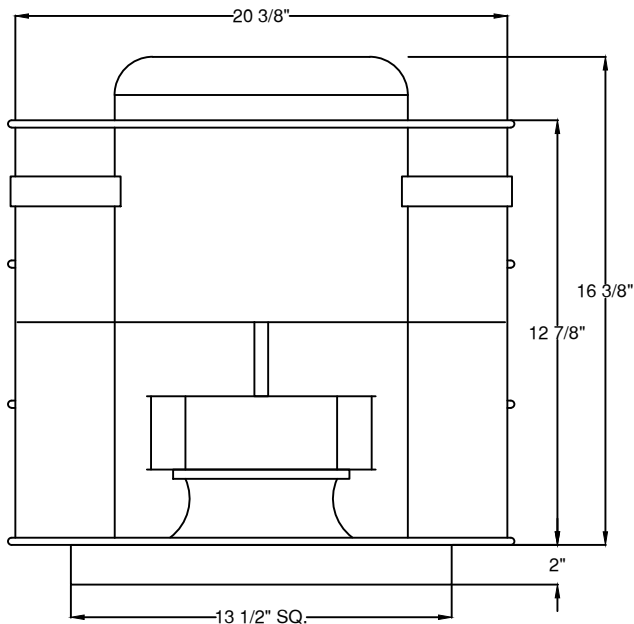
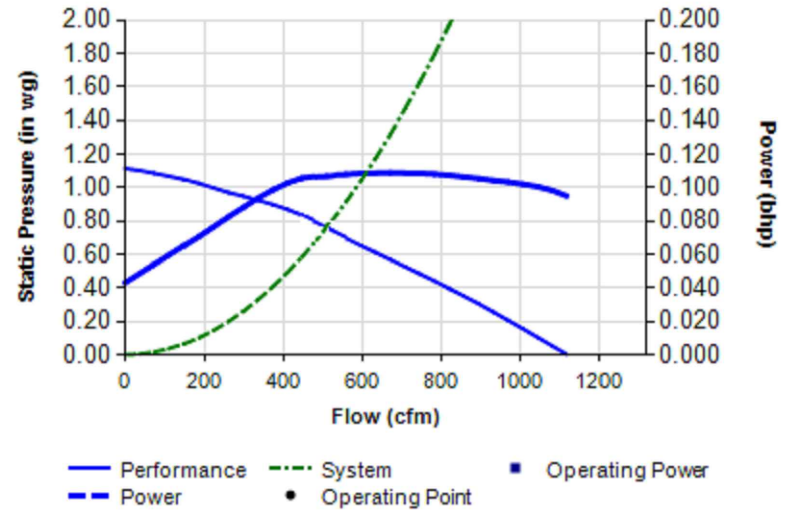


MODEL# 10DS
UL762 UPBLAST EXHAUST FAN
DIRECT DRIVE



DIMENSIONAL DATA
12" SQ. CURB



PERFORMANCE DATA

PHASE	1	VOLTS	115
AMPS	3.3	HP	1/10

RPM	.000" S.P.		.125" S.P.		.250" S.P.		.375" S.P.		.50" S.P.		.625" S.P.		.750" S.P.	
	CFM	Sone	CFM	Sone	CFM	Sone	CFM	Sone	CFM	Sone	CFM	Sone	CFM	Sone
1550	1017	10.1	951	10.2	885	10.6	816	9.6	731	9.5	617	9.5	506	9.5

STANDARD FEATURES
UL762

- HEAVY GAUGE ALUMINUM HOUSING
- 1 YEAR LIMITED WARRANTY ON ALL ELECTRIC MOTORS
- FACTORY SET DRIVE
- DIRECT DRIVEN MOTORS ARE ENCLOSED IN WEATHER-TIGHT COMPARTMENTS
- AVERAGE UNIT WEIGHT: 30 LBS
- AVERAGE SHIPPING WEIGHT: 43 LBS
- MEETS 2009 IBC:SEISMIC



LISTED

FANS
UL 762

14017 1/20