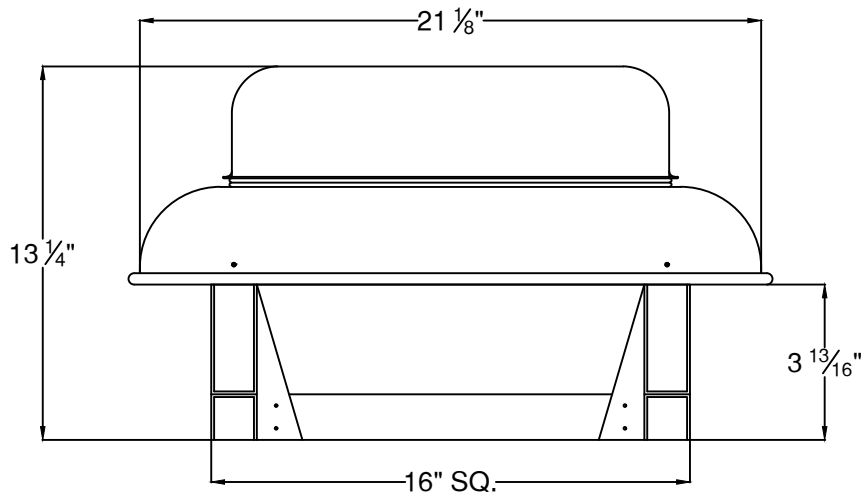
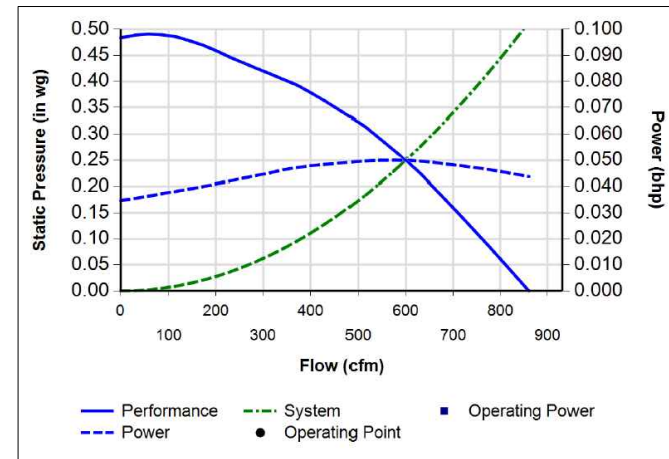


MODEL # 10D-DB

**UL705 DOWNBLAST EXHAUST FAN
DIRECT DRIVE**



DIMENSIONAL DATA
14 1/2" SQ. CURB



PERFORMANCE DATA

PHASE	1	VOLTS	115
AMPS	3	HP	1/10

RPM	.000" S.P.		.125" S.P.		.250" S.P.		.375" S.P.		.50" S.P.		.750" S.P.	
	CFM	Sone	CFM	Sone	CFM	Sone	CFM	Sone	CFM	Sone	CFM	Sone
1550	1090	8.7	990	8.2	890	7.6	780	8.5	650	8.0	210	8.0
1300	910	6.9	790	6.2	670	6.5	510	6.1	270	6.1	-	-
1050	740	5.1	590	4.2	400	4.4	-	-	-	-	-	-
860	600	3.7	420	2.7	-	-	-	-	-	-	-	-

STANDARD FEATURES

- HEAVY GAUGE ALUMINUM HOUSING
- CONDUIT POST THROUGH BASE'S CURB CAP
- ALUMINUM HOOD
- CORROSION RESISTANT FASTENERS
- GALVANIZED BIRD SCREEN
- CENTRIFUGAL BACKWARDLY INCLINED NON-OVERLOADING ALUMINUM
- HOLLOW AIRFOIL BLADES
- DISCONNECT PLUG
- MOTOR BEARINGS ARE PERMANENTLY LUBRICATED
- 2 YEAR FAN/MOTOR WARRANTY
- AVERAGE UNIT WEIGHT: 24 LBS
- AVERAGE SHIPPING WEIGHT: 29 LBS



LISTED

FANS

UL 705

14028 1/20