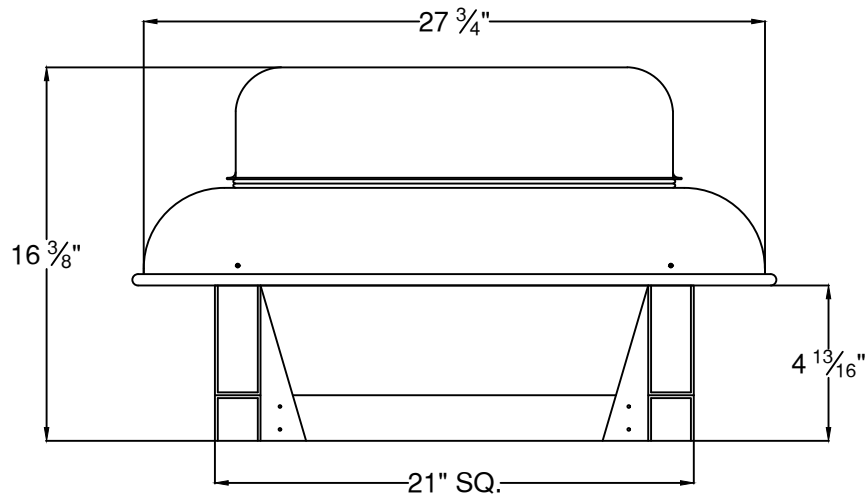
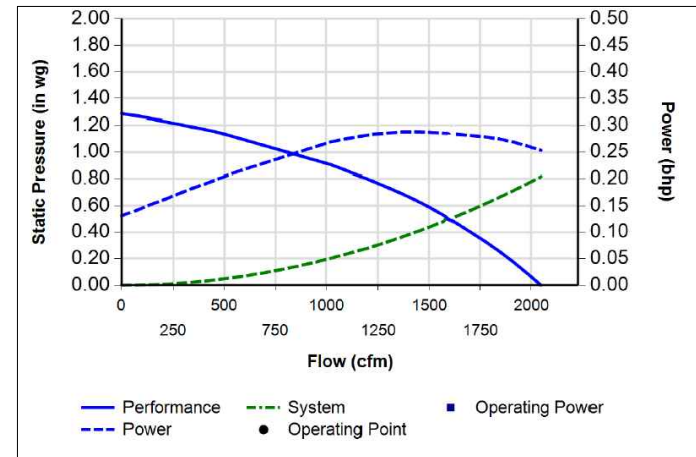


**MODEL # 28D-DB**

**UL705 DOWNBLAST EXHAUST FAN  
DIRECT DRIVE**



**DIMENSIONAL DATA**  
**19 1/2" SQ. CURB**



**PERFORMANCE DATA**

<b>PHASE</b>	1	<b>VOLTS</b>	115
<b>AMPS</b>	6	<b>HP</b>	1/2

RPM	.000" S.P.		.125" S.P.		.250" S.P.		.375" S.P.		.50" S.P.		.750" S.P.		1.000" S.P.	
	CFM	Sone	CFM	Sone	CFM	Sone	CFM	Sone	CFM	Sone	CFM	Sone	CFM	Sone
1725	2160	15.9	2070	15.7	1970	15.0	1860	14.7	1740	14.4	1460	14.2	1090	13.2
1300	1730	11.6	1610	11.1	1480	10.8	1320	10.2	1140	9.9	580	9.4	-	-
1050	1390	8.7	1250	8.2	1060	7.7	810	6.8	430	6.8	-	-	-	-

**STANDARD FEATURES**

- HEAVY GAUGE ALUMINUM HOUSING
- CONDUIT POST THROUGH BASE'S CURB CAP
- ALUMINUM HOOD
- CORROSION RESISTANT FASTENERS
- GALVANIZED BIRD SCREEN
- CENTRIFUGAL BACKWARDLY INCLINED NON-OVERLOADING ALUMINUM HOLLOW AIRFOIL BLADES
- DISCONNECT PLUG
- MOTOR BEARINGS ARE PERMANENTLY LUBRICATED
- 2 YEAR FAN/MOTOR WARRANTY
- AVERAGE UNIT WEIGHT: 44 LBS
- AVERAGE SHIPPING WEIGHT: 53 LBS



**LISTED**

FANS

**UL 705**

14030 1/20