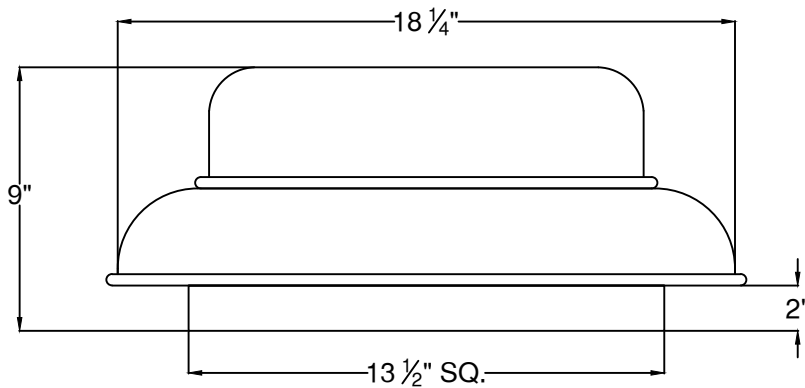
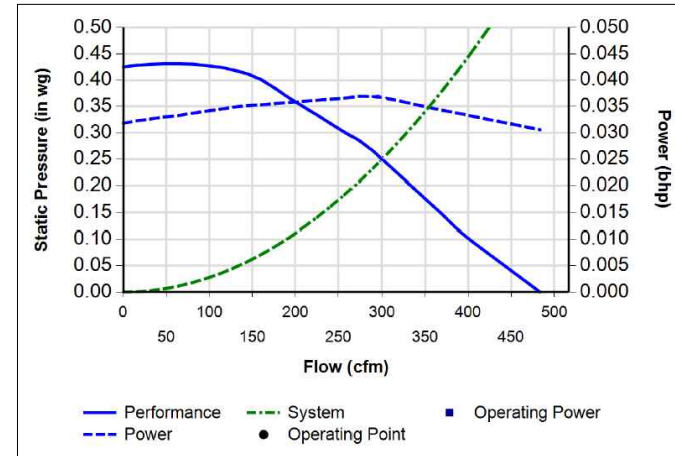


**MODEL # 08D-DB**

**UL705 DOWNBLAST EXHAUST FAN  
DIRECT DRIVE**



**DIMENSIONAL DATA**  
**22 1/2" SQ. CURB**



**PERFORMANCE DATA**

<b>PHASE</b>	1	<b>VOLTS</b>	115
<b>AMPS</b>	3	<b>HP</b>	1/10

RPM	.000" S.P.		.125" S.P.		.250" S.P.		.375" S.P.		.50" S.P.	
	CFM	Sone	CFM	Sone	CFM	Sone	CFM	Sone	CFM	Sone
1725	337	15.1	299	8.3	261	8.4	222	10.0	182	10.8

**STANDARD FEATURES**

- HEAVY GAUGE ALUMINUM HOUSING
- CONDUIT POST THROUGH BASE'S CURB CAP
- ALUMINUM HOOD
- CORROSION RESISTANT FASTENERS
- GALVANIZED BIRD SCREEN
- CENTRIFUGAL BACKWARDLY INCLINED NON-OVERLOADING ALUMINUM HOLLOW AIRFOIL BLADES
- DISCONNECT PLUG
- MOTOR BEARINGS ARE PERMANENTLY LUBRICATED
- 2 YEAR FAN/MOTOR WARRANTY
- AVERAGE UNIT WEIGHT: 22 LBS
- AVERAGE SHIPPING WEIGHT: 26 LBS



**LISTED**

FANS

**UL 705**

14032 1/20